

LeakBreaker® Water Heater Shut-Off

The Taco LeakBreaker® is a water heater leak protection device that protects against flood damage from the containment failure of a water heater. It consists of a control unit, valve with actuator and sensor. This resettable, testable protection device can be installed on any style water heater to shut-off the incoming water supply, preventing additional water flow to a damaged water heater. The multi-color LED light and audible alarm lets you know the status of LeakBreaker at all times.

Featuring **eLink**
Taco Connectivity



LeakBreaker with eLink® uses Wi-Fi® to communicate with the cloud, enabling status alerts to be sent directly to the users whenever a change occurs. eLink, Taco Comfort Solutions' wireless connectivity platform, provides users with real-time product information, direct to their mobile device or desktop.



Installation of the control unit, valve and sensor is a snap.

LeakBreaker is available with and without eLink capability.



Submittal Data Information LeakBreaker® Water Heater Shut Off

Submittal Data # 101-178
Supersedes: 12/09/20

Effective: 01/01/24

Features

- Self-Tests Every Two Weeks
- eLink® sends text and/or email alerts
- WLAN 802.11 — b/g/n Compatible
- Re-Settable and Testable
- Quick Connect Wiring
- Operates on Batteries or Power Supply
 - Power Supply with Battery Backup on eLink Model
- Multi-Color LED Status Light
- Audible Alarm
- Alarm Mute
- 2 N/O; N/C Dry Contacts
- Full Port Valve
- Easy Removable Actuator

Product Specifications

- Max. Shut Off Pressure 100 PSI
- Max. Static Pressure 300 PSI
- Maximum Ambient Temp 135°F
- Service Potable Water (100°F max)
- Flow Coefficient Cv 32 Kv 27.3

Materials

Control Panel High Performance Engineered Polymer

Actuator

Body High Performance Engineered Polymer

Gears High Performance Internally Lubricated Engineered Polymer

Valve

Body Forged Brass

Stem Brass

Ball Brass (Sn-Ni Plated)

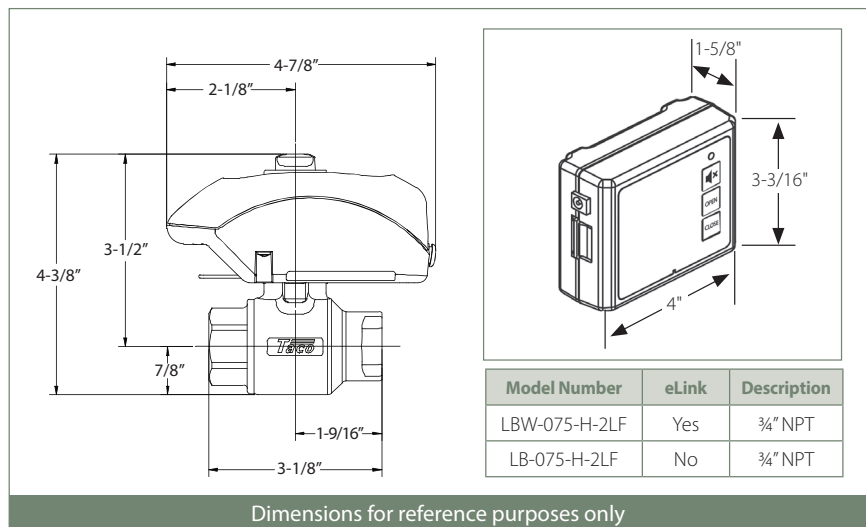
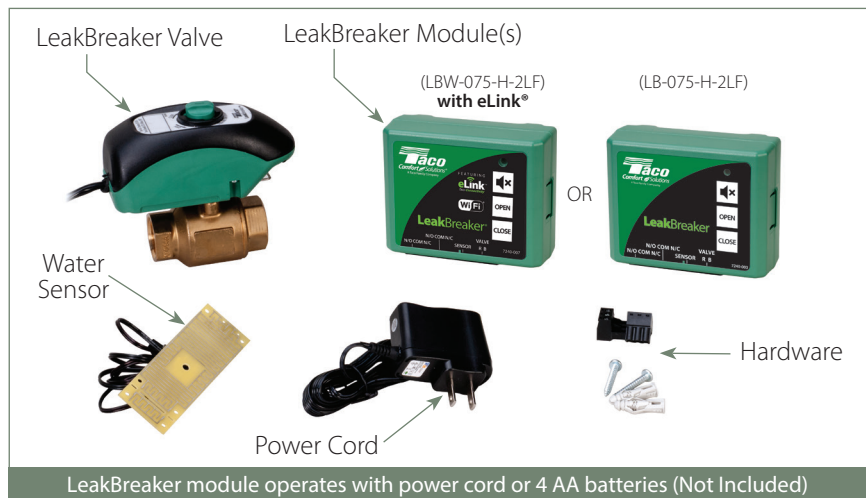
Seats Modified Teflon®

O-Rings Viton®

Application

The Taco LeakBreaker is installed on the incoming cold water supply to the water heater, shutting off the water to a leaking water heater. The plumb and plug design is specifically engineered for use on a new or retrofit installation. Components are pre-wired to simplify the installation process, just plug in the sensor, valve, power supply and/or batteries. LeakBreaker can be tested anytime and then be reset to guard against a future leak.

The LeakBreaker with eLink® technology uses Wi-Fi® to send alerts via email or text. Notifications will be sent when the device detects status changes for the following: alarm activation, AC or battery power, sensor and valve connection, and module connectivity.



Approval



Certified to NSF/ANSI/CAN 61 & 372



Taco Inc., 1160 Cranston Street, Cranston, RI 02920 / (401) 942-8000
Taco (Canada) Ltd., 8450 Lawson Road, Unit #3, Milton, Ontario L9T 0J8 / (905) 564-9422