

# CVAVA

## Evaporator Coil for R-454B Refrigerant Upflow/Downflow – Cooling and Heating Piston Heating Metering Device Only\*

\*Refer to AHRI Directory for Approved Rated Combinations.

### Product Data

**NOTE:** CVAVA V-Coils can only operate with OD Heat Pump installations that have a Piston Heating Metering device. Use of the V-Coil for OD HP installations that do not have a Piston Metering Device are not an approved installation.

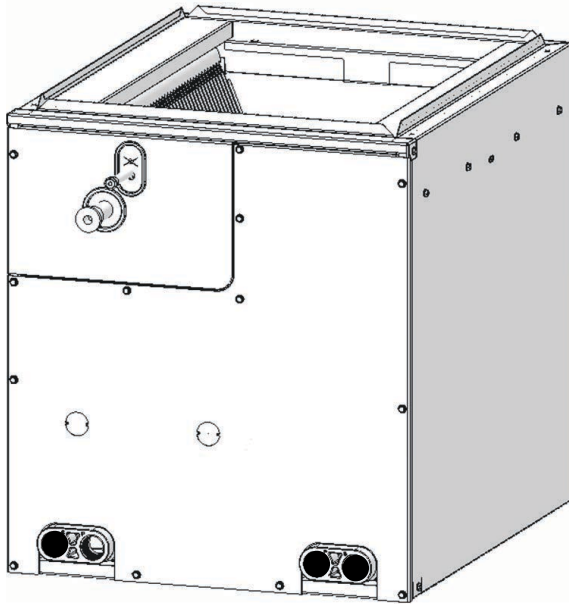


Fig. 1 – Typical Coil

A210758C



A200449GEN

This evaporator coil incorporates proven standards for reliable system operation and performance throughout the life of this product. These quality coils, manufactured and installed as part of a total comfort system, provide AHRI-rated performance ratings and are additionally listed with UL and c-UL.

Available for use in Puron Advance refrigerant only, it is a cased V-coil or slope coil that is housed in a durable, 24-gauge, pre-painted taupe metallic cabinet. The fully insulated cabinet (foil faced with R-2.1 insulation) provides for quiet efficient operation of the evaporator coil.

### DESIGN FEATURES

- Refrigerant leak detection dissipation system for added safety.
- Designed with performance in mind, this new evaporator coil offers lower pressure drops to enhance system performance and airflow characteristics.
- All coils have refrigerant-specific, factory-installed TXVs. All models are factory pre-set to approximately 10° of superheat at the suction service valve.
- The corrosion-resistant drain pan is designed of a “Polybutylene terephthalate” material (PBT) that offers unsurpassed pan strength. It

is engineered with proper slope to help ensure water drainage, improved moisture removal, and home comfort.

- The drain pan is supplied with three water-tight drain plugs to prevent leakage from unused drain connections.
- Provided with industry proven sweat connections for leak-free operation to maintain system reliability. The location of the lineset connections allows for removal of the access door for easy cleaning/servicing of the coils, as well as easy access to the TXV. All models come from the factory with enough length of straight tube to accommodate braze-less compression fittings.
- Meets or exceeds burst pressure of 2100 psi, which is at least three times the maximum operating pressure it would see in actual cooling or heating application.
- This cased coil comes with factory-installed UV knockouts for quick and easy installation of UV lights.
- Comes with a “no delta plate” for easy, quick access to both sides of the coil for service and cleaning. Also, after the door is removed and refrigerant lines disconnected, the coil is removable from the front of the unit without the use of any tools.
- All models are shipped with a complete A2L (R-454B) dissipation system, which is required for installation.

Table 1 – Dissipation Parts List

Component	Location
Refrigerant Sensor	Factory Installed
Sensor Wire Harness	Factory Installed
Leak Dissipation Control Board	Parts Box
Dissipation Board Housing	Parts Box
Power Wire Harness	Parts Box

### WARRANTY

- Default 5-year parts limited warranty:
  - 10-year parts limited warranty with timely registration\*.Equipment must be registered within 90 days of original installation, except in jurisdictions where warranty benefits cannot be conditioned on registration.
- \* Applies to original purchaser/homeowner and not available to subsequent owners, except in jurisdictions where laws dictate otherwise.

See Warranty certificate for complete details and restrictions.

## MODEL NUMBER NOMENCLATURE

**1 2 3 4 5 6 7 8 9 10 11 12**  
**C V A V A 3 6 1 7 X M A**

**Product**  
C = Coil

**Type**  
V = V-Coil

**Refrigerant Type**  
A= Puron Advance Refrigerant (R-454B)

**Coil Configuration**  
V = Upflow/Downflow

**Cabinet Finish**  
A = Major Series

**Variations**  
N/A

**Included Equipment**  
M= with Dissipation

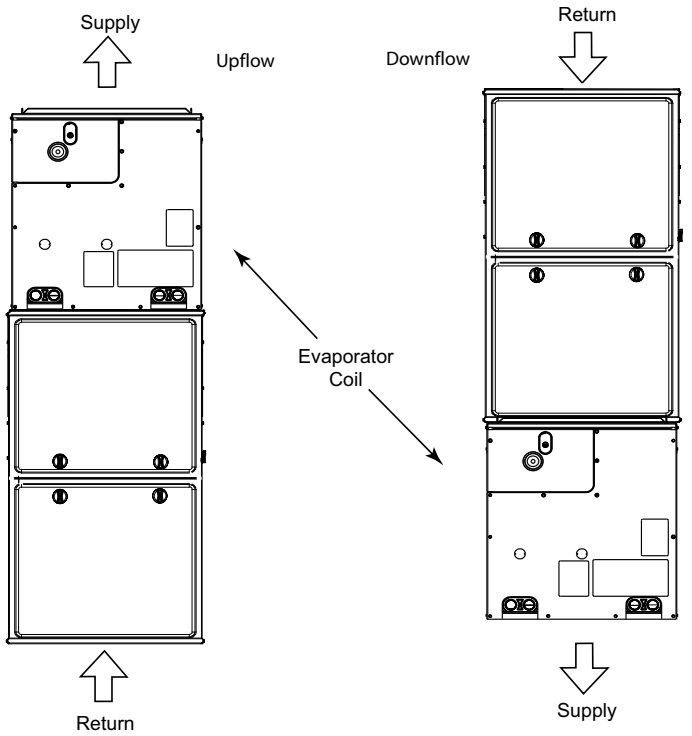
**Metering Device**  
X = TXV

**Cabinet Width (Nom.)**  
14 = 14-in (356 mm)  
17 = 17-in (432 mm)  
21 = 21-in (533 mm)  
24 = 24-in (610 mm)

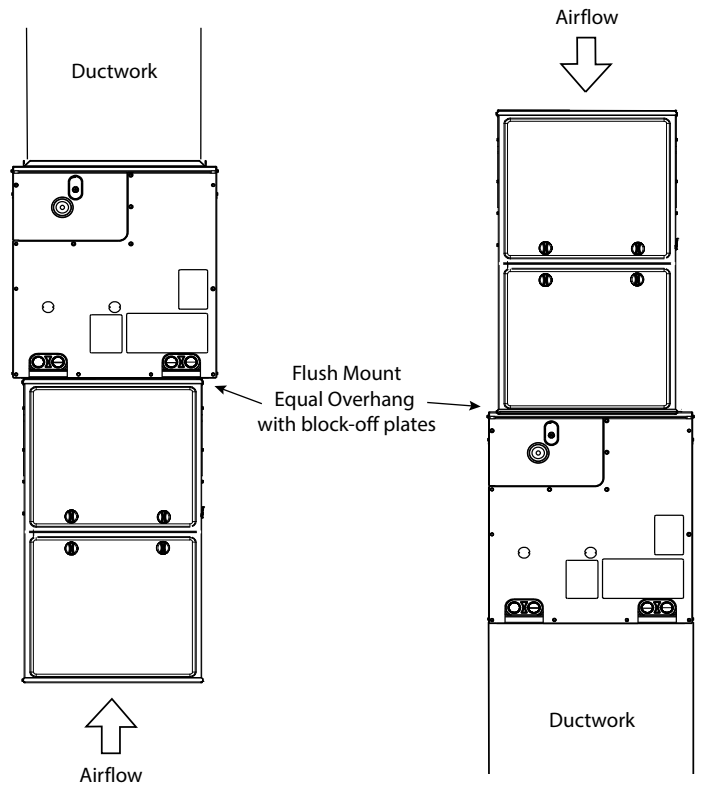
**Unit Capacity (Nom.)**  
18 /19= 1½ Ton  
24/25= 2 Ton  
30/31= 2½ Ton  
36/37= 3 Ton  
42= 3½ Ton  
48/49= 4 Ton  
60/61= 5 Ton

**Table 2 – Coil Connections / Orientations**

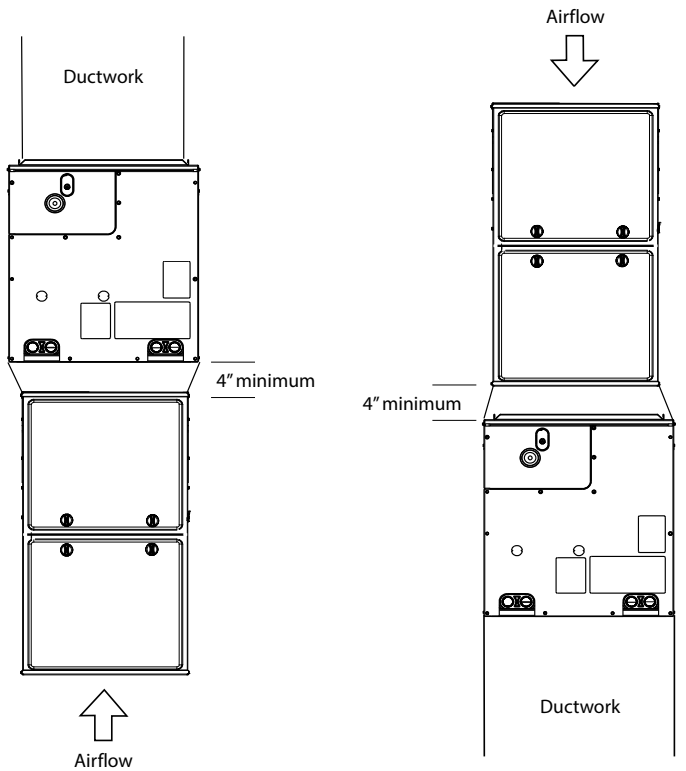
Model	Nom. Tons	Line Set Connection Tube Size, in.		Flush Fit to Furnace Width, in. (mm)	Fits Next Smaller Furnace Width			90° Rotation to Furnace (4" Min. Transition Required)	180° Rotation to Furnace
		Suction	Liquid		Equal Overhang	Offset Left	Offset Right		
CVAVA1814XMA	1.5	5/8	3/8	14-3/16 (360)				<b>ALL</b> Upflow or Downflow	
CVAVA1917XMA	1.5	5/8	3/8	17-1/2 (445)	X	X	X		
CVAVA2414XMA	2	5/8	3/8	14-3/16 (360)					
CVAVA2417XMA	2	5/8	3/8	17-1/2 (445)	X	X	X		
CVAVA2514XMA	2	5/8	3/8	14-3/16 (360)					
CVAVA2517XMA	2	5/8	3/8	17-1/2 (445)	X	X	X		
CVAVA3014XMA	2.5	3/4	3/8	14-3/16 (360)					
CVAVA3017XMA	2.5	3/4	3/8	17-1/2 (445)	X	X	X		
CVAVA3117XMA	2.5	3/4	3/8	17-1/2 (445)	X	X	X		
CVAVA3617XMA	3	3/4	3/8	17-1/2 (445)	X	X	X		
CVAVA3621XMA	3	3/4	3/8	21 (533)	X	X	X		
CVAVA3721XMA	3	3/4	3/8	21 (533)	X	X	X		
CVAVA3817XMA	3	3/4	3/8	17-1/2 (445)	X	X	X		
CVAVA4217XMA	3.5	7/8	3/8	17-1/2 (445)	X	X	X		
CVAVA4221XMA	3.5	7/8	3/8	21 (533)	X	X	X		
CVAVA4224XMA	3.5	7/8	3/8	24-1/2 (622)	X	X	X		
CVAVA4821XMA	4	7/8	3/8	21 (533)	X	X	X		
CVAVA4824XMA	4	7/8	3/8	24-1/2 (622)	X	X	X		
CVAVA4924XMA	4	7/8	3/8	24-1/2 (622)	X	X	X		
CVAVA6021XMA	5	7/8	3/8	21 (533)	X	X	X		
CVAVA6024XMA	5	7/8	3/8	24-1/2 (622)	X	X	X		
CVAVA6121XMA	5	7/8	3/8	21 (533)	X	X	X		
CVAVA6124XMA	5	7/8	3/8	24-1/2 (622)	X	X	X		



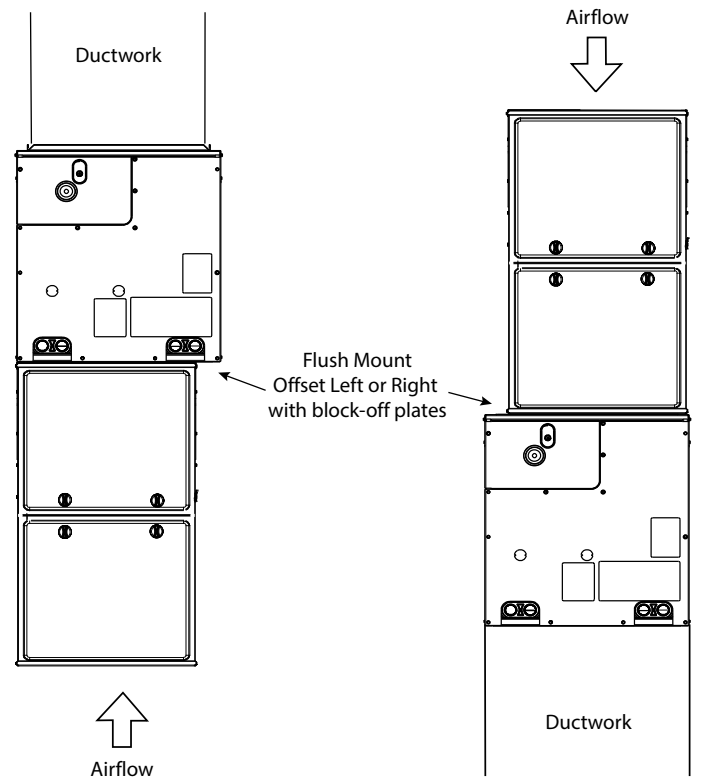
**Fig. 2 – Typical Flush-Fit Coil Installation on Furnace (recommended)** A200227C



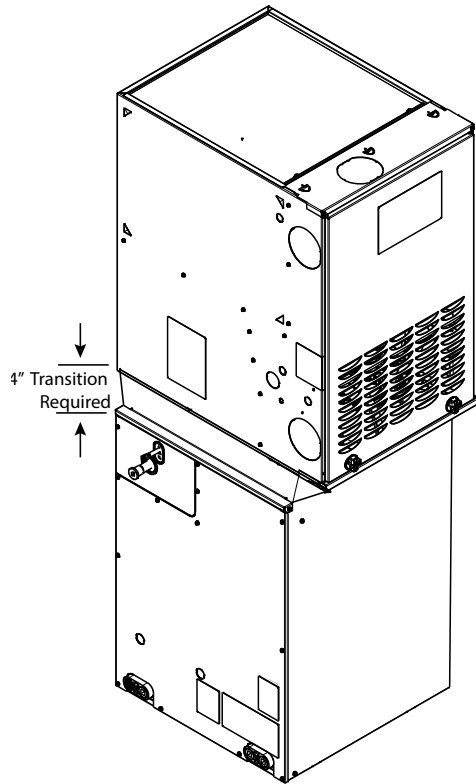
**Fig. 4 – Smaller Furnace, Equal Overhang, Flush Mount (not recommended)** A221112A



**Fig. 3 – Adapter(s) Installation When Coil is Larger than Furnace (recommended)** A200228C

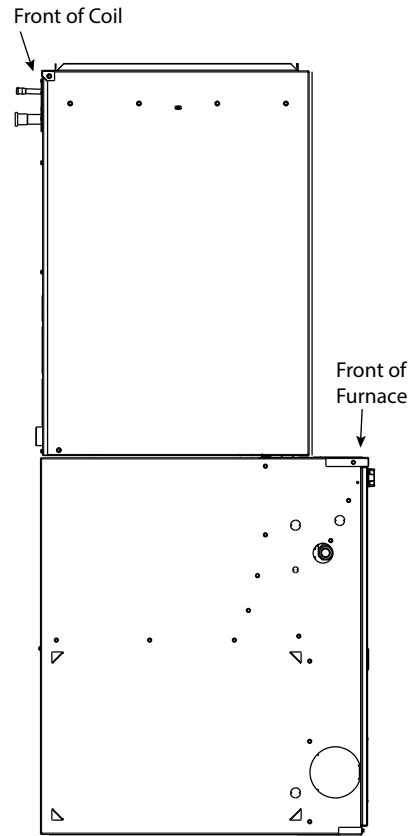


**Fig. 5 – Smaller Furnace, Offset, Flush Mount Right or Left (not recommended)** A221113A



**Fig. 6 – 90° Rotation (shown in downflow)  
4" Transition Required (not recommended)**

A221110A



**Fig. 7 – 180° Rotation (shown in upflow)  
(not recommended)**

A221111

**Table 3 – Accessories**

Part Number	Description
KGADA0101ALL	Coil Adapter Kits - No Offset
KGADA0201ALL	Coil Adapter Kits - Single Offset
KGADA0301ALL	Coil Adapter Kits - Double Offset
ACAWHNDIS01A	Alternate Wire Harness / Relay Kit - Higher Airflow
ACAINTDIS10A	CNN / Communicating Plug (10-pack)

# DIMENSIONS

UNIT	SERIES	A		B (Cabinet Width)		C		D		E		F		H (Suction Line)		OPERATING WEIGHT		SHIPPING WEIGHT		SHIPPING HEIGHT		SHIPPING WIDTH		SHIPPING DEPTH	
		INCH	MM	INCH	MM	INCH	MM	INCH	MM	INCH	MM	INCH	MM	INCH	MM	Lbs	Kgs	Lbs	Kgs	INCH	MM	INCH	MM	INCH	MM
CVAVA 1814XMA	A	14 11/16	372.4	14 3/16	360.4	12 7/16	316.2	13 3/16	335.2	11 5/8	294.8	7 1/8	180.2	5/8	15.9	25.6	11.6	30.0	13.6	16.0	406.4	16.3	414.0	23.8	604.5
CVAVA 1917XMA	A	19 7/16	494.5	17 1/2	444.5	15 3/4	400.3	17 5/16	440.4	15 11/16	398.7	8 3/4	222.3	5/8	15.9	33.2	15.1	39.0	17.7	20.7	525.8	19.6	497.8	23.8	604.5
CVAVA 2414XMA	A	14 11/16	372.4	14 3/16	360.4	12 7/16	316.2	13 3/16	335.2	11 5/8	294.8	7 1/8	180.2	5/8	15.9	25.6	11.6	30.0	13.6	16.0	406.4	16.3	414.0	23.8	604.5
CVAVA 2417XMA	A	14 11/16	372.4	17 1/2	444.5	15 3/4	400.3	13 3/16	335.2	11 5/8	294.8	8 3/4	222.3	5/8	15.9	33.2	15.1	39.0	17.7	16.0	406.4	19.6	497.8	23.8	604.5
CVAVA 2514XMA	A	17 1/16	432.6	14 3/16	360.4	12 7/16	316.2	14 15/16	380.2	14	355.0	7 1/8	180.2	5/8	15.9	28.1	12.7	33.0	15.0	18.4	467.4	16.3	414.0	23.8	604.5
CVAVA 2517XMA	A	19 7/16	494.5	17 1/2	444.5	15 3/4	400.3	17 5/16	440.4	15 11/16	398.7	8 3/4	222.3	5/8	15.9	33.2	15.1	39.0	17.7	20.7	525.8	19.6	497.8	23.8	604.5
CVAVA 3014XMA	A	17 1/16	432.6	14 3/16	360.4	12 7/16	316.2	14 15/16	380.2	14	355.0	7 1/8	180.2	3/4	19.1	28.1	12.7	33.0	15.0	18.4	467.4	16.3	414.0	23.8	604.5
CVAVA 3017XMA	A	19 7/16	494.5	17 1/2	444.5	15 3/4	400.3	17 5/16	440.4	15 11/16	398.7	8 3/4	222.3	3/4	19.1	33.2	15.1	39.0	17.7	20.7	525.8	19.6	497.8	23.8	604.5
CVAVA 3117XMA	A	25 13/16	656.4	17 1/2	444.5	15 3/4	400.3	24 3/16	614.2	22 13/16	578.8	8 3/4	222.3	3/4	19.1	39.0	17.7	46.0	20.9	27.1	688.3	19.6	497.8	23.8	604.5
CVAVA 3617XMA	A	19 7/16	494.5	17 1/2	444.5	15 3/4	400.3	17 5/16	440.4	15 11/16	398.7	8 3/4	222.3	3/4	19.1	33.2	15.1	39.0	17.7	20.7	525.8	19.6	497.8	23.8	604.5
CVAVA 3817XMA	A	29 3/4	755.3	17 1/2	444.5	15 3/4	400.3	27 3/4	704.9	26 11/16	677.7	8 3/4	222.3	3/4	19.1	43.3	19.6	51.0	23.1	31.0	787.4	19.6	497.8	23.8	604.5
CVAVA 4217XMA	A	19 1/4	489.1	17 1/2	444.5	15 3/4	400.3	19 1/8	485.9	18 1/16	459.1	8 3/4	222.3	7/8	22.2	34.0	15.4	40.0	18.1	22.5	571.5	19.6	497.8	23.8	604.5

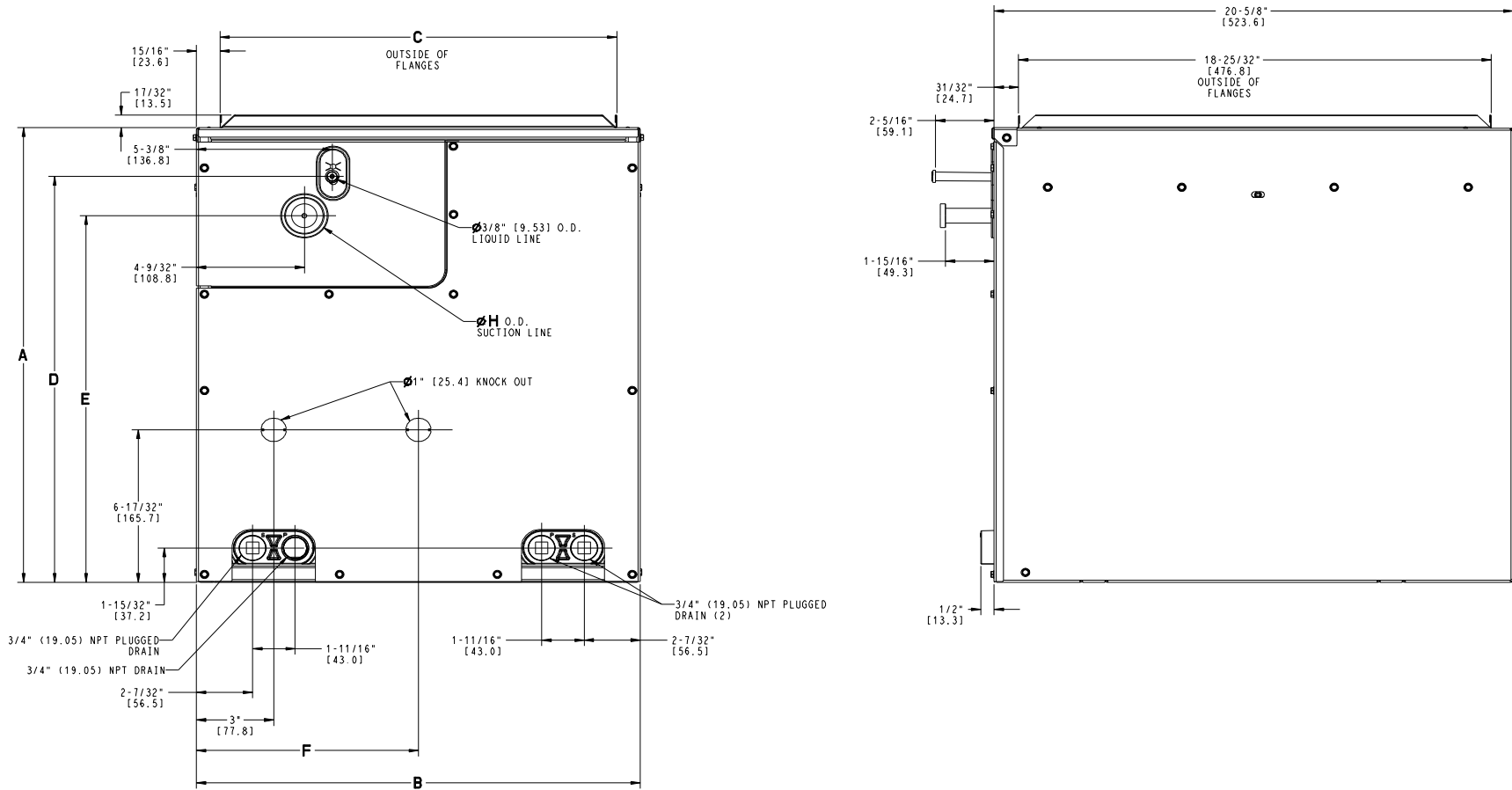


Fig. 8 – CVAVA (14" & 17" cabinet widths)

## DIMENSIONS (cont)

UNIT	SERIES	A		B (Cabinet Width)		C		D		E		F		H (Suction Line)		OPERATING WEIGHT		SHIPPING WEIGHT		SHIPPING HEIGHT		SHIPPING WIDTH		SHIPPING DEPTH	
		INCH	MM	INCH	MM	INCH	MM	INCH	MM	INCH	MM	INCH	MM	INCH	MM	Lbs	Kgs	Lbs	Kgs	INCH	MM	INCH	MM	INCH	MM
CVAVA 3621XMA	A	19 1/16	483.4	21	533.4	19 1/4	489.2	16 7/8	427.9	16	405.8	10 1/2	266.7	3/4	19.1	34.0	15.4	40.0	18.1	20.4	518.2	23.1	586.7	23.8	604.5
CVAVA 3721XMA	A	21 15/16	557.9	21	533.4	19 1/4	489.2	20 1/16	510.0	18 5/16	465.0	10 1/2	266.7	3/4	19.1	37.4	17.0	44.0	20.0	23.5	596.9	23.1	586.7	23.8	604.5
CVAVA 4221XMA	A	19 1/16	483.4	21	533.4	19 1/4	489.2	16 7/8	427.9	16	405.8	10 1/2	266.7	7/8	22.2	34.0	15.4	40.0	18.1	20.4	518.2	23.1	586.7	23.8	604.5
CVAVA 4224XMA	A	26 5/16	669.0	24 1/2	622.3	22 3/4	578.1	24 3/4	629.3	23 5/16	591.4	12 1/4	311.2	7/8	22.2	43.3	19.6	51.0	23.1	27.7	703.6	26.6	675.6	23.8	604.5
CVAVA 4821XMA	A	21 15/16	557.9	21	533.4	19 1/4	489.2	20 1/16	510.0	18 5/16	465.0	10 1/2	266.7	7/8	22.2	37.4	17.0	44.0	20.0	23.5	596.9	23.1	586.7	23.8	604.5
CVAVA 4824XMA	A	22 1/16	560.8	24 1/2	622.3	22 3/4	578.1	20 3/16	513.4	19	483.2	12 1/4	311.2	7/8	22.2	39.0	17.7	46.0	20.9	23.5	596.9	26.6	675.6	23.8	604.5
CVAVA 4924XMA	A	26 5/16	669.0	24 1/2	622.3	22 3/4	578.1	24 5/16	616.9	22 9/16	573.2	12 1/4	311.2	7/8	22.2	43.3	19.6	51.0	23.1	27.7	703.6	26.6	675.6	23.8	604.5
CVAVA 6021XMA	A	29 3/4	755.3	21	533.4	19 1/4	489.2	28 1/4	717.0	26 11/16	677.7	10 1/2	266.7	7/8	22.2	45.8	20.8	54.0	24.5	31.0	787.4	23.1	586.7	23.8	604.5
CVAVA 6024XMA	A	26 5/16	669.0	24 1/2	622.3	22 3/4	578.1	24 3/4	629.3	23 5/16	591.4	12 1/4	311.2	7/8	22.2	43.3	19.6	51.0	23.1	27.7	703.6	26.6	675.6	23.8	604.5
CVAVA 6121XMA	A	35	889.6	21	533.4	19 1/4	489.2	33 1/8	841.4	31 15/16	812.0	10 1/2	266.7	7/8	22.2	50.8	23.0	60.0	27.2	36.3	922.0	23.1	586.7	23.8	604.5
CVAVA 6124XMA	A	35	889.6	24 1/2	622.3	22 3/4	578.1	33 7/16	850.0	31 1/4	793.8	12 1/4	311.2	7/8	22.2	55.9	25.4	66.0	29.9	36.3	922.0	26.6	675.6	23.8	604.5

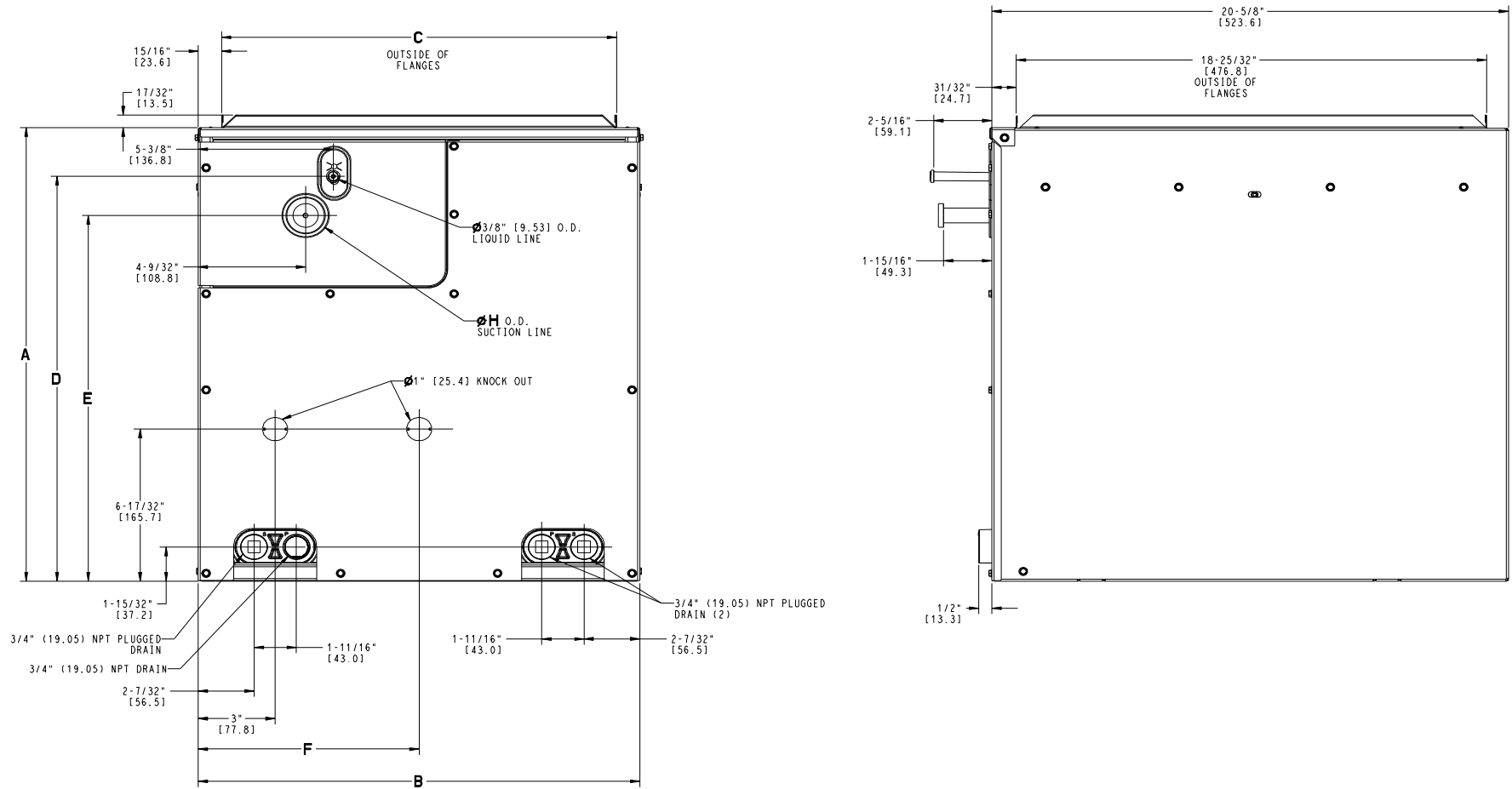


Fig. 9 – CVAVA (21" & 24" cabinet widths)



**Table 4 – Cooling Capacities (MBH) – Puron Advance**

INDOOR COIL AIR		SATURATED TEMPERATURE LEAVING EVAPORATOR (deg F)														
		35			40			45			50			55		
CFM	EWB	TC	SHC	BF	TC	SHC	BF	TC	SHC	BF	TC	SHC	BF	TC	SHC	BF
<b>SIZE1814</b>																
450	72	32.33	16.37	0.00	29.42	14.73	0.00	25.84	12.98	0.00	21.83	11.20	0.25	17.26	9.21	0.23
	67	26.69	16.93	0.21	23.50	15.18	0.20	20.00	13.36	0.20	15.94	11.34	0.21	11.68	9.30	0.23
	62	21.27	17.16	0.18	18.22	15.37	0.19	14.67	13.38	0.20	11.12	11.11	0.20	9.40	9.40	0.31
600	72	38.94	19.67	0.00	35.98	17.92	0.00	31.74	15.89	0.00	26.92	13.77	0.31	21.49	11.47	0.27
	67	32.77	20.73	0.29	28.93	18.71	0.25	24.71	16.55	0.24	19.84	14.18	0.25	14.56	11.68	0.27
	62	26.18	21.23	0.22	22.68	19.22	0.23	18.22	16.80	0.24	14.16	14.15	0.23	11.66	11.66	0.36
750	72	45.01	22.59	0.00	41.48	20.57	0.00	36.68	18.33	0.00	31.11	15.96	0.33	25.06	13.38	0.31
	67	37.80	23.94	0.33	33.46	21.68	0.29	28.69	19.29	0.28	23.13	16.64	0.28	16.89	13.69	0.30
	62	30.39	24.78	0.26	26.31	22.45	0.27	21.23	19.79	0.27	17.13	17.13	0.25	14.18	14.18	0.38
<b>SIZE1917</b>																
450	72	31.49	15.94	0.00	28.72	14.43	0.00	25.39	12.79	0.00	21.58	11.04	0.23	17.27	9.23	0.15
	67	25.99	16.46	0.19	22.95	14.82	0.14	19.66	13.14	0.13	15.89	11.29	0.13	11.80	9.36	0.15
	62	20.79	16.77	0.11	18.00	15.15	0.12	14.59	13.31	0.13	11.14	11.55	0.14	9.35	9.35	0.25
600	72	38.28	19.56	0.00	35.39	17.72	0.00	31.49	15.82	0.00	26.95	13.78	0.26	21.72	11.61	0.19
	67	32.18	20.36	0.25	28.55	18.48	0.18	24.49	16.43	0.17	19.89	14.23	0.17	14.93	11.96	0.18
	62	25.88	21.00	0.15	22.40	19.01	0.16	18.27	16.83	0.16	14.08	14.07	0.15	11.66	11.66	0.29
750	72	44.27	22.35	0.00	41.12	20.53	0.00	36.66	18.39	0.00	31.49	16.11	0.29	25.51	13.67	0.23
	67	37.38	23.70	0.27	33.27	21.61	0.22	28.69	19.35	0.20	23.41	16.85	0.20	17.58	14.20	0.21
	62	30.16	24.65	0.19	26.25	22.47	0.19	21.44	19.97	0.19	17.12	17.09	0.18	14.34	14.34	0.30
<b>SIZE2414</b>																
600	72	43.25	21.42	0.00	39.14	19.33	0.00	34.45	17.13	0.00	29.20	14.84	0.31	23.31	12.36	0.27
	67	35.54	22.33	0.29	31.38	20.15	0.25	26.81	17.83	0.24	21.52	15.28	0.25	15.79	12.58	0.27
	62	28.40	22.87	0.22	24.60	20.71	0.23	19.78	18.12	0.24	15.36	15.34	0.23	12.65	12.65	0.36
800	72	50.50	25.13	0.00	46.76	23.02	0.00	41.40	20.53	0.00	35.17	17.92	0.35	28.36	15.05	0.32
	67	42.51	26.80	0.33	37.76	24.32	0.30	32.40	21.66	0.30	26.19	18.75	0.29	19.22	15.51	0.31
	62	34.30	27.83	0.28	29.74	25.29	0.28	24.01	22.31	0.28	19.50	19.50	0.26	16.05	16.05	0.39
1000	72	57.91	28.63	0.00	53.24	26.12	0.00	47.24	23.42	0.00	40.30	20.55	0.38	32.95	17.47	0.36
	67	48.41	30.63	0.36	43.14	27.89	0.35	37.17	24.99	0.34	29.99	21.68	0.33	22.20	18.14	0.34
	62	39.32	32.16	0.32	33.85	29.23	0.32	27.60	25.99	0.32	22.91	22.91	0.31	19.20	19.20	0.41

Table 4 – Cooling Capacities (MBH) – Puron Advance (Continued)

INDOOR COIL AIR		SATURATED TEMPERATURE LEAVING EVAPORATOR (deg F)														
		35			40			45			50			55		
CFM	EWB	TC	SHC	BF	TC	SHC	BF	TC	SHC	BF	TC	SHC	BF	TC	SHC	BF
<b>SIZE2417</b>																
600	72	42.67	21.23	0.00	38.94	19.26	0.00	34.35	17.08	0.00	29.22	14.84	0.30	23.34	12.37	0.26
	67	35.37	22.23	0.28	31.20	20.03	0.24	26.73	17.79	0.23	21.51	15.27	0.23	15.83	12.61	0.25
	62	28.32	22.80	0.21	24.31	20.51	0.22	19.79	18.12	0.22	15.27	15.25	0.22	12.67	12.66	0.34
800	72	50.41	25.11	0.00	46.62	22.97	0.00	41.33	20.51	0.00	35.21	17.94	0.33	28.46	15.12	0.31
	67	42.46	26.73	0.32	37.68	24.27	0.29	32.39	21.66	0.28	26.20	18.75	0.28	19.46	15.68	0.29
	62	34.27	27.81	0.26	29.71	25.27	0.26	24.07	22.34	0.27	19.48	19.48	0.25	16.16	16.15	0.37
1000	72	57.71	28.53	0.00	53.10	26.06	0.00	47.17	23.39	0.00	40.30	20.56	0.37	33.05	17.53	0.35
	67	48.27	30.56	0.35	43.05	27.85	0.33	37.12	24.98	0.32	30.13	21.77	0.32	22.35	18.25	0.33
	62	39.08	32.01	0.30	34.00	29.21	0.31	27.61	26.00	0.30	22.90	22.90	0.29	19.26	19.26	0.40
<b>SIZE2514</b>																
INDOOR COIL AIR		SATURATED TEMPERATURE LEAVING EVAPORATOR (deg F)														
		35			40			45			50			55		
CFM	EWB	TC	SHC	BF	TC	SHC	BF	TC	SHC	BF	TC	SHC	BF	TC	SHC	BF
600	72	41.70	20.91	0.00	38.50	19.09	0.00	34.11	16.99	0.00	29.07	14.77	0.28	23.31	12.36	0.23
	67	35.01	21.99	0.28	31.00	19.91	0.21	26.55	17.67	0.21	21.48	15.24	0.21	15.87	12.64	0.22
	62	28.11	22.64	0.19	24.35	20.51	0.19	19.70	18.03	0.20	15.24	15.23	0.19	12.62	12.62	0.32
800	72	50.04	24.95	0.00	46.38	22.88	0.00	41.20	20.47	0.00	35.30	17.94	0.33	28.51	15.16	0.28
	67	42.17	26.57	0.30	37.47	24.17	0.27	32.28	21.61	0.26	26.23	18.79	0.25	19.43	15.67	0.26
	62	34.02	27.64	0.24	29.54	25.13	0.24	24.03	22.31	0.24	19.46	19.46	0.22	16.33	16.33	0.34
1000	72	57.39	28.40	0.00	52.79	25.95	0.00	47.01	23.34	0.00	40.24	20.55	0.35	33.05	17.56	0.33
	67	48.01	30.38	0.33	42.77	27.70	0.31	36.95	24.90	0.30	30.17	21.81	0.29	22.45	18.32	0.30
	62	38.89	31.90	0.28	33.88	29.16	0.28	27.67	26.05	0.28	22.93	22.93	0.26	19.31	19.31	0.37
<b>SIZE2517</b>																
INDOOR COIL AIR		SATURATED TEMPERATURE LEAVING EVAPORATOR (deg F)														
		35			40			45			50			55		
CFM	EWB	TC	SHC	BF	TC	SHC	BF	TC	SHC	BF	TC	SHC	BF	TC	SHC	BF
600	72	41.73	20.82	0.00	38.18	18.94	0.00	33.89	16.90	0.00	28.99	14.72	0.27	23.34	12.39	0.19
	67	34.63	21.75	0.25	30.72	19.73	0.18	26.33	17.54	0.17	21.40	15.19	0.17	16.04	12.75	0.18
	62	27.84	22.42	0.15	24.02	20.26	0.16	19.64	17.95	0.16	15.08	15.07	0.16	12.54	12.54	0.29
800	72	49.66	24.85	0.00	46.16	22.84	0.00	41.16	20.49	0.00	35.37	17.97	0.30	28.69	15.27	0.24
	67	41.99	26.45	0.28	37.35	24.11	0.23	32.24	21.60	0.22	26.31	18.84	0.21	19.78	15.91	0.22
	62	33.87	27.53	0.20	29.49	25.11	0.20	24.10	22.34	0.20	19.40	19.40	0.18	16.25	16.25	0.31
1000	72	57.22	28.39	0.00	52.79	26.02	0.00	47.16	23.47	0.00	40.65	20.71	0.33	33.39	17.76	0.28
	67	47.97	30.35	0.30	42.81	27.78	0.27	37.09	25.03	0.26	30.41	21.99	0.25	22.98	18.73	0.25
	62	38.90	31.93	0.24	33.91	29.22	0.24	27.79	26.16	0.24	22.97	22.97	0.22	19.48	19.48	0.34

Table 4 – Cooling Capacities (MBH) – Puron Advance (Continued)

INDOOR COIL AIR		SATURATED TEMPERATURE LEAVING EVAPORATOR (deg F)														
		35			40			45			50			55		
CFM	EWB	TC	SHC	BF	TC	SHC	BF	TC	SHC	BF	TC	SHC	BF	TC	SHC	BF
<b>SIZE3014</b>																
750	72	52.98	26.54	0.00	48.73	24.12	0.00	42.98	21.36	0.00	36.59	18.54	0.36	29.30	15.53	0.27
	67	44.33	27.78	0.00	39.04	25.04	0.26	33.41	22.21	0.24	26.94	19.14	0.24	19.95	15.94	0.25
	62	35.48	28.53	0.23	30.38	25.64	0.23	24.69	22.63	0.23	19.19	19.19	0.22	16.06	16.06	0.34
1000	72	63.77	31.71	0.00	58.72	28.91	0.00	51.92	25.71	0.00	44.24	22.41	0.40	35.93	18.98	0.33
	67	53.32	33.42	0.00	47.11	30.27	0.32	40.41	26.97	0.30	32.70	23.39	0.29	24.16	19.54	0.30
	62	42.86	34.67	0.28	37.04	31.43	0.28	30.01	27.86	0.28	24.41	24.41	0.25	20.46	20.46	0.36
1250	72	73.25	36.12	0.00	67.27	32.96	0.00	59.56	29.45	0.00	50.56	25.72	0.40	41.33	21.88	0.37
	67	61.07	38.36	0.43	54.13	34.88	0.36	46.49	31.18	0.34	37.64	27.15	0.33	27.91	22.82	0.33
	62	49.17	40.08	0.32	42.51	36.40	0.32	34.41	32.35	0.32	28.63	28.63	0.29	24.08	24.08	0.40
<b>SIZE3017</b>																
INDOOR COIL AIR		SATURATED TEMPERATURE LEAVING EVAPORATOR (deg F)														
		35			40			45			50			55		
CFM	EWB	TC	SHC	BF	TC	SHC	BF	TC	SHC	BF	TC	SHC	BF	TC	SHC	BF
<b>SIZE3017</b>																
750	72	51.80	25.47	0.00	47.54	23.29	0.00	42.33	20.89	0.00	36.35	18.30	0.29	29.45	15.52	0.23
	67	43.15	26.92	0.27	38.40	24.54	0.22	33.12	21.97	0.20	27.02	19.14	0.20	20.30	16.13	0.21
	62	34.82	28.00	0.19	30.31	25.52	0.19	24.75	22.68	0.19	19.89	19.89	0.17	16.55	16.54	0.30
1000	72	61.05	30.06	0.00	56.49	27.60	0.00	50.50	24.91	0.00	43.54	22.00	0.33	35.79	18.88	0.28
	67	51.33	32.22	0.30	45.85	29.51	0.27	39.74	26.60	0.26	32.61	23.39	0.25	24.66	19.94	0.25
	62	41.66	33.93	0.24	36.34	31.07	0.24	29.79	27.83	0.24	24.67	24.67	0.22	20.89	20.89	0.34
1250	72	69.22	33.80	0.00	63.60	31.00	0.00	57.02	28.21	0.00	49.37	25.04	0.36	40.79	21.64	0.32
	67	57.83	36.56	0.33	51.79	33.60	0.31	45.04	30.45	0.30	37.11	26.97	0.29	28.03	23.04	0.29
	62	47.01	38.84	0.28	41.23	35.82	0.28	34.00	32.36	0.27	28.81	28.81	0.27	24.61	24.61	0.37
<b>SIZE3117</b>																
INDOOR COIL AIR		SATURATED TEMPERATURE LEAVING EVAPORATOR (deg F)														
		35			40			45			50			55		
CFM	EWB	TC	SHC	BF	TC	SHC	BF	TC	SHC	BF	TC	SHC	BF	TC	SHC	BF
<b>SIZE3117</b>																
750	72	52.04	26.02	0.00	47.61	23.67	0.00	42.22	21.06	0.00	36.22	18.37	0.31	29.52	15.57	0.19
	67	43.06	27.04	0.00	38.19	24.47	0.18	32.82	21.84	0.15	26.74	18.97	0.15	20.12	16.01	0.15
	62	34.54	27.78	0.14	29.97	25.24	0.14	24.41	22.33	0.14	18.78	18.78	0.13	15.80	15.80	0.26
1000	72	62.29	31.10	0.00	57.83	28.60	0.00	51.56	25.66	0.00	44.36	22.50	0.33	36.32	19.23	0.23
	67	52.49	33.03	0.30	46.60	29.98	0.23	40.23	26.93	0.20	32.89	23.56	0.19	24.84	20.02	0.19
	62	42.30	34.34	0.18	36.71	31.24	0.18	30.05	27.86	0.18	24.26	24.26	0.15	20.49	20.49	0.28
1250	72	71.92	35.61	0.00	66.44	32.75	0.00	59.38	29.53	0.00	51.20	26.01	0.35	42.06	22.35	0.27
	67	60.24	38.05	0.31	53.68	34.72	0.26	46.43	31.29	0.24	38.10	27.54	0.23	28.92	23.57	0.22
	62	48.64	39.87	0.22	42.38	36.49	0.22	34.74	32.70	0.21	28.78	28.78	0.19	24.42	24.42	0.31

Table 4 – Cooling Capacities (MBH) – Puron Advance (Continued)

INDOOR COIL AIR		SATURATED TEMPERATURE LEAVING EVAPORATOR (deg F)														
		35			40			45			50			55		
CFM	EWB	TC	SHC	BF	TC	SHC	BF	TC	SHC	BF	TC	SHC	BF	TC	SHC	BF
<b>SIZE3617</b>																
900	72	63.59	31.40	0.00	58.07	28.55	0.00	51.34	25.37	0.00	43.91	22.13	0.37	35.70	18.77	0.27
	67	52.65	32.87	0.00	46.50	29.71	0.26	39.95	26.51	0.24	32.45	23.03	0.23	24.29	19.40	0.23
	62	42.27	33.95	0.22	36.52	30.74	0.22	29.68	27.25	0.22	23.68	23.68	0.19	19.95	19.95	0.32
1200	72	75.07	36.98	0.00	69.27	33.86	0.00	61.53	30.33	0.00	52.72	26.57	0.40	42.67	22.59	0.31
	67	62.84	39.30	0.40	55.73	35.76	0.31	48.01	32.04	0.29	39.11	28.01	0.28	29.21	23.66	0.28
	62	50.60	41.03	0.27	43.93	37.43	0.27	35.83	33.40	0.27	29.58	29.58	0.24	24.98	24.98	0.35
1500	72	85.66	41.83	0.00	78.70	38.35	0.00	70.07	34.52	0.00	60.10	30.33	0.42	49.24	26.05	0.36
	67	71.25	44.79	0.39	63.32	41.02	0.34	54.87	36.89	0.33	44.71	32.37	0.32	33.51	27.52	0.32
	62	57.64	47.24	0.31	49.81	43.16	0.31	40.84	38.67	0.31	34.51	34.51	0.29	29.27	29.27	0.39
<b>SIZE3621</b>																
INDOOR COIL AIR		SATURATED TEMPERATURE LEAVING EVAPORATOR (deg F)														
		35			40			45			50			55		
CFM	EWB	TC	SHC	BF	TC	SHC	BF	TC	SHC	BF	TC	SHC	BF	TC	SHC	BF
<b>SIZE3621</b>																
900	72	63.59	31.40	0.00	58.07	28.55	0.00	51.34	25.37	0.00	43.91	22.13	0.37	35.70	18.77	0.27
	67	52.65	32.87	0.00	46.50	29.71	0.26	39.95	26.51	0.24	32.45	23.03	0.23	24.29	19.40	0.23
	62	42.27	33.95	0.22	36.52	30.74	0.22	29.68	27.25	0.22	23.68	23.68	0.19	19.95	19.95	0.32
1200	72	75.07	36.98	0.00	69.27	33.86	0.00	61.53	30.33	0.00	52.72	26.57	0.40	42.67	22.59	0.31
	67	62.84	39.30	0.40	55.73	35.76	0.31	48.01	32.04	0.29	39.11	28.01	0.28	29.21	23.66	0.28
	62	50.60	41.03	0.27	43.93	37.43	0.27	35.83	33.40	0.27	29.58	29.58	0.24	24.98	24.98	0.35
1500	72	85.66	41.83	0.00	78.70	38.35	0.00	70.07	34.52	0.00	60.10	30.33	0.42	49.24	26.05	0.36
	67	71.25	44.79	0.39	63.32	41.02	0.34	54.87	36.89	0.33	44.71	32.37	0.32	33.51	27.52	0.32
	62	57.64	47.24	0.31	49.81	43.16	0.31	40.84	38.67	0.31	34.51	34.51	0.29	29.27	29.27	0.39
<b>SIZE3721</b>																
INDOOR COIL AIR		SATURATED TEMPERATURE LEAVING EVAPORATOR (deg F)														
		35			40			45			50			55		
CFM	EWB	TC	SHC	BF	TC	SHC	BF	TC	SHC	BF	TC	SHC	BF	TC	SHC	BF
<b>SIZE3721</b>																
900	72	62.73	30.95	0.00	57.37	28.20	0.00	51.00	25.22	0.00	43.72	22.02	0.34	35.63	18.70	0.24
	67	52.03	32.46	0.00	46.17	29.47	0.23	39.66	26.31	0.21	32.39	22.96	0.20	24.35	19.40	0.20
	62	41.84	33.59	0.19	36.30	30.56	0.19	29.58	27.12	0.19	23.46	23.42	0.17	19.76	19.76	0.29
1200	72	74.12	36.53	0.00	68.70	33.62	0.00	61.25	30.22	0.00	52.72	26.58	0.37	43.15	22.74	0.29
	67	62.36	39.04	0.34	55.46	35.58	0.28	47.90	32.01	0.26	39.17	28.08	0.25	29.58	23.93	0.24
	62	50.34	40.86	0.24	43.71	37.23	0.24	35.78	33.35	0.23	29.49	29.49	0.21	25.01	25.01	0.32
1500	72	83.38	40.94	0.00	77.83	37.97	0.00	69.56	34.30	0.00	60.07	30.36	0.39	49.37	26.13	0.33
	67	70.71	44.46	0.36	63.00	40.68	0.32	54.60	36.76	0.30	44.81	32.45	0.29	33.74	27.69	0.28
	62	57.16	46.91	0.28	49.90	43.09	0.28	40.87	38.71	0.27	34.55	34.55	0.26	29.45	29.45	0.36

Table 4 – Cooling Capacities (MBH) – Puron Advance (Continued)

INDOOR COIL AIR		SATURATED TEMPERATURE LEAVING EVAPORATOR (deg F)														
		35			40			45			50			55		
CFM	EWB	TC	SHC	BF	TC	SHC	BF	TC	SHC	BF	TC	SHC	BF	TC	SHC	BF
<b>SIZE3817</b>																
900	72	60.47	29.96	0.00	55.64	27.53	0.00	49.77	24.84	0.00	43.04	21.92	0.29	35.19	18.82	0.18
	67	50.49	31.48	0.25	45.12	28.74	0.19	39.05	25.86	0.16	32.16	22.77	0.15	24.63	19.52	0.15
	62	40.91	32.59	0.14	35.70	29.76	0.14	29.51	26.68	0.14	23.44	23.44	0.13	20.00	20.00	0.25
1200	72	72.23	35.77	0.00	67.03	33.14	0.00	60.22	30.11	0.00	52.33	26.79	0.31	43.00	23.19	0.23
	67	60.88	38.21	0.26	54.64	35.11	0.23	47.53	31.84	0.20	39.40	28.27	0.19	30.37	24.48	0.19
	62	49.57	39.99	0.19	43.50	36.83	0.18	36.03	33.19	0.18	29.87	29.87	0.16	25.71	25.71	0.28
1500	72	82.19	40.55	0.00	76.35	37.75	0.00	68.75	34.49	0.00	59.99	30.91	0.33	49.94	27.02	0.27
	67	69.32	43.80	0.29	62.40	40.49	0.26	54.55	36.96	0.24	45.35	33.01	0.23	35.08	28.74	0.22
	62	56.70	46.40	0.22	49.69	42.89	0.22	41.57	38.98	0.21	35.30	35.30	0.21	30.57	30.57	0.32
<b>SIZE4217</b>																
INDOOR COIL AIR		SATURATED TEMPERATURE LEAVING EVAPORATOR (deg F)														
		35			40			45			50			55		
CFM	EWB	TC	SHC	BF	TC	SHC	BF	TC	SHC	BF	TC	SHC	BF	TC	SHC	BF
<b>SIZE4217</b>																
1050	72	72.79	35.96	0.00	66.44	32.76	0.00	59.05	29.40	0.00	50.63	25.77	0.00	41.46	22.12	0.28
	67	60.41	37.50	0.00	53.60	34.10	0.28	46.16	30.56	0.25	37.81	26.81	0.24	28.68	22.84	0.24
	62	48.71	38.67	0.23	42.37	35.27	0.23	34.73	31.47	0.23	28.35	28.35	0.19	24.01	24.01	0.32
1400	72	86.06	42.51	0.00	79.51	39.10	0.00	70.83	35.27	0.00	60.99	31.14	0.43	49.69	26.79	0.33
	67	72.17	45.01	0.00	64.32	41.15	0.33	55.65	37.14	0.30	45.68	32.74	0.29	34.68	28.05	0.29
	62	58.57	46.95	0.29	50.97	42.87	0.29	41.75	38.42	0.28	35.17	35.17	0.25	30.02	30.02	0.36
1750	72	98.49	48.34	0.00	90.70	44.60	0.00	80.88	40.34	0.00	69.84	35.84	0.44	57.10	31.01	0.36
	67	82.43	51.65	0.43	73.46	47.33	0.37	63.70	42.84	0.35	52.32	37.94	0.33	39.95	32.77	0.33
	62	66.86	54.17	0.33	58.11	49.74	0.32	48.08	44.89	0.32	41.11	41.11	0.30	35.30	35.30	0.40
<b>SIZE4221</b>																
INDOOR COIL AIR		SATURATED TEMPERATURE LEAVING EVAPORATOR (deg F)														
		35			40			45			50			55		
CFM	EWB	TC	SHC	BF	TC	SHC	BF	TC	SHC	BF	TC	SHC	BF	TC	SHC	BF
<b>SIZE4221</b>																
1050	72	73.11	36.08	0.00	66.78	32.92	0.00	59.21	29.44	0.00	50.72	25.82	0.00	41.50	22.15	0.30
	67	60.66	37.64	0.00	53.71	34.17	0.30	46.27	30.62	0.27	37.85	26.84	0.26	28.70	22.89	0.26
	62	48.94	38.84	0.25	42.49	35.36	0.25	34.73	31.48	0.24	28.52	28.52	0.21	24.08	24.08	0.33
1400	72	86.32	42.59	0.00	79.81	39.25	0.00	71.04	35.35	0.00	60.94	31.12	0.45	49.64	26.77	0.34
	67	72.47	45.18	0.00	64.54	41.29	0.35	55.77	37.20	0.32	45.63	32.71	0.31	34.60	28.00	0.31
	62	58.71	47.06	0.30	51.10	42.97	0.30	41.87	38.53	0.29	35.24	35.24	0.27	30.07	30.07	0.38
1750	72	98.63	48.40	0.00	90.88	44.64	0.00	81.04	40.41	0.00	69.76	35.80	0.46	56.84	30.91	0.38
	67	82.58	51.72	0.44	73.67	47.44	0.38	63.83	42.91	0.36	52.42	38.01	0.35	39.81	32.68	0.34
	62	67.10	54.33	0.34	58.23	49.85	0.33	48.08	44.87	0.33	41.09	41.09	0.32	35.22	35.22	0.42

Table 4 – Cooling Capacities (MBH) – Puron Advance (Continued)

INDOOR COIL AIR		SATURATED TEMPERATURE LEAVING EVAPORATOR (deg F)														
		35			40			45			50			55		
CFM	EWB	TC	SHC	BF	TC	SHC	BF	TC	SHC	BF	TC	SHC	BF	TC	SHC	BF
<b>SIZE4224</b>																
1050	72	71.46	35.31	0.00	65.56	32.37	0.00	58.52	29.15	0.00	50.47	25.67	0.00	41.15	22.01	0.22
	67	59.50	37.02	0.00	53.05	33.74	0.23	45.82	30.32	0.20	37.66	26.68	0.18	28.79	22.87	0.18
	62	48.10	38.24	0.18	41.88	34.88	0.18	34.54	31.28	0.17	28.03	28.03	0.14	23.80	23.80	0.27
1400	72	85.21	42.02	0.00	78.79	38.82	0.00	70.52	35.16	0.00	61.10	31.22	0.37	50.46	27.03	0.28
	67	71.50	44.69	0.34	63.99	40.99	0.27	55.53	37.10	0.25	45.82	32.87	0.23	35.12	28.35	0.23
	62	58.07	46.71	0.23	50.83	42.93	0.22	42.00	38.69	0.22	35.05	35.05	0.20	30.11	30.11	0.31
1750	72	96.97	47.60	0.00	89.61	44.16	0.00	80.36	40.17	0.00	69.88	35.90	0.38	57.93	31.28	0.32
	67	81.38	51.18	0.35	72.90	47.07	0.31	63.54	42.89	0.29	52.61	38.23	0.27	40.41	33.13	0.27
	62	66.25	53.97	0.27	57.83	49.77	0.26	48.11	45.08	0.26	41.11	41.11	0.24	35.54	35.54	0.35
<b>SIZE4821</b>																
INDOOR COIL AIR		SATURATED TEMPERATURE LEAVING EVAPORATOR (deg F)														
		35			40			45			50			55		
CFM	EWB	TC	SHC	BF	TC	SHC	BF	TC	SHC	BF	TC	SHC	BF	TC	SHC	BF
1200	72	82.67	40.54	0.00	75.74	37.12	0.00	67.32	33.31	0.00	58.01	29.40	0.00	47.62	25.30	0.29
	67	68.76	42.55	0.00	61.07	38.72	0.29	52.81	34.90	0.26	43.36	30.72	0.25	33.06	26.35	0.24
	62	55.61	44.11	0.24	48.35	40.20	0.24	39.74	36.06	0.23	32.85	32.85	0.20	27.90	27.90	0.32
1600	72	97.33	47.62	0.00	89.94	44.01	0.00	80.33	39.82	0.00	69.32	35.28	0.43	56.68	30.51	0.33
	67	81.71	50.84	0.40	72.87	46.55	0.34	63.17	42.12	0.31	52.06	37.34	0.30	39.65	32.12	0.30
	62	66.23	53.17	0.30	57.94	48.90	0.29	47.73	44.04	0.28	40.48	40.48	0.26	34.78	34.78	0.37
2000	72	108.45	53.22	0.00	101.80	49.86	0.00	91.24	45.39	0.00	78.98	40.45	0.44	64.63	35.14	0.37
	67	92.47	57.91	0.42	82.85	53.41	0.37	72.12	48.59	0.35	59.46	43.27	0.34	45.44	37.42	0.33
	62	75.32	61.27	0.33	65.55	56.42	0.33	54.43	51.17	0.32	47.10	47.10	0.31	40.65	40.65	0.41
<b>SIZE4824</b>																
INDOOR COIL AIR		SATURATED TEMPERATURE LEAVING EVAPORATOR (deg F)														
		35			40			45			50			55		
CFM	EWB	TC	SHC	BF	TC	SHC	BF	TC	SHC	BF	TC	SHC	BF	TC	SHC	BF
1200	72	82.41	40.38	0.00	75.57	37.03	0.00	67.27	33.28	0.00	57.99	29.38	0.40	47.65	25.31	0.28
	67	68.61	42.46	0.00	60.96	38.66	0.28	52.77	34.87	0.25	43.37	30.72	0.24	33.12	26.38	0.24
	62	55.52	44.06	0.23	48.30	40.17	0.23	39.74	36.06	0.23	32.87	32.87	0.20	27.93	27.93	0.32
1600	72	96.99	47.43	0.00	89.65	43.86	0.00	80.16	39.74	0.00	69.25	35.25	0.42	57.17	30.61	0.33
	67	81.43	50.67	0.39	72.71	46.47	0.33	63.12	42.10	0.31	52.04	37.34	0.29	39.71	32.17	0.29
	62	66.07	53.09	0.29	57.85	48.87	0.28	47.76	44.10	0.28	40.50	40.50	0.26	34.83	34.83	0.36
2000	72	109.82	53.52	0.00	101.38	49.64	0.00	90.95	45.27	0.00	78.86	40.40	0.43	64.63	35.15	0.36
	67	92.12	57.75	0.40	82.58	53.28	0.36	71.96	48.54	0.34	59.43	43.26	0.33	45.47	37.47	0.33
	62	75.09	61.17	0.33	65.84	56.39	0.32	54.30	51.08	0.32	47.15	47.15	0.31	40.74	40.74	0.40

Table 4 – Cooling Capacities (MBH) – Puron Advance (Continued)

INDOOR COIL AIR		SATURATED TEMPERATURE LEAVING EVAPORATOR (deg F)														
		35			40			45			50			55		
CFM	EWB	TC	SHC	BF	TC	SHC	BF	TC	SHC	BF	TC	SHC	BF	TC	SHC	BF
<b>SIZE4924</b>																
1200	72	83.25	40.55	0.00	76.32	37.12	0.00	68.07	33.36	0.00	58.59	29.28	0.36	47.56	24.93	0.24
	67	69.15	42.90	0.33	61.57	39.06	0.25	53.06	35.04	0.22	43.42	30.73	0.21	32.88	26.22	0.20
	62	55.65	44.61	0.20	48.39	40.73	0.20	39.52	36.31	0.19	32.28	32.28	0.17	27.26	27.26	0.29
1600	72	97.95	47.46	0.00	90.55	43.85	0.00	80.92	39.61	0.00	69.97	35.05	0.37	57.53	30.16	0.30
	67	81.94	51.07	0.34	73.20	46.77	0.30	63.40	42.30	0.27	52.00	37.33	0.25	39.51	32.08	0.25
	62	66.28	53.88	0.25	57.49	49.40	0.24	47.48	44.51	0.24	39.82	39.82	0.22	34.01	34.01	0.33
2000	72	110.25	53.08	0.00	101.85	49.25	0.00	91.25	44.71	0.00	79.13	39.79	0.39	65.28	34.45	0.34
	67	92.29	57.90	0.36	82.52	53.19	0.33	71.70	48.35	0.31	59.08	43.00	0.29	44.73	36.98	0.29
	62	74.67	61.58	0.29	65.41	56.85	0.29	53.84	51.49	0.28	46.25	46.25	0.28	39.70	39.70	0.37
<b>SIZE6021</b>																
1500	72	101.92	49.41	0.00	93.76	45.55	0.00	83.84	41.17	0.00	72.57	36.50	0.38	59.94	31.62	0.28
	67	85.02	52.33	0.36	75.94	47.89	0.27	65.87	43.34	0.24	54.33	38.41	0.22	41.68	33.18	0.22
	62	68.91	54.60	0.22	59.95	50.06	0.21	49.76	45.15	0.21	41.44	41.44	0.19	35.55	35.55	0.31
2000	72	119.53	57.76	0.00	110.62	53.73	0.00	99.33	48.97	0.00	86.33	43.73	0.39	71.52	38.11	0.32
	67	100.45	62.33	0.36	90.11	57.43	0.32	78.46	52.28	0.29	64.93	46.66	0.27	49.82	40.45	0.27
	62	81.61	65.67	0.28	71.66	60.72	0.27	59.37	55.07	0.26	50.97	50.97	0.25	44.14	44.14	0.35
2500	72	134.34	64.86	0.00	124.47	60.63	0.00	111.98	55.52	0.00	97.67	49.91	0.41	81.31	43.81	0.36
	67	112.88	70.78	0.38	101.58	65.50	0.35	88.79	60.01	0.33	73.69	53.89	0.31	57.13	47.26	0.31
	62	92.13	75.35	0.32	80.57	69.93	0.30	67.60	64.00	0.30	59.86	59.86	0.30	51.60	51.60	0.39
<b>SIZE6024</b>																
1500	72	102.60	49.77	0.00	94.22	45.78	0.00	84.03	41.28	0.00	72.70	36.61	0.41	59.91	31.63	0.30
	67	85.35	52.54	0.40	76.23	48.08	0.29	66.03	43.46	0.26	54.35	38.43	0.24	41.57	33.11	0.24
	62	69.20	54.79	0.24	60.40	50.21	0.24	49.85	45.25	0.23	41.58	41.58	0.20	35.56	35.56	0.32
2000	72	120.13	58.06	0.00	111.18	54.01	0.00	99.62	49.09	0.00	86.35	43.74	0.42	71.44	38.10	0.34
	67	100.96	62.59	0.39	90.34	57.52	0.34	78.48	52.26	0.31	64.92	46.63	0.29	49.67	40.37	0.29
	62	81.90	65.81	0.30	71.84	60.76	0.29	59.49	55.12	0.28	50.96	50.96	0.27	44.00	44.00	0.37
2500	72	135.32	65.35	0.00	125.19	60.95	0.00	112.50	55.74	0.00	97.88	49.99	0.43	81.19	43.77	0.38
	67	113.62	71.13	0.40	102.09	65.74	0.37	89.06	60.10	0.35	73.77	53.89	0.33	57.04	47.19	0.32
	62	92.61	75.57	0.33	80.84	70.07	0.32	67.76	64.04	0.32	59.14	59.14	0.32	51.35	51.35	0.41

Table 4 – Cooling Capacities (MBH) – Puron Advance (Continued)

INDOOR COIL AIR		SATURATED TEMPERATURE LEAVING EVAPORATOR (deg F)														
		35			40			45			50			55		
CFM	EWB	TC	SHC	BF	TC	SHC	BF	TC	SHC	BF	TC	SHC	BF	TC	SHC	BF
<b>SIZE6121</b>																
1500	72	103.06	49.53	0.00	94.76	45.59	0.00	84.80	41.18	0.00	73.38	36.37	0.33	59.90	31.15	0.24
	67	85.67	52.79	0.29	76.67	48.36	0.24	66.36	43.58	0.21	54.42	38.44	0.19	41.40	32.98	0.19
	62	69.16	55.35	0.19	60.01	50.65	0.18	49.63	45.61	0.18	40.90	40.90	0.16	34.84	34.84	0.28
2000	72	120.52	57.59	0.00	111.65	53.60	0.00	100.15	48.68	0.00	87.04	43.36	0.35	71.33	37.42	0.28
	67	100.92	62.70	0.31	90.57	57.74	0.28	78.70	52.44	0.26	64.85	46.63	0.24	49.44	40.29	0.23
	62	81.71	66.56	0.24	71.22	61.44	0.23	58.99	55.63	0.23	50.71	50.71	0.22	43.27	43.27	0.33
2500	72	134.87	64.31	0.00	124.88	60.00	0.00	112.29	54.77	0.00	97.83	49.03	0.37	80.43	42.64	0.32
	67	112.96	70.85	0.34	101.53	65.51	0.32	88.41	59.76	0.30	73.15	53.56	0.28	55.95	46.55	0.27
	62	91.55	75.92	0.28	79.97	70.52	0.27	66.75	64.52	0.26	58.94	58.94	0.27	50.53	50.53	0.37
<b>SIZE6124</b>																
INDOOR COIL AIR		SATURATED TEMPERATURE LEAVING EVAPORATOR (deg F)														
		35			40			45			50			55		
CFM	EWB	TC	SHC	BF	TC	SHC	BF	TC	SHC	BF	TC	SHC	BF	TC	SHC	BF
<b>SIZE6124</b>																
1500	72	103.06	49.53	0.00	94.76	45.59	0.00	84.80	41.18	0.00	73.38	36.37	0.33	59.90	31.15	0.24
	67	85.67	52.79	0.29	76.67	48.36	0.24	66.36	43.58	0.21	54.42	38.44	0.19	41.40	32.98	0.19
	62	69.16	55.35	0.19	60.01	50.65	0.18	49.63	45.61	0.18	40.90	40.90	0.16	34.84	34.84	0.28
2000	72	120.52	57.59	0.00	111.65	53.60	0.00	100.15	48.68	0.00	87.04	43.36	0.35	71.33	37.42	0.28
	67	100.92	62.70	0.31	90.57	57.74	0.28	78.70	52.44	0.26	64.85	46.63	0.24	49.44	40.29	0.23
	62	81.71	66.56	0.24	71.22	61.44	0.23	58.99	55.63	0.23	50.71	50.71	0.22	43.27	43.27	0.33
2500	72	134.87	64.31	0.00	124.88	60.00	0.00	112.29	54.77	0.00	97.83	49.03	0.37	80.43	42.64	0.32
	67	112.96	70.85	0.34	101.53	65.51	0.32	88.41	59.76	0.30	73.15	53.56	0.28	55.95	46.55	0.27
	62	91.55	75.92	0.28	79.97	70.52	0.27	66.75	64.52	0.26	58.94	58.94	0.27	50.53	50.53	0.37

CFM - Cubic Ft. per Minute      EWB - Entering Wet Bulb (°F)      LWB - Leaving Wet Bulb (°F)      TC - Gross Cooling Capacity 1000 Btuh  
 SHC - Gross Sensible Capacity 1000 Btuh      BF - Bypass Factor      MBH - 1000 Btuh

**COOLING CAPACITIES NOTES:**

- Contact manufacturer for cooling capacities at conditions other than shown in table.
- Formulas:  
 Leaving db = entering db -  $\frac{\text{sensible heat cap.}}{1.09 \times \text{CFM}}$   
 Leaving wb = wb corresponding to enthalpy of air leaving coil ( $h_{LWB}$ )  
  
 $h_{LWB} = h_{EWB} - \frac{\text{total capacity (Btuh)}}{4.5 \times \text{CFM}}$   
 Where  $h_{EWB}$  = enthalpy of air entering coil
- SHC is based on 80°F db temperature of air entering the evaporator coil.  
 Below 80°F db, subtract (Correction Factor x CFM) from SHC.  
 Above 80°F db, add (Correction Factor x CFM) to SHC.
- Direct interpolation is permissible. Do not extrapolate.
- Fan motor heat has not been deducted.
- All data points are based on approximately 10°F superheat measured at the suction service valve and use of thermostatic expansion valve (TXV) device.

7. Before using maximum cfm shown in table, check coil static pressure drop to ensure system blower can provide necessary static pressure needed for coil and duct systems.
8. Bypass Factor = 0 indicates no psychometric solution. Use bypass factor of next lower EWB for approximation.

BYPASS FACTOR	ENTERING AIR DRY BULB TEMPERATURE (°F)					
	79	78	77	76	75	Under 75
	81	82	83	84	84	Above 85
Correction Factor						
0.10	0.98	1.96	2.94	3.92	4.91	Use formula shown below
0.20	0.87	1.74	2.62	3.49	4.36	
0.30	0.76	1.53	2.29	3.05	3.82	

Interpolation is permissible.

$$\text{Correction Factor} = 1.09 \times (1 - \text{BF}) \times (\text{db} - 80)$$