



325 COMMERCE DRIVE
 MT VERNON, OH 43050
 800-253-8236

SPECIFICATION DATA SHEET

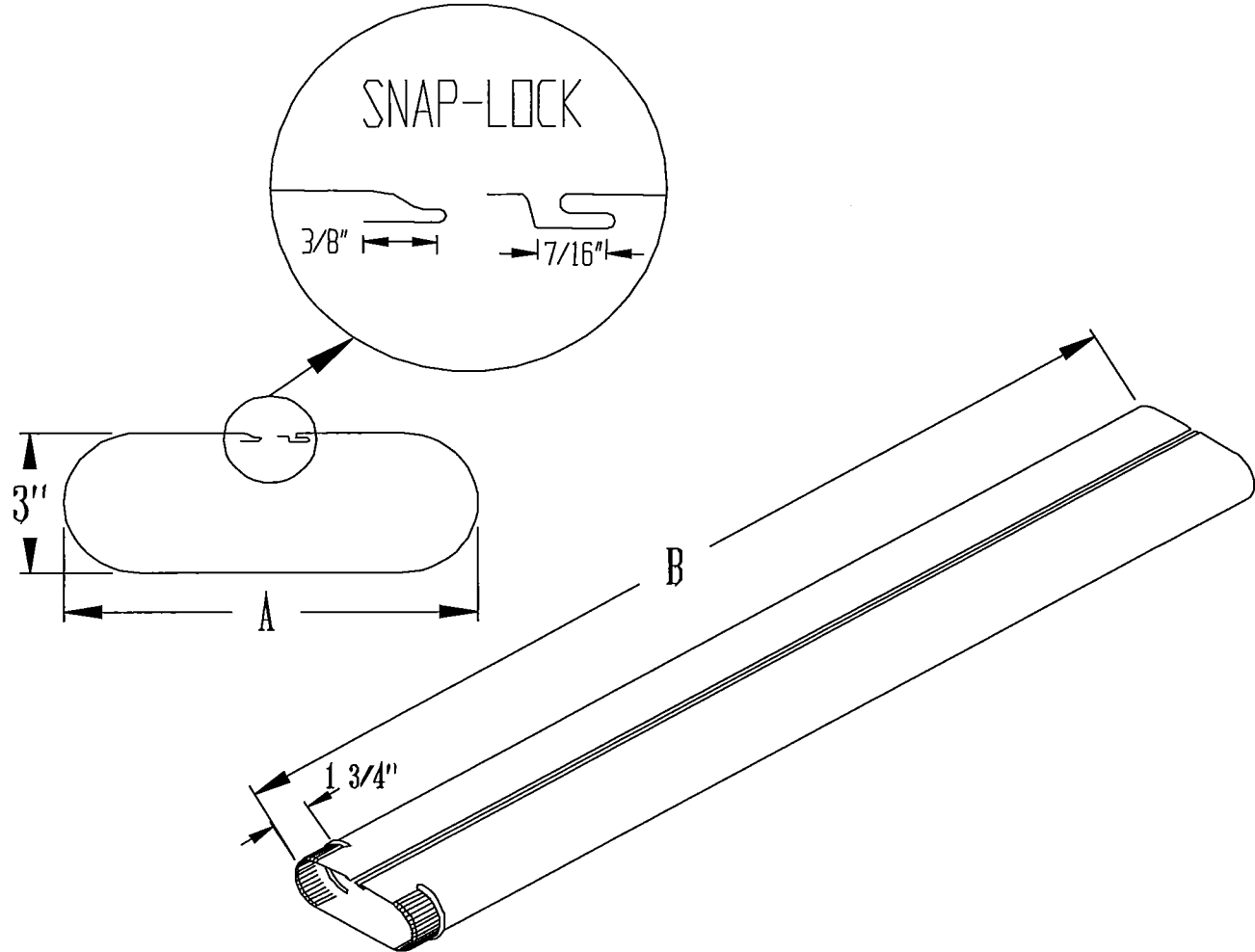
DATE: 11-2-12
 PREPARED BY: RL

**MODEL NO. 111
 STD GA OVAL PIPE**

STANDARD MODEL

DIMENSIONS

SIZE	LENGTHS AVAIL.		GAGE
	A	B	
4"	4 5/8"	60", 100", 120"	STD
5"	6 1/8"	60", 100", 112"	STD
6"	7 5/8"	48", 60", 100", 112", 114", 120"	STD
7"	9 1/4"	48", 60", 100", 112", 114"	STD
8"	10 3/4"	60", 100", 112", 114"	STD



MATERIAL SPECIFICATIONS

HOT DIPPED GALVANIZED STEEL.
 PER ASTM A 653 CSB.

OPTIONS

ECONO GAUGE ALSO AVAILABLE

JOB: _____
 LOCATION: _____
 CONTRACTOR: _____
 ENGINEER: _____
 NOTES: _____