



325 COMMERCE DRIVE  
 MT VERNON, OH 43050  
 800-253-8236

**SPECIFICATION DATA SHEET**

DATE: 7-25-13  
 PREPARED BY: RL

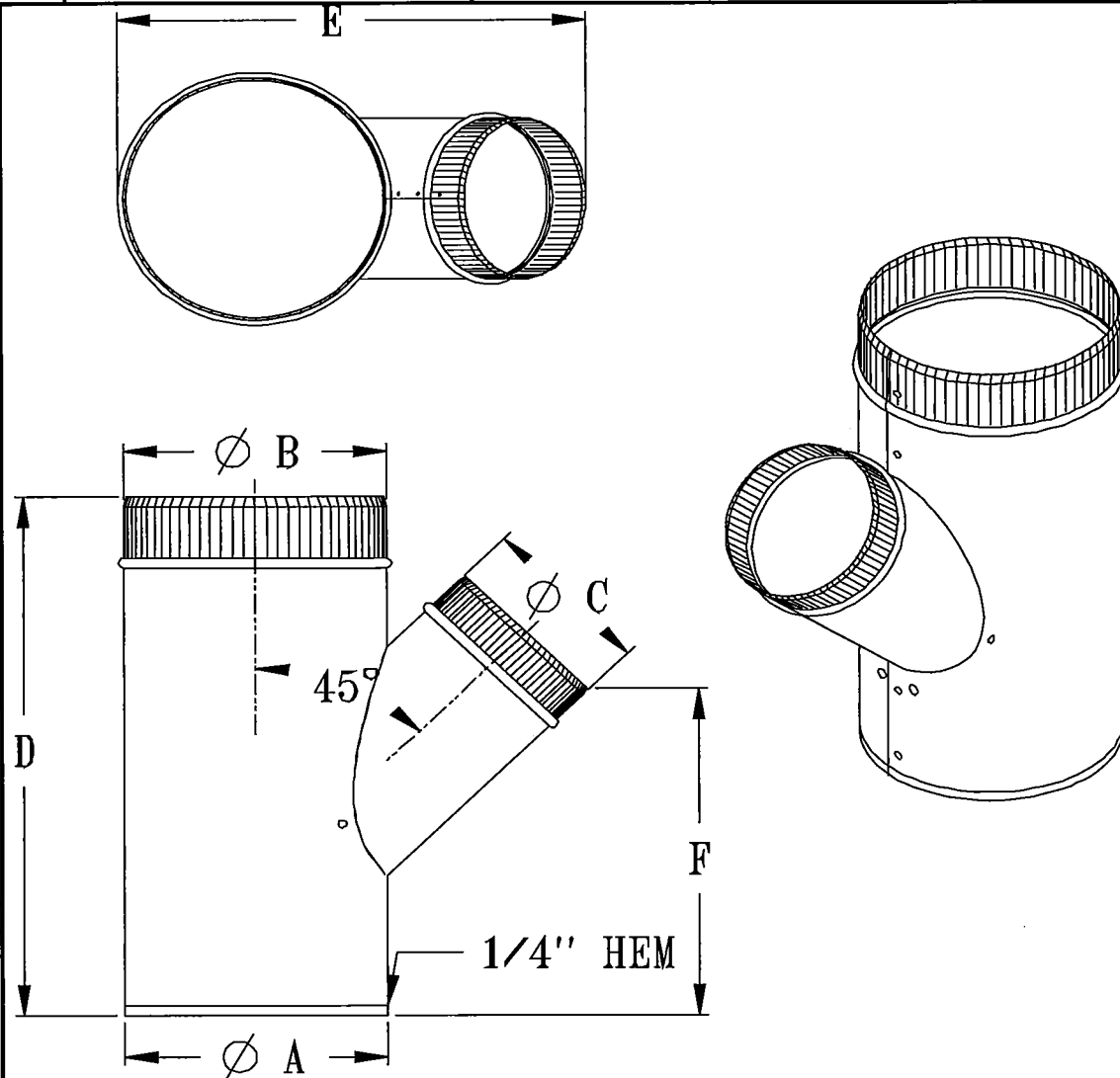
**MODEL NO. 425**

**WYE**

**STRAIGHT MODEL**

**DIMENSIONS**

| SIZE |   |     | D | E   | F         |           |           |
|------|---|-----|---|-----|-----------|-----------|-----------|
| A    | x | B   | x | C   |           |           |           |
| 4"   | x | 4"  | x | 4"  | 12 3/8"   | 9 1/4"    | 8 1/2"    |
| 5"   | x | 5"  | x | 4"  | 12 3/8"   | 10 1/4"   | 8 1/2"    |
| 5"   | x | 5"  | x | 5"  | 13 13/16" | 11"       | 9 1/4"    |
| 6"   | x | 6"  | x | 3"  | 11"       | 10 9/16"  | 7 7/8"    |
| 6"   | x | 6"  | x | 4"  | 12 3/8"   | 11 5/16"  | 8 1/2"    |
| 6"   | x | 6"  | x | 6"  | 15 1/4"   | 12 11/16" | 10"       |
| 7"   | x | 7"  | x | 4"  | 12 3/8"   | 12"       | 8 1/2"    |
| 7"   | x | 7"  | x | 7"  | 16 11/16" | 14 3/8"   | 10 11/16" |
| 8"   | x | 8"  | x | 4"  | 12 3/8"   | 13 1/16"  | 8 1/2"    |
| 8"   | x | 8"  | x | 5"  | 13 13/16" | 13 3/4"   | 9 1/4"    |
| 8"   | x | 8"  | x | 6"  | 15 1/4"   | 14 11/16" | 10"       |
| 8"   | x | 8"  | x | 8"  | 18 1/16"  | 16 3/16"  | 11 3/8"   |
| 9"   | x | 9"  | x | 8"  | 18 5/16"  | 17 1/8"   | 11 5/8"   |
| 10"  | x | 10" | x | 4"  | 12 3/8"   | 10 1/4"   | 8 1/2"    |
| 10"  | x | 10" | x | 6"  | 15 1/4"   | 16 11/16" | 10"       |
| 10"  | x | 10" | x | 8"  | 18 1/16"  | 18 1/8"   | 11 3/8"   |
| 10"  | x | 10" | x | 10" | 20 7/8"   | 19 1/2"   | 12 3/4"   |
| 12"  | x | 12" | x | 6"  | 15 1/4"   | 18 11/16" | 10"       |
| 12"  | x | 12" | x | 8"  | 18 1/16"  | 20 1/16"  | 11 3/8"   |
| 12"  | x | 12" | x | 10" | 20 7/8"   | 21 1/2"   | 12 3/4"   |
| 12"  | x | 12" | x | 12" | 23 3/4"   | 22 15/16" | 14 1/4"   |
| 14"  | x | 14" | x | 6"  | 15 1/4"   | 20 11/16" | 10"       |
| 14"  | x | 14" | x | 8"  | 18 1/16"  | 22 1/8"   | 11 3/8"   |
| 14"  | x | 14" | x | 10" | 20 7/8"   | 23 1/2"   | 12 3/4"   |
| 14"  | x | 14" | x | 12" | 23 3/4"   | 24 15/16" | 14 1/4"   |
| 14"  | x | 14" | x | 14" | 26 9/16"  | 26 3/8"   | 15 5/8"   |
| 16"  | x | 16" | x | 16" | 29 3/8"   | 29 3/4"   | 17 1/16"  |
| 18"  | x | 18" | x | 10" | 20 7/8"   | 27 1/2"   | 12 3/4"   |
| 18"  | x | 18" | x | 12" | 23 3/4"   | 18 15/16" | 14 1/4"   |
| 18"  | x | 18" | x | 18" | 32 1/8"   | 33 3/16"  | 18 7/16"  |



**MATERIAL SPECIFICATIONS**

HOT DIPPED GALVANIZED STEEL.  
 PER ASTM A 653 CSB.

ASSEMBLED WITH 1/8" ZINC COATED RIVETS.

BODIES: "A" DIMENSION 3" - 8" = STD GAUGE MINIMUM  
 "A" DIMENSION 9" - 14" = 28 GAUGE MINIMUM  
 "A" DIMENSION 16" & UP = 26 GAUGE MINIMUM

**OPTIONS**

HEAVIER GAUGES AVAILABLE

AVAILABLE WITHOUT CRIMP

JOB: \_\_\_\_\_  
 LOCATION: \_\_\_\_\_  
 CONTRACTOR: \_\_\_\_\_  
 ENGINEER: \_\_\_\_\_  
 NOTES: \_\_\_\_\_