



Date:  
11/10/2017

Weights:  
0lbs/0kg

Units:

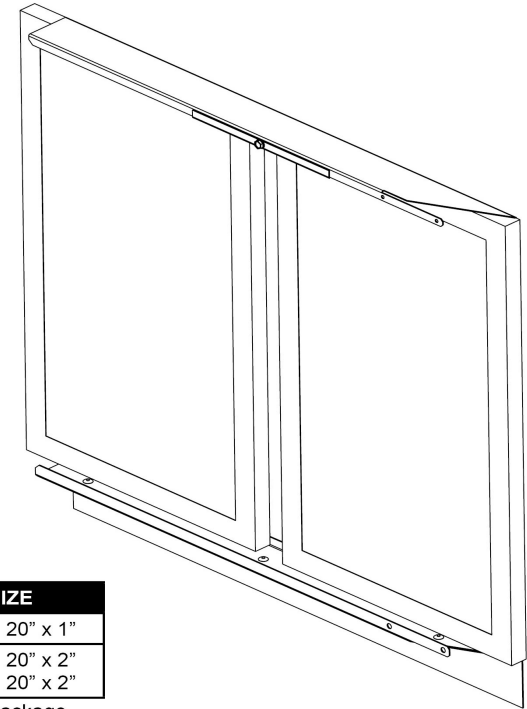
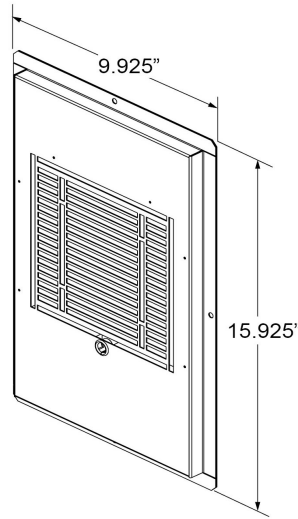
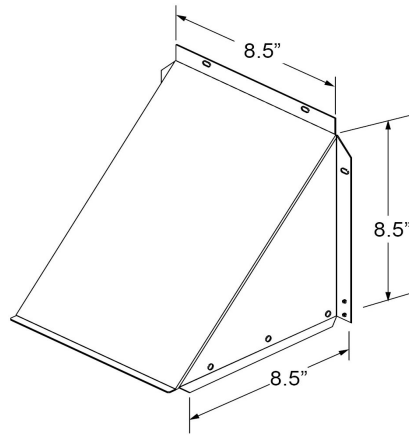
Part Number:  
OAM-SDSML-CD

Submitted To:

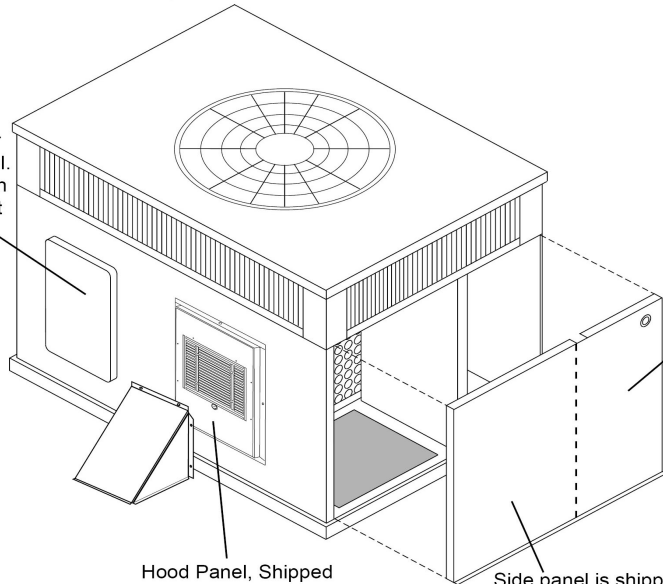
Job:

Notes:

Outside Air Hood - Unit Specific, Manual Adjustment Damper - 25% Outside Air & Filter Rack , CFM 610 @ 650FPM - 12 X 12 X 12 , No Aluminium Filter , Painted In The Color Gray. Field Fabrication May Be Necessary. Includes One 17.5 Inch X 11.5 Inch Painted Blankoff Panel, And A Filter Rack Containing Two 12x20x1 Filters.



Supply air cover panel. Shipped on HVAC unit



Hood Panel, Shipped with Package

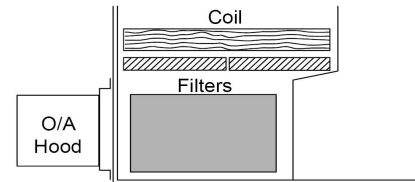
On the newer HVAC units, this is (2) separate panels

Side panel is shipped with the HVAC unit. Remove to install filter rack and replace filters.

**FILTER RACK SIZE**

1" Filters	(2) 12" x 20" x 1"
2" Filters	(1) 10" x 20" x 2" (1) 12" x 20" x 2"

\*1" Filters shipped with package



TOP VIEW

The Information contained in this drawing is the sole property of Micrometl Corporation. Any reproduction in part or whole without the written permission of Micrometl Corporation is prohibited.