

3/4" - 2" 4900 Series Air Separators

SUPERSEDES: February 15, 2010

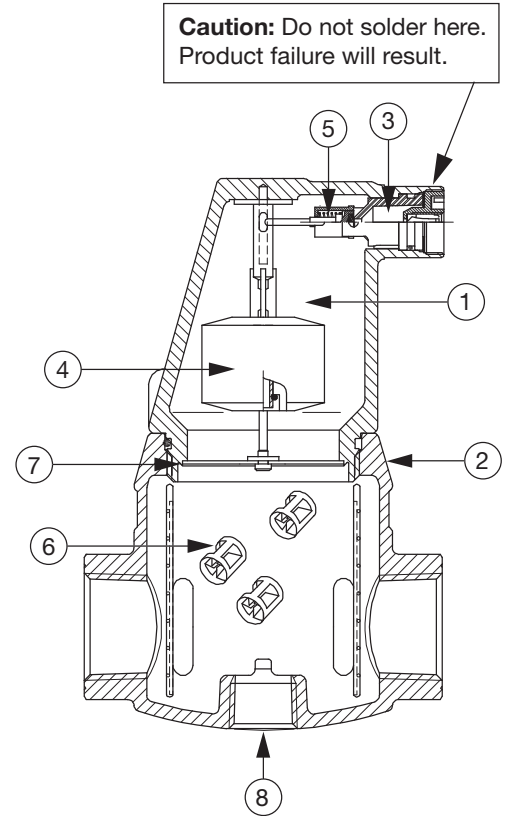
EFFECTIVE: September 15, 2010

Plant I.D. No. 001-3814

CAUTION: Use proper soldering techniques on the correct places (see encircled areas on Figure 3) when installing a sweat style unit. **Do Not Overheat!** Overheating during installation may cause the venting mechanism to fail and to leak system fluid.

Installation Instructions:

- The Taco air separator should be installed on the supply side of the boiler or terminal heating (or cooling) unit as shown in Figure 1 and Figure 2.
 - The Taco air separator should be installed in a horizontal line in a vertical (or upright) position. It will not operate properly if installed at an angle, sideways, or upside down.
 - The Taco air separator may be installed so that the flow direction is either RIGHT to LEFT or LEFT to RIGHT. There is no minimum length of straight pipe required before entering the air separator.
 - The 1/2" female NPT connection on the bottom of the air separator is provided for connecting a diaphragm type expansion tank.
 - The maximum allowable velocity within the Taco air separator is 5 ft/sec.
 - For the Taco air separator to vent air properly, the fill pressure of the system must always be higher than atmospheric pressure. If the atmospheric pressure is higher than the fill pressure of the system, outside air will be pulled into the system.
 - The Taco air separator is intended for installations filled with 100% water or approved glycol solutions (Do Not Exceed 50% Glycol) for hydronic heating or cooling systems. However, please check with your local dealer, distributor or representative when using other boiler or system additives.
 - The Taco air separator will arrive with its air valve open. The air valve can be closed off by turning the screw clockwise. However, for normal automatic performance the vent valve must be open.
 - Do not remove the inlet and outlet screens. These screens keep the "pall" rings in place. Removal of the screens will allow the rings to enter the system and possibly cause damage to system components.
 - Please note that after installing a new system or retrofitting an old, close the vent and flush out the disturbed dirt as well as any oil film or solder paste entrained in the system water. This reduces the possibility of debris becoming lodged in the air valve mechanism causing it to stick open and leak.
- You may open the vent for automatic operation after the system is flushed.
- Please leave these instructions with the end user.
 - Taco air separators are for professional use only.



- | | |
|--------------------|------------------------|
| 1. Air chamber | 5. Gearing |
| 2. Housing (brass) | 6. PALL rings |
| 3. Venting valve | 7. Protective filter |
| 4. Float | 8. 1/2" NPT connection |

- Maximum working temperature 240°F
- Minimum working temperature 35°F
- Maximum working pressure 150 psi

Figure 1

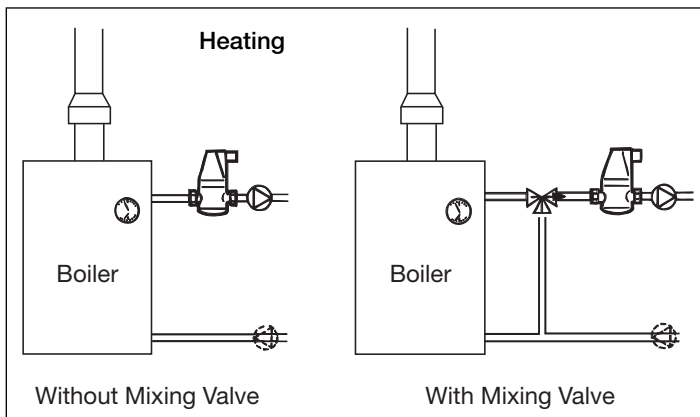


Figure 2

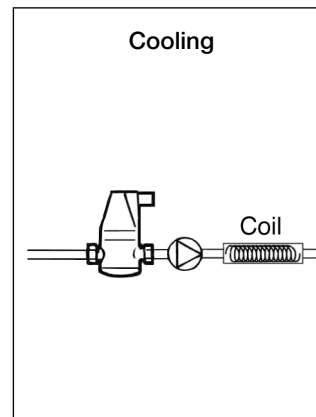
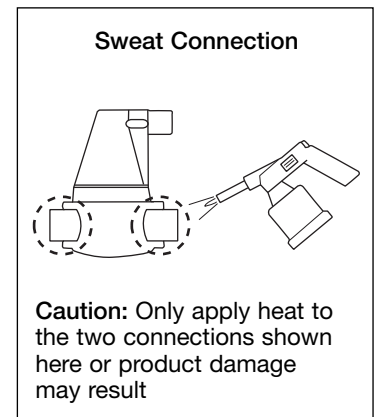


Figure 3



LIMITED WARRANTY STATEMENT

Taco, Inc. ("Taco" or the "Company") will repair or replace without charge (at the Company's option) any Taco product or part which is proven defective under normal use within one (1) year of the date of first use or within one (1) year and six (6) months of shipment from Taco (whichever occurs first).

In order to obtain service under this warranty, it is the responsibility of the purchaser to promptly notify the local Taco stocking distributor or Taco in writing and promptly deliver the subject product or part, delivery prepaid, to the stocking distributor. For assistance on warranty returns, the purchaser may either contact the local Taco stocking distributor or Taco. If the subject product or part contains no defect as covered in this warranty, the purchaser will be billed for parts and labor charges in effect at time of factory examination and repair.

Any Taco product or part not installed or operated in conformity with Taco instructions or which

has been subject to misuse, misapplication, the addition of petroleum-based fluids or certain chemical additives to the systems, or other abuse, will not be covered by this warranty.

If in doubt as to whether a particular substance is suitable for use with a Taco product or part, or for any application restrictions, consult the applicable Taco instruction sheets or contact Taco at [401-942-8000].

Taco reserves the right to provide replacement products and parts which are substantially similar in design and functionally equivalent to the defective product or part. Taco reserves the right to make changes in details of design, construction, or arrangement of materials of its products without notification.

TACO OFFERS THIS WARRANTY IN LIEU OF ALL OTHER EXPRESS WARRANTIES. ANY WARRANTY IMPLIED BY LAW INCLUDING WARRANTIES OF MERCHANTABILITY OR

FITNESS IS IN EFFECT ONLY FOR THE DURATION OF THE EXPRESS WARRANTY SET FORTH IN THE FIRST PARAGRAPH ABOVE.

THE ABOVE WARRANTIES ARE IN LIEU OF ALL OTHER WARRANTIES, EXPRESS OR STATUTORY, OR ANY OTHER WARRANTY OBLIGATION ON THE PART OF TACO.

TACO WILL NOT BE LIABLE FOR ANY SPECIAL, INCIDENTAL, INDIRECT OR CONSEQUENTIAL DAMAGES RESULTING FROM THE USE OF ITS PRODUCTS OR ANY INCIDENTAL COSTS OF REMOVING OR REPLACING DEFECTIVE PRODUCTS.

This warranty gives the purchaser specific rights, and the purchaser may have other rights which vary from state to state. Some states do not allow limitations on how long an implied warranty lasts or on the exclusion of incidental or consequential damages, so these limitations or exclusions may not apply to you.



Taco, Inc., 1160 Cranston Street, Cranston, RI 02920 | Tel: (401) 942-8000 | FAX: (401) 942-2360

Taco (Canada), Ltd., 8450 Lawson Road, Suite #3, Milton, Ontario L9T 0J8 | Tel: (905) 564-9422 | FAX: (905) 564-9436

Visit our web site: www.TacoComfort.com | Printed in USA | ©2017 Taco, Inc.

