



325 COMMERCE DRIVE  
 MT VERNON, OH 43050  
 800-253-8236

## SPECIFICATION DATA SHEET

DATE: 4-8-13  
 PREPARED BY: RL

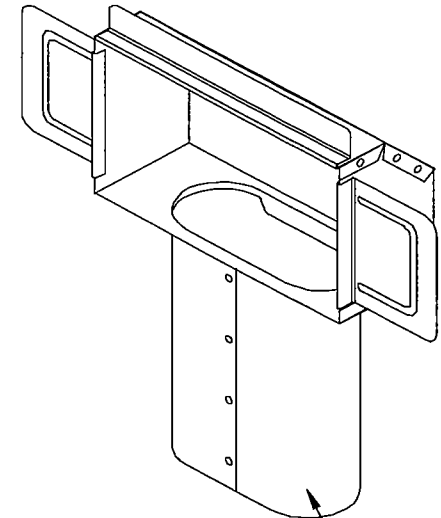
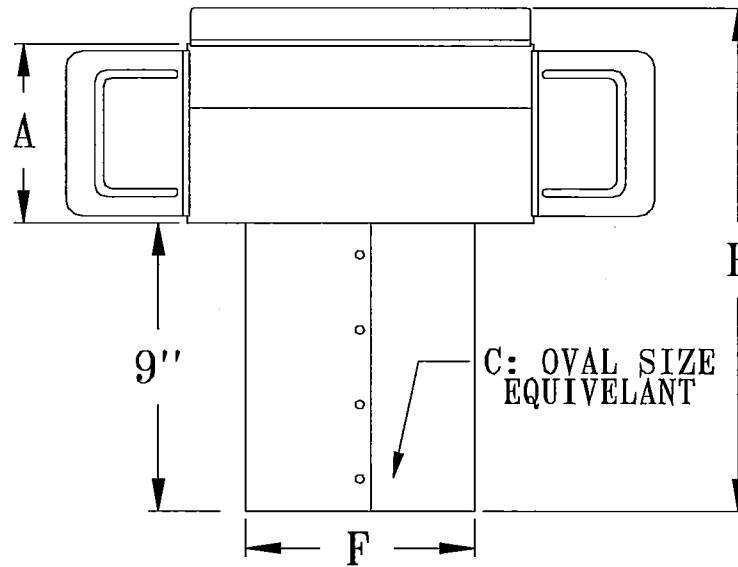
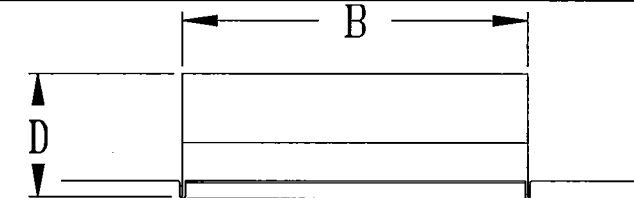
# MODEL NO. 967

## OVAL STACKHEAD WEARS & 9" THROAT

ANGLEHEAD MODEL

### DIMENSIONS

SIZE							
A	x	B	x	C	D	E	F
6"	x	10"	x	5"	3 7/8"	16 5/16"	6 1/8"
6"	x	10"	x	6"	3 7/8"	16 5/16"	7 5/8"
6"	x	10"	x	7"	3 7/8"	16 5/16"	9 1/4"
6"	x	12"	x	6"	3 7/8"	16 5/16"	7 5/8"
6"	x	12"	x	7"	3 7/8"	16 5/16"	9 1/4"
6"	x	12"	x	8"	3 7/8"	16 5/16"	10 3/4"
6"	x	14"	x	6"	3 7/8"	16 5/16"	7 5/8"
6"	x	14"	x	7"	3 7/8"	16 5/16"	9 1/4"
6"	x	14"	x	8"	3 7/8"	16 5/16"	10 3/4"



Oval Tube:  
 \*1.5" Radius

### MATERIAL SPECIFICATIONS

HOT DIPPED GALVANIZED STEEL.  
 PER ASTM A 653 CSB.

ASSEMBLED WITH 1/8" ZINC COATED RIVETS.

STD GAUGE CONSTRUCTION  
 BOOT CLIPS ARE STD GAUGE  
 EARS ARE STD GAUGE

**NOTE: EARS ARE SHOWN IN INSTALLATION POSITION.**

### OPTIONS

JOB: \_\_\_\_\_  
 LOCATION: \_\_\_\_\_  
 CONTRACTOR: \_\_\_\_\_  
 ENGINEER: \_\_\_\_\_  
 NOTES: \_\_\_\_\_



325 COMMERCE DRIVE  
 MT VERNON, OH 43050  
 800-253-8236

**SPECIFICATION DATA SHEET**

DATE: 4-8-13  
 PREPARED BY: RL

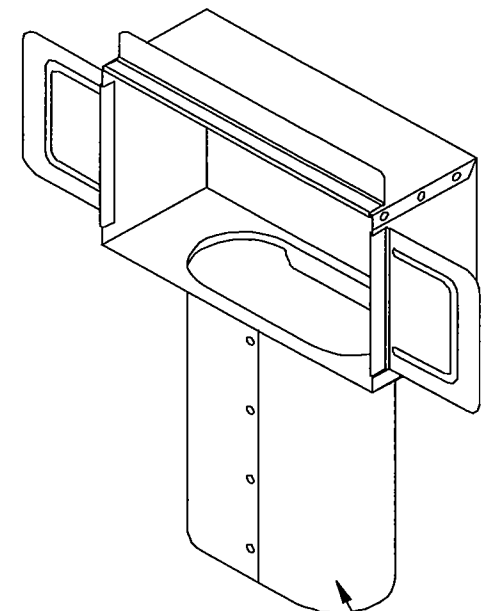
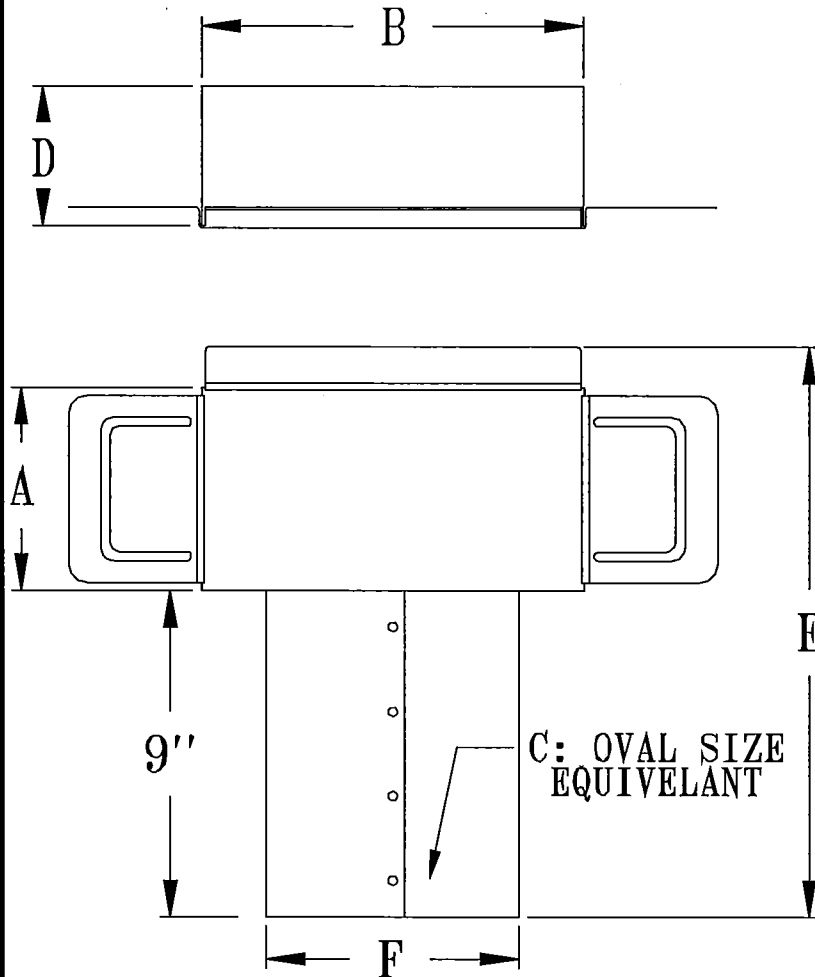
**MODEL NO. 967**

**OVAL STACKHEAD W/EARS & 9" THROAT**

SQUAREBACK MODEL

**DIMENSIONS**

SIZE						
A	x	B	x	C	D	F
4"	x	10"	x	4"	3 7/8"	4 1/2"
4"	x	10"	x	5"	3 7/8"	6 1/8"
4"	x	10"	x	6"	3 7/8"	7 5/8"
4"	x	10"	x	7"	3 7/8"	9 1/4"
4"	x	12"	x	6"	3 7/8"	7 5/8"
4"	x	12"	x	7"	3 7/8"	9 1/4"
6"	x	8"	x	4"	3 7/8"	4 1/2"
6"	x	8"	x	5"	3 7/8"	6 1/8"
6"	x	8"	x	6"	3 7/8"	7 5/8"
6"	x	10"	x	4"	3 7/8"	4 1/2"
6"	x	10"	x	5"	3 7/8"	6 1/8"
6"	x	10"	x	6"	3 7/8"	7 5/8"
6"	x	10"	x	7"	3 7/8"	9 1/4"
6"	x	12"	x	6"	3 7/8"	7 5/8"
6"	x	12"	x	7"	3 7/8"	9 1/4"
6"	x	12"	x	8"	3 7/8"	10 3/4"
6"	x	14"	x	7"	3 7/8"	9 1/4"
6"	x	14"	x	8"	3 7/8"	10 3/4"
8"	x	14"	x	7"	3 7/8"	9 1/4"
8"	x	14"	x	8"	3 7/8"	10 3/4"



Oval Tube:  
 \*1.5" Radius

**MATERIAL SPECIFICATIONS**

HOT DIPPED GALVANIZED STEEL.

PER ASTM A 653 CSB.

ASSEMBLED WITH 1/8" ZINC COATED RIVETS.

STD GAUGE CONSTRUCTION

BOOT CLIPS ARE STD GAUGE

EARS ARE STD GAUGE

**OPTIONS**

**NOTE: EARS ARE SHOWN IN INSTALLATION POSITION.**

JOB: \_\_\_\_\_  
 LOCATION: \_\_\_\_\_  
 CONTRACTOR: \_\_\_\_\_  
 ENGINEER: \_\_\_\_\_  
 NOTES: \_\_\_\_\_