

tekmar® Submittal

Programmable Thermostat 521



Zoning

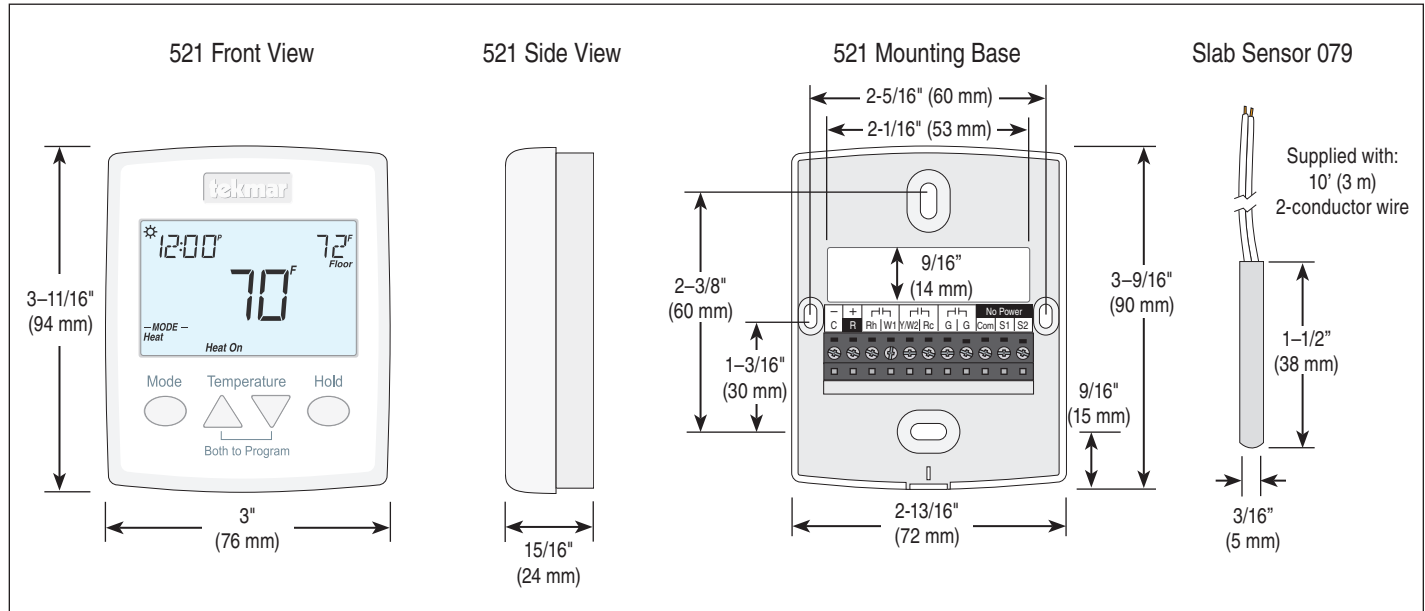
521_C

01/14

Replaces: New

Job _____ Designer _____ Contact _____

The Programmable Thermostat 521 is designed for three different modes of operation: single stage heating, two stages of heating with a fan, or one stage of heating and one stage of cooling with a fan. Two auxiliary sensors may be added to measure the floor, outdoor or room temperature. A Slab Sensor 079 is included to measure floor temperature to protect the floor from overheating and enhance comfort. The programmable schedule supports either a 7 day or 24 hour schedule with 2 or 4 events per day. A permanent temperature hold button overrides the programmable schedule. An optional Adaptor Plate 012 is available to allow the thermostat to mount onto a single gang electrical box.



Specifications

| Programmable Thermostat 521 Two Heat or Heat-Cool (Includes Sensor 079) | |
|---|--|
| Literature | 521_A, 521_C, 521_D, 521_Q, 521_U |
| Control | Microprocessor control. This is not a safety (limit) control |
| Packaged weight | 0.6 lb. (290 g) |
| Dimensions | 3-11/16" H x 3" W x 15/16" D (94 x 76 x 24 mm) |
| Enclosure | White PVC plastic, NEMA type 1 |
| Approvals | Meets Class B: ICES & FCC Part 15, CE |
| Ambient conditions | Indoor use only, 32 to 122°F (0 to 50°C), RH ≤90% non-condensing |
| Power supply | 10 to 30 V (ac/dc), 50/60 Hz, 1.8 VA, Class 2 |
| Relays | 30 V (ac/dc) 2 A, Class 2 circuits |
| Sensor | NTC thermistor, 10 kΩ @ 77°F (25°C ±0.2°C) β=3892 |
| -Included | Slab Sensor 079 |
| -Optional | tekmar type # 070, 072, 073, 076, 077, 079, 084 |
| Warranty | Limited 3 Year (See 521_D for full warranty) |

Energy Saving Features

- 7 Day Programmable Schedule

Additional Features

- Optimum Start
- Permanent Temperature Hold
- Radiant Floor Heating
- Two Stage Heating
- Cooling
- Fan
- Backlight
- Outdoor and Floor Temperature Display
- Time Clock
- Four Hour Battery-free Clock Backup

Slab Sensor 079 10' (3 m) wire

| | |
|-----------------|---|
| Dimensions | 3/16" OD x 1-1/2" (5 mm OD x 38 mm) |
| Enclosure | 316 stainless steel, 10' (3 m) 24 AWG, 300 volt PVC insulated Zipcord |
| Approvals | CSA C US |
| Operating range | -58 to 221°F (-50 to 105°C) |
| Sensor | NTC thermistor, 10 kΩ @ 77°F (25°C ±0.2°C) β=3892 |

Scan code for quick link to product page on tekmarControls.com



