



325 COMMERCE DRIVE
 MT VERNON, OH 43050
 800-253-8236

SPECIFICATION DATA SHEET

DATE: 4-30-13
 PREPARED BY: RL

MODEL NO. 018
ROUND DAMPER SET ASSEMBLED

STANDARD MODEL

DIMENSIONS

SIZE	A	GAUGES AVAILABLE
4"	3 3/4"	28
5"	4 3/4"	28
6"	5 3/4"	28, 26
7"	6 3/4"	28, 26
8"	7 3/4"	28, 26
9"	8 3/4"	26
10"	9 3/4"	26
12"	11 3/4"	26,
14"	13 3/4"	24
16"	15 3/4"	24

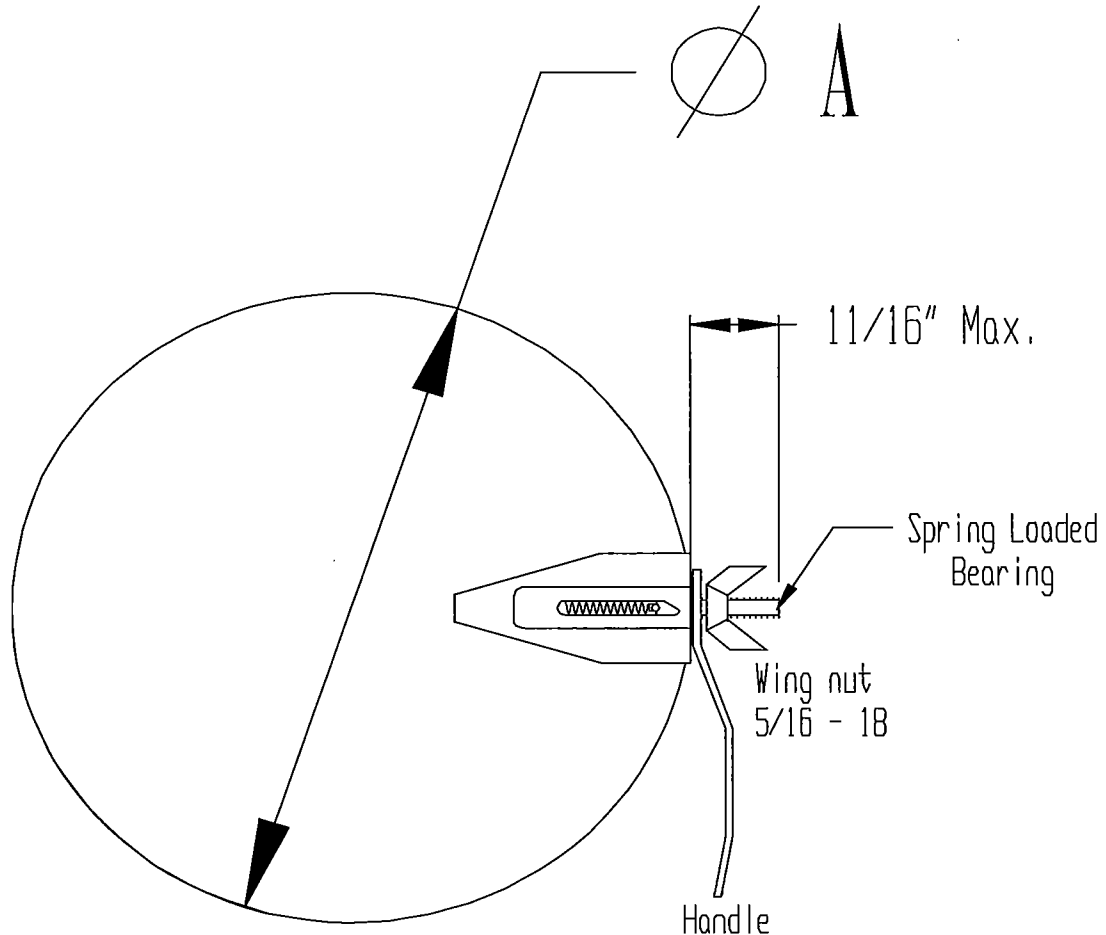
MATERIAL SPECIFICATIONS

DISC IS HOT DIPPED GALVANIZED STEEL.
 PER ASTM A 653 CSB.

WINGNUT: 5/16-18, ZINC PLATED STEEL

DAMPER HANDLE = 18GA

OPTIONS



HANDLE AND WING NUT ARE ATTACHED

JOB: _____
 LOCATION: _____
 CONTRACTOR: _____
 ENGINEER: _____
 NOTES: _____