



325 COMMERCE DRIVE
 MT VERNON, OH 43050
 800-253-8236

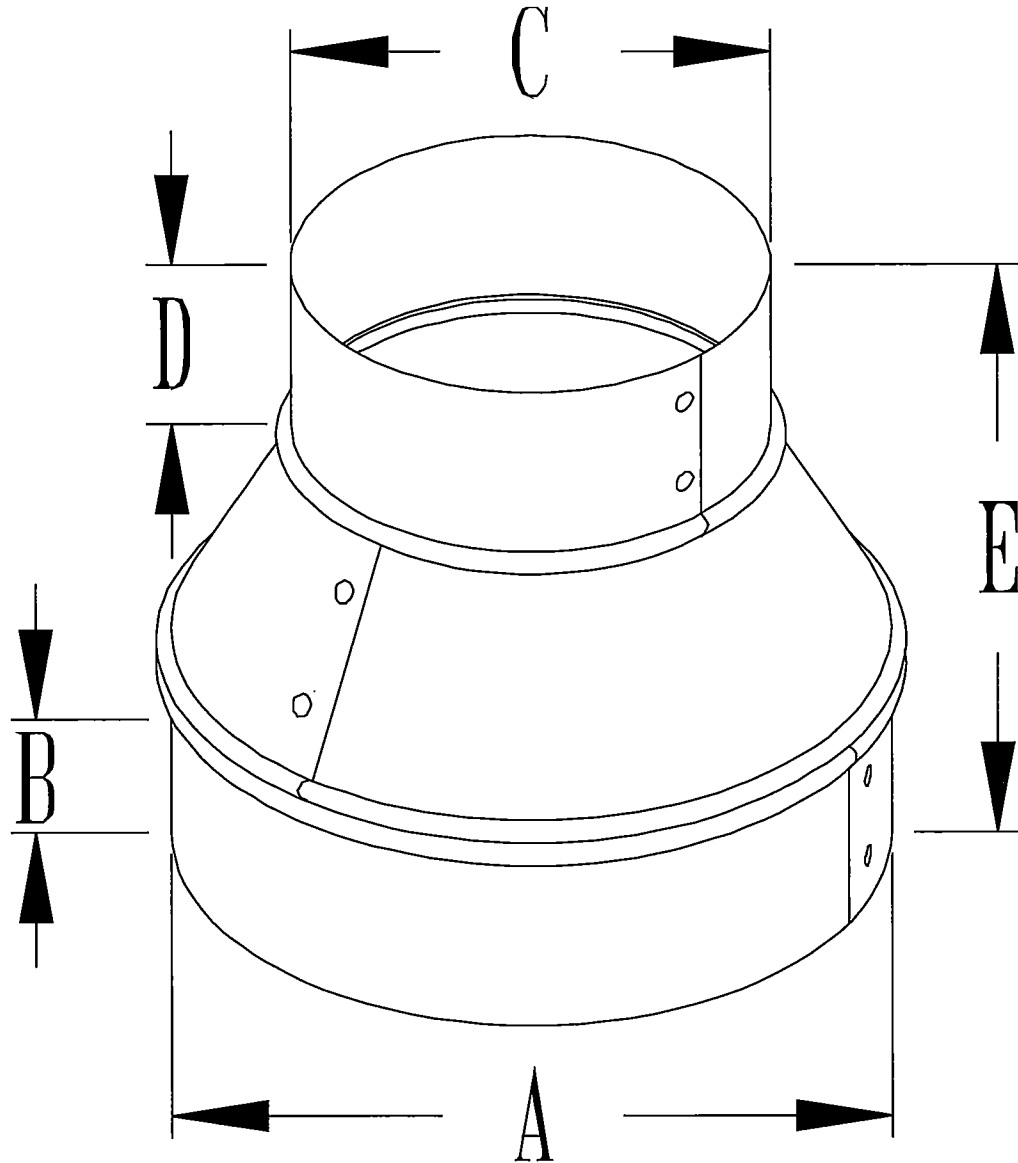
SPECIFICATION DATA SHEET

DATE: 1-3-12 PAGE: 1
 PREPARED BY: RL

MODEL NO. 431
HEAVY GAUGE TAPERED REDUCER
 STANDARD MODEL

DIMENSIONS

SIZE	A	B	C	D	E	Gauges Avail.
4x3	4"	2 1/4"	3"	2 1/4"	5 3/4"	26,28
5x3	5"	2 1/4"	3"	2 1/4"	6 1/2"	24,26,28
5x4	5"	2 1/4"	4"	2 1/4"	6 1/2"	24,26,28
6x3	6"	2 1/4"	3"	2 1/4"	6 1/2"	24,26,28
6x4	6"	2 1/4"	4"	2 1/4"	6 1/2"	24,26,28
6x5	6"	2 1/4"	5"	2 1/4"	6 1/2"	24,26,28
7x3	7"	2 1/4"	3"	2 1/4"	7 1/4"	24,26,28
7x4	7"	2 1/4"	4"	2 1/4"	6 7/8"	24,26,28
7x5	7"	2 1/4"	5"	2 1/4"	6 5/8"	24,26,28
7x6	7"	2 1/4"	6"	2 1/4"	6 1/2"	24,26,28
8x3	8"	2 1/4"	3"	2 1/4"	8 1/4"	24,26,28
8x4	8"	2 1/4"	4"	2 1/4"	7 1/4"	24,26,28
8x5	8"	2 1/4"	5"	2 1/4"	7"	24,26,28
8x6	8"	2 1/4"	6"	2 1/4"	6 1/2"	24,26,28
8x7	8"	2 1/4"	7"	2 1/4"	6 1/2"	24,26,28
9x5	9"	2 1/4"	5"	2 1/4"	7 3/4"	24,26,28
9x6	9"	2 1/4"	6"	2 1/4"	7 1/2"	24,26,28
9x7	9"	2 1/4"	7"	2 1/4"	6 3/4"	24,26,28
9x8	9"	2 1/4"	8"	2 1/4"	6 3/4"	24,26,28
10x4	10"	2 1/4"	4"	2 1/4"	9 1/2"	24,26,28
10x5	10"	2 1/4"	5"	2 1/4"	8 5/8"	24,26,28
10x6	10"	2 1/4"	6"	2 1/4"	7 3/4"	24,26,28
10x7	10"	2 1/4"	7"	2 1/4"	7 3/4"	24,26,28
10x8	10"	2 1/4"	8"	2 1/4"	6 3/4"	24,26,28
12x4	12"	2 1/4"	4"	2 1/4"	11 1/8"	24,26,28
12x6	12"	2 1/4"	6"	2 1/4"	9 1/2"	24,26,28



MATERIAL SPECIFICATIONS

HOT DIPPED GALVANIZED STEEL.
 PER ASTM A 653 CSB.
 HEAVY GAUGE CONSTRUCTION
 ASSEMBLED WITH 1/8" ZINC COATED RIVETS.

OPTIONS

5x4, 7x6, 8x6, & 8x7 available in 24ga Black

JOB: _____
 LOCATION: _____
 CONTRACTOR: _____
 ENGINEER: _____
 NOTES: _____



325 COMMERCE DRIVE
 MT VERNON, OH 43050
 800-253-8236

SPECIFICATION DATA SHEET

DATE: 1-3-12 PAGE: 2
 PREPARED BY: RL

MODEL NO. 431
HEAVY GAUGE TAPERED REDUCER
 STANDARD MODEL

DIMENSIONS

SIZE	A	B	C	D	E	Gauges Avail.
12x7	12"	2 1/4"	7"	2 1/4"	8 5/8"	24,26,28
12x8	12"	2 1/4"	8"	2 1/4"	7 3/4"	24,26,28
12x9	12"	2 1/4"	9"	2 1/4"	7 1/2"	24,26,28
12x10	12"	2 1/4"	10"	2 1/4"	6 3/4"	24,26,28
14x6	14"	2 1/4"	6"	2 1/4"	11 1/8"	24,26,28
14x8	14"	2 1/4"	8"	2 1/4"	9 1/2"	24,26,28
14x10	14"	2 1/4"	10"	2 1/4"	7 3/4"	24,26,28
14x12	14"	2 1/4"	12"	2 1/4"	6 3/4"	24,26,28
16x8	16"	2 1/4"	8"	2 1/4"	11 1/4"	24,26
16x10	16"	2 1/4"	10"	2 1/4"	9 1/2"	24,26
16x12	16"	2 1/4"	12"	2 1/4"	7 3/4"	24,26
16x14	16"	2 1/4"	14"	2 1/4"	6 3/4"	24,26
18x10	18"	2 1/4"	10"	2 1/4"	11 3/16"	24,26
18x12	18"	2 1/4"	12"	2 1/4"	9 1/2"	24,26
18x14	18"	2 1/4"	14"	2 1/4"	7 13/16"	24,26
18x16	18"	2 1/4"	16"	2 1/4"	7"	24,26
20x10	20"	2 1/4"	10"	2 1/4"	13 1/4"	24,26
20x14	20"	2 1/4"	14"	2 1/4"	9 1/2"	24,26
20x16	20"	2 1/4"	16"	2 1/4"	7 13/16"	24,26
20x18	20"	2 1/4"	18"	2 1/4"	7"	24,26
22x20	22"	2 1/4"	20"	2 1/4"	7"	24
24x14	24"	2 1/4"	14"	2 1/4"	13 1/4"	24
24x18	24"	2 1/4"	18"	2 1/4"	10 1/4"	24
24x20	24"	2 1/4"	20"	2 1/4"	8"	24
24x22	24"	2 1/4"	22"	2 1/4"	7"	24

MATERIAL SPECIFICATIONS

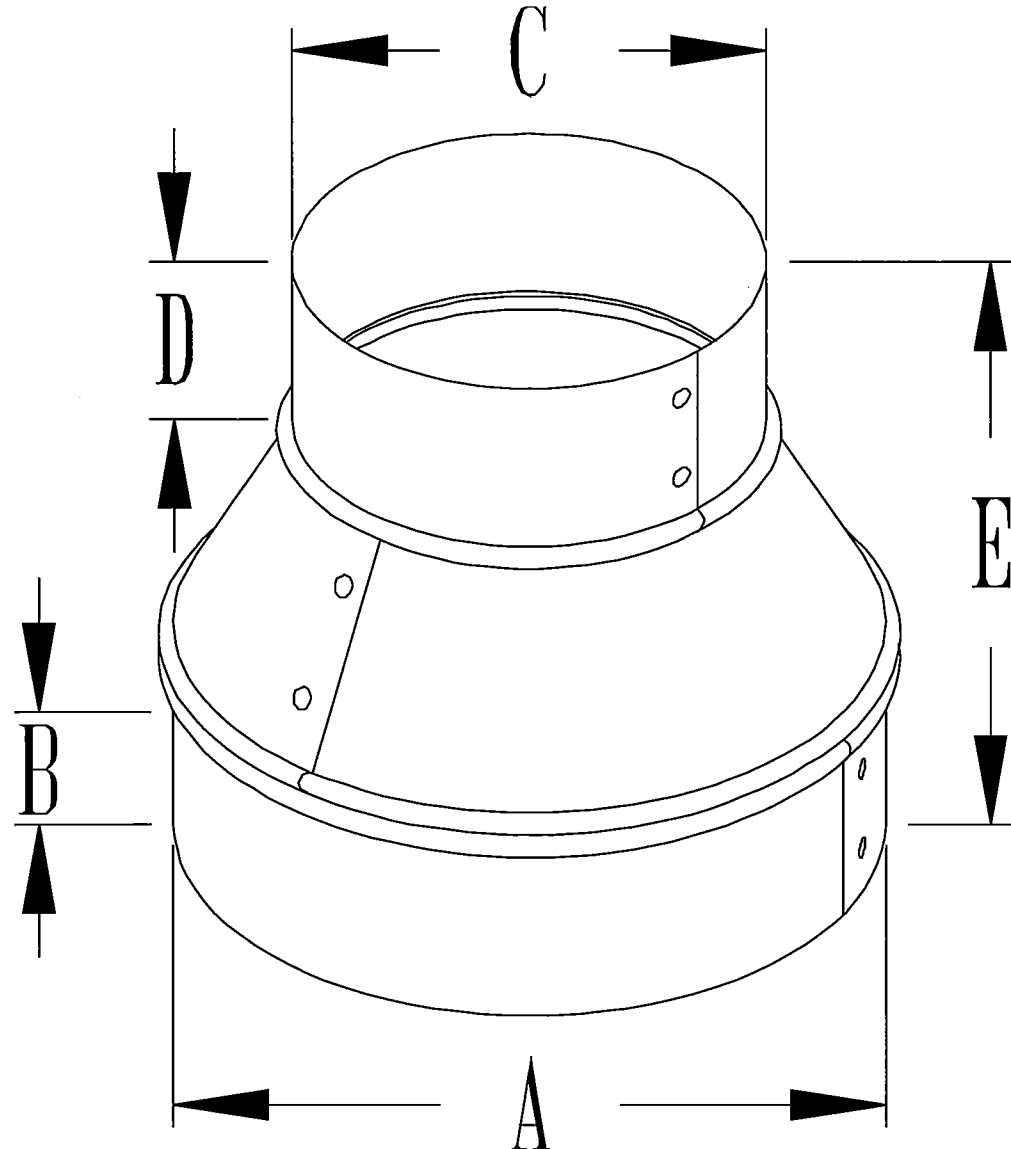
HOT DIPPED GALVANIZED STEEL.
 PER ASTM A 653 CSB.

HEAVY GAUGE CONSTRUCTION

ASSEMBLED WITH 1/8" ZINC COATED RIVETS.

OPTIONS

5x4, 7x6, 8x6, & 8x7 available in 24ga Black



JOB: _____
 LOCATION: _____
 CONTRACTOR: _____
 ENGINEER: _____
 NOTES: _____