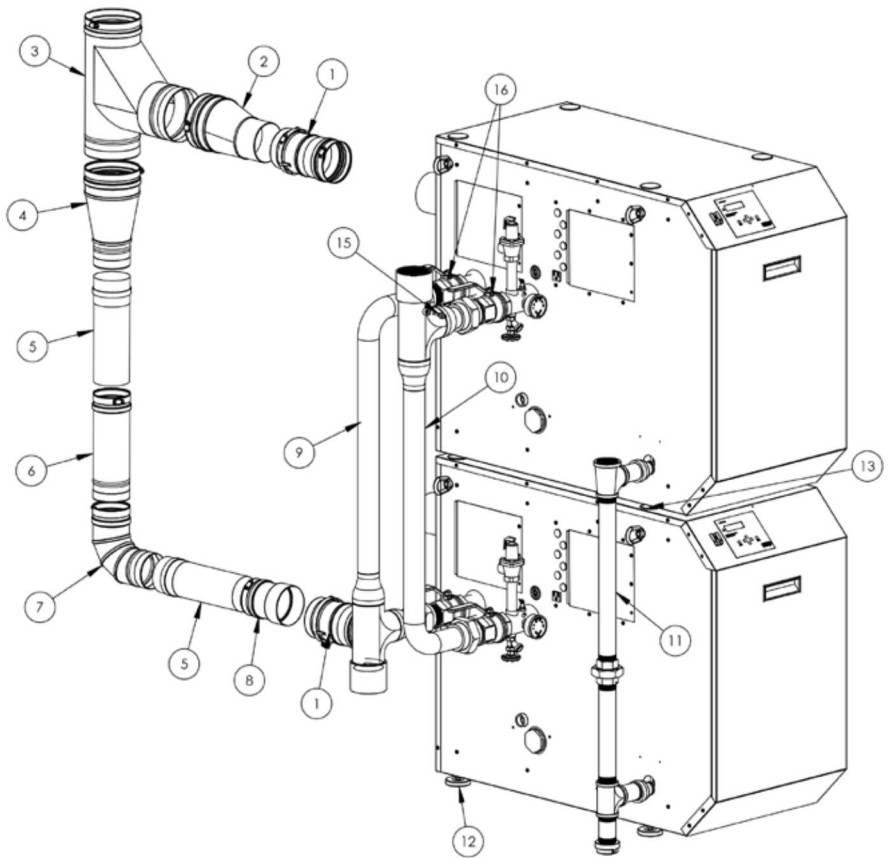


1000 Model

ITEM #	DESCRIPTION	REPLACEMENT PART #
1	ADAPTER, OFFSET, 2 DEGREE S.S.	7350P-328
2	ECCENTRIC, FEMALE, 2 DEGREE, S.S.	7350P-336
3	TEE, BOOT, EXHAUST, S.S.	7350P-335
4	TAPERED INCREASER, S.S.	7350P-334
5	CUSTOM PIECE, 12' LONG, S.S.	7350P-330
6	VENT LENGTH, S.S.	7350P-332
7	ELBOW, 88 DEGREE, S.S.	7350P-331
8	ADAPTER, FNS, S.S.	7350P-329
9	RETURN MANIFOLD	7350P-376
10	SUPPLY MANIFOLD (w/ SENSOR, HARNESS)	7350P-377
11	ASSY GAS PIPING	7350P-744
12	LEVELING FOOT/MOUNT SUPPORT	7350P-317
13	STACKING ASSEMBLY	7350P-616
14	CAT 5 CABLE (NOT SHOWN)	7350P-745
15	SYSTEM SENSOR	7250P-667
16	SHUT-OFF BALL VALVE	7350P-281
17	SYSTEM SENSOR WIRE HARNESS (NOT SHOWN)	7350P-746

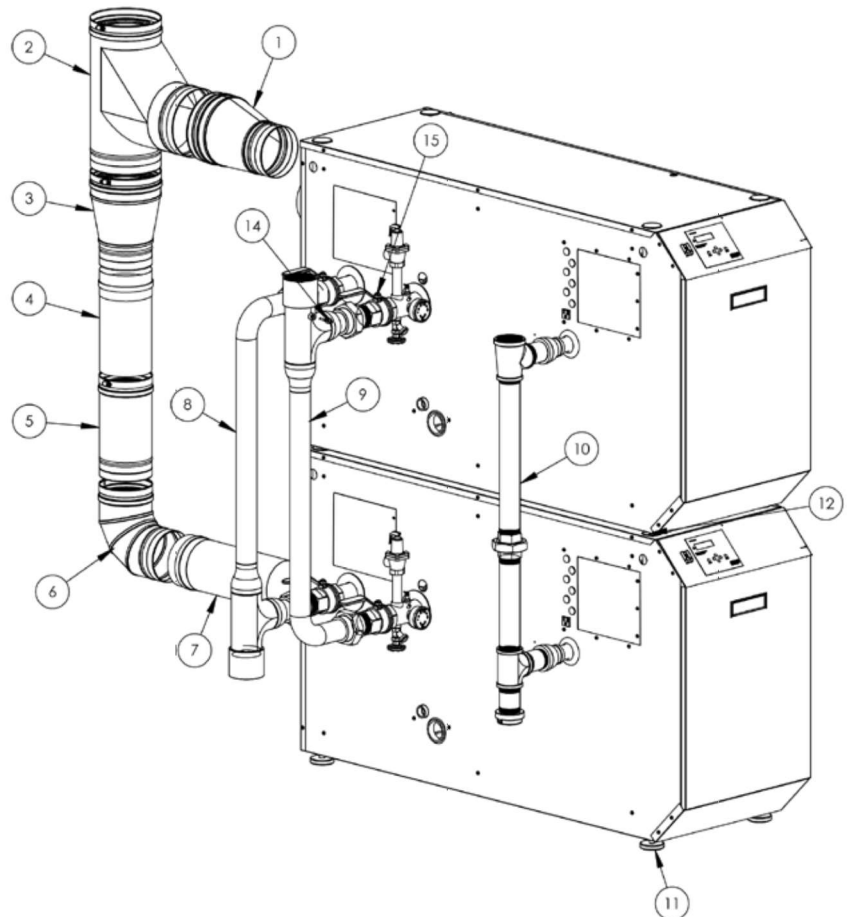


LP-428-A
02/23/17

Figure 28 - 1000 Model External Replacement Parts

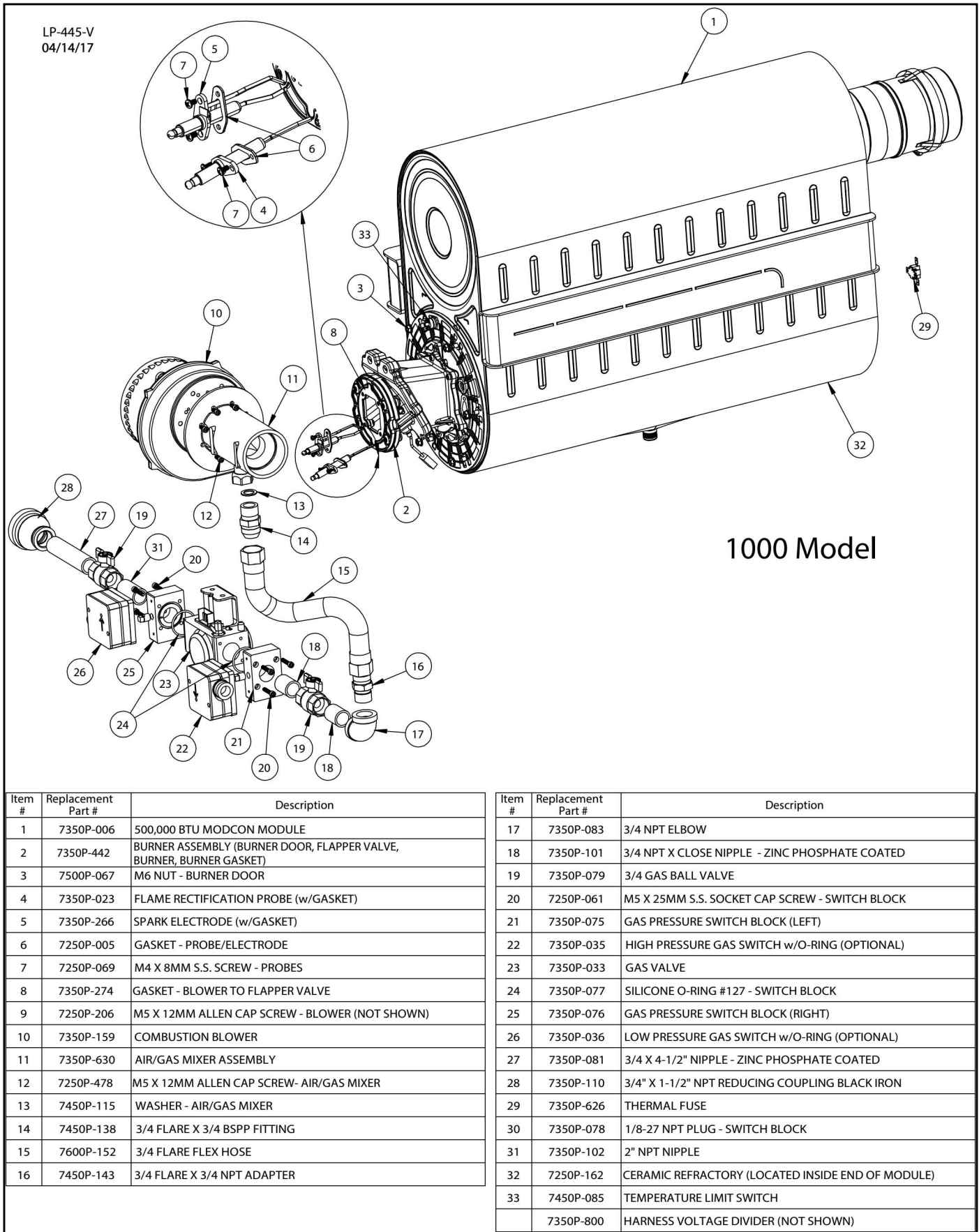
1700 Model

ITEM#	DESCRIPTION	REPLACEMENT PART #
1	INCREASER, ECCENTRIC S.S.	7350P-344
2	BOOT TEE, S.S.	7350P-343
3	TAPERED INCREASER, S.S.	7350P-342
4	CUSTOM LENGTH, 12", S.S.	7350P-341
5	VENT LENGTH, 12" S.S.	7350P-340
6	ELBOW, 90 DEGREE, S.S.	7350P-339
7	CUSTOM LENGTH, 15", S.S.	7350P-338
8	RETURN MANIFOLD	7350P-376
9	SUPPLY MANIFOLD (w/SENSOR, HARNESS)	7350P-377
10	ASSY GAS PIPING	7350P-743
11	LEVELING FOOT/MOUNT SUPPORT	7350P-317
12	STACKING ASSEMBLY	7350P-616
13	CAT 5 CABLE (NOT SHOWN)	7350P-745
14	SYSTEM SENSOR	7250P-667
15	SHUT-OFF BALL VALVE	7350P-281
16	SYSTEM SENSOR HARNESS (NOT SHOWN)	7350P-747



LP-428-B
02/22/17

Figure 29 - 1700 Model External Replacement Parts



Item #	Replacement Part #	Description
1	7350P-006	500,000 BTU MODCON MODULE
2	7350P-442	BURNER ASSEMBLY (BURNER DOOR, FLAPPER VALVE, BURNER, BURNER GASKET)
3	7500P-067	M6 NUT - BURNER DOOR
4	7350P-023	FLAME RECTIFICATION PROBE (w/GASKET)
5	7350P-266	SPARK ELECTRODE (w/GASKET)
6	7250P-005	GASKET - PROBE/ELECTRODE
7	7250P-069	M4 X 8MM S.S. SCREW - PROBES
8	7350P-274	GASKET - BLOWER TO FLAPPER VALVE
9	7250P-206	M5 X 12MM ALLEN CAP SCREW - BLOWER (NOT SHOWN)
10	7350P-159	COMBUSTION BLOWER
11	7350P-630	AIR/GAS MIXER ASSEMBLY
12	7250P-478	M5 X 12MM ALLEN CAP SCREW- AIR/GAS MIXER
13	7450P-115	WASHER - AIR/GAS MIXER
14	7450P-138	3/4 FLARE X 3/4 BSPP FITTING
15	7600P-152	3/4 FLARE FLEX HOSE
16	7450P-143	3/4 FLARE X 3/4 NPT ADAPTER

Item #	Replacement Part #	Description
17	7350P-083	3/4 NPT ELBOW
18	7350P-101	3/4 NPT X CLOSE NIPPLE - ZINC PHOSPHATE COATED
19	7350P-079	3/4 GAS BALL VALVE
20	7250P-061	M5 X 25MM S.S. SOCKET CAP SCREW - SWITCH BLOCK
21	7350P-075	GAS PRESSURE SWITCH BLOCK (LEFT)
22	7350P-035	HIGH PRESSURE GAS SWITCH w/O-RING (OPTIONAL)
23	7350P-033	GAS VALVE
24	7350P-077	SILICONE O-RING #127 - SWITCH BLOCK
25	7350P-076	GAS PRESSURE SWITCH BLOCK (RIGHT)
26	7350P-036	LOW PRESSURE GAS SWITCH w/O-RING (OPTIONAL)
27	7350P-081	3/4 X 4-1/2" NIPPLE - ZINC PHOSPHATE COATED
28	7350P-110	3/4" X 1-1/2" NPT REDUCING COUPLING BLACK IRON
29	7350P-626	THERMAL FUSE
30	7350P-078	1/8-27 NPT PLUG - SWITCH BLOCK
31	7350P-102	2" NPT NIPPLE
32	7250P-162	CERAMIC REFRACTORY (LOCATED INSIDE END OF MODULE)
33	7450P-085	TEMPERATURE LIMIT SWITCH
	7350P-800	HARNES VOLTAGE DIVIDER (NOT SHOWN)

Figure 30 - 1000 Model Combustion System Replacement Parts

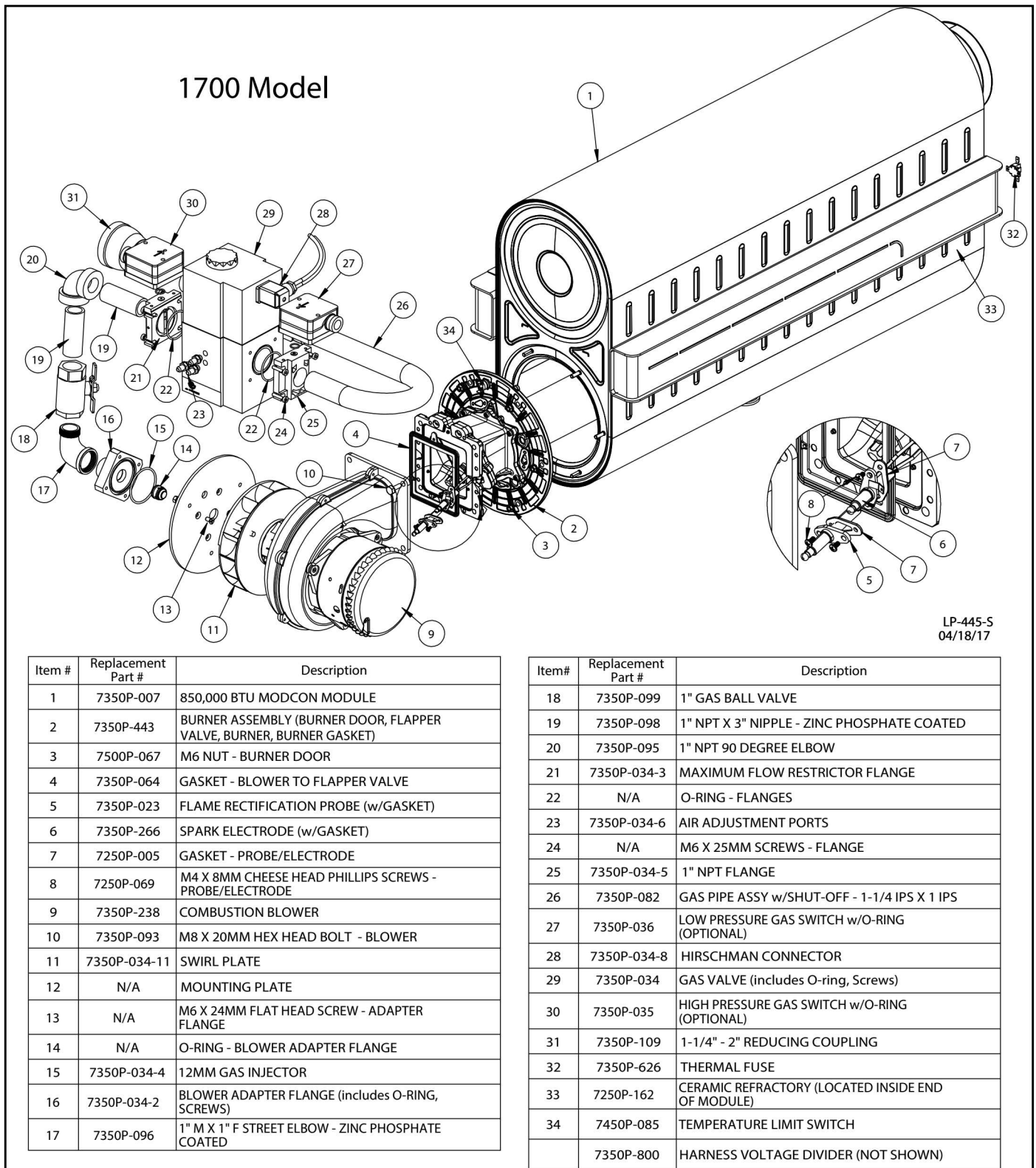
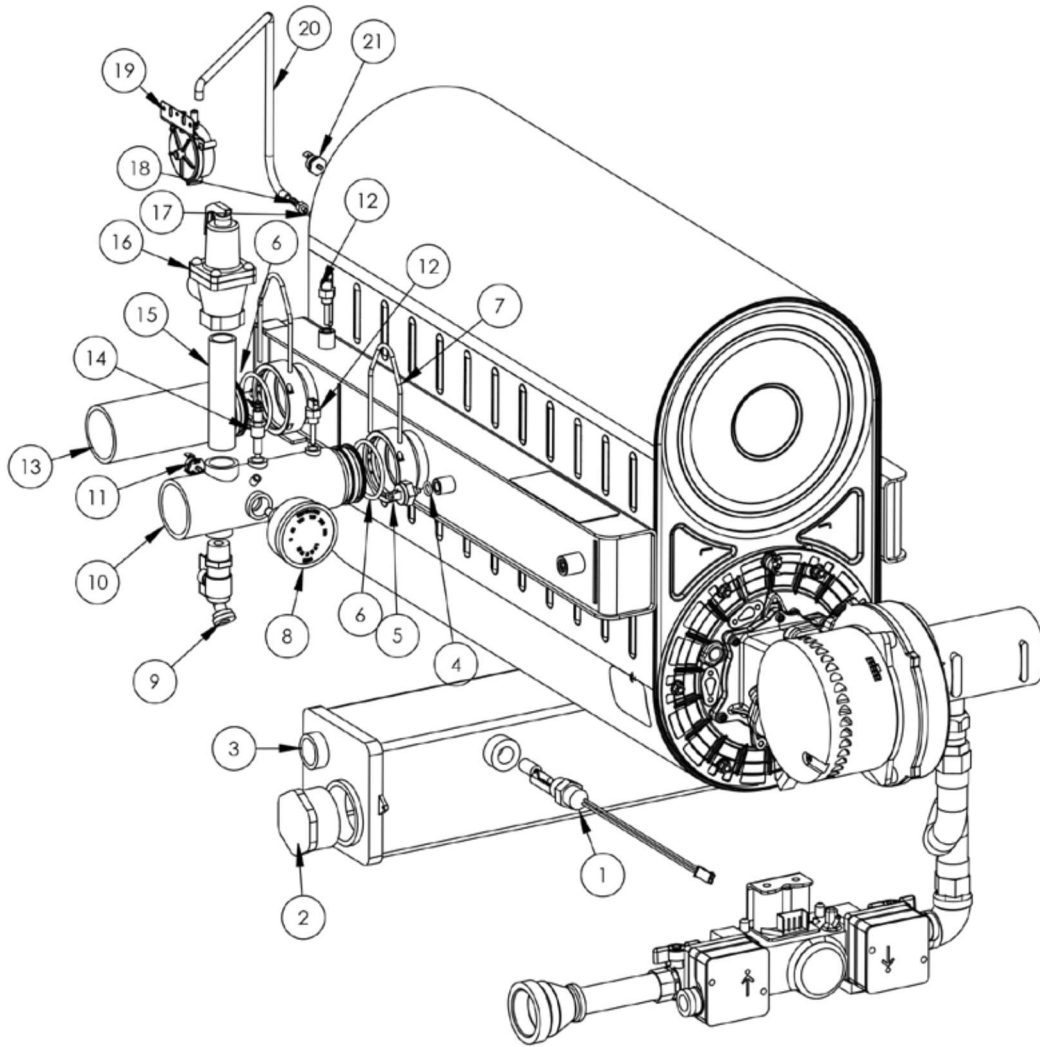


Figure 31 - 1700 Model Combustion System Replacement Parts



Item#	ModCon1000	ModCon1700	Description
1	7350P-167	7350P-167	CONDENSATE OVERFLOW SWITCH
2	7350P-113	7350P-113	2" PVC PLUG
3	7350P-613	7350P-613	CONDENSATE COLLECTOR
4	7500P-100	7500P-100	O-RING - ECO HIGH LIMIT SENSOR
5	7500P-033	7500P-033	ECO HIGH LIMIT SENSOR (w/O-RING)
6	7350P-072	7350P-072	O-RING - INLET/OUTLET NIPPLE
7	7350P-015	7350P-015	INLET/OUTLET NIPPLE CLIP
8	7250P-499	7250P-499	TEMP/PRESSURE GAUGE 200 PSI
9	7350P-327	7350P-327	SHUT-OFF DRAIN
10	7350P-318	7350P-318	OUTLET NIPPLE (w/O-RING)
11	7500P-002	7500P-002	ECO SWITCH - 190 DEG.
12	7250P-667	7250P-667	THERMISTOR
13	7350P-004	7350P-004	INLET NIPPLE
14	7350P-089	7350P-089	LOW WATER CUT-OFF PROBE
15	SN1018	SN1018	3/4" NPT X 3" NIPPLE - BRASS
16	7350P-223	7350P-223	75# RELIEF VALVE - 3/4" NPT
17	7250P-152	7250P-152	SILICONE O-RING 2-007 - BARBED FITTING
18	7250P-154	7250P-154	S.S. BARBED FITTING - 1/4 HOSE X 10-32
19	7250P-150	7250P-150	BLOCKED VENT PRESSURE SWITCH
20	7000P-805	7000P-805	PLASTIC TUBING 3/16 ID X 5/16 OD X 12"
21	7250P-739	7250P-739	FLUE ECO SWITCH - 160 DEG.
22	7350P-219	7350P-220	VENT ADAPTER

LP-428-V
02/03/15

Figure 32 - Water Side Replacement Parts - All Models

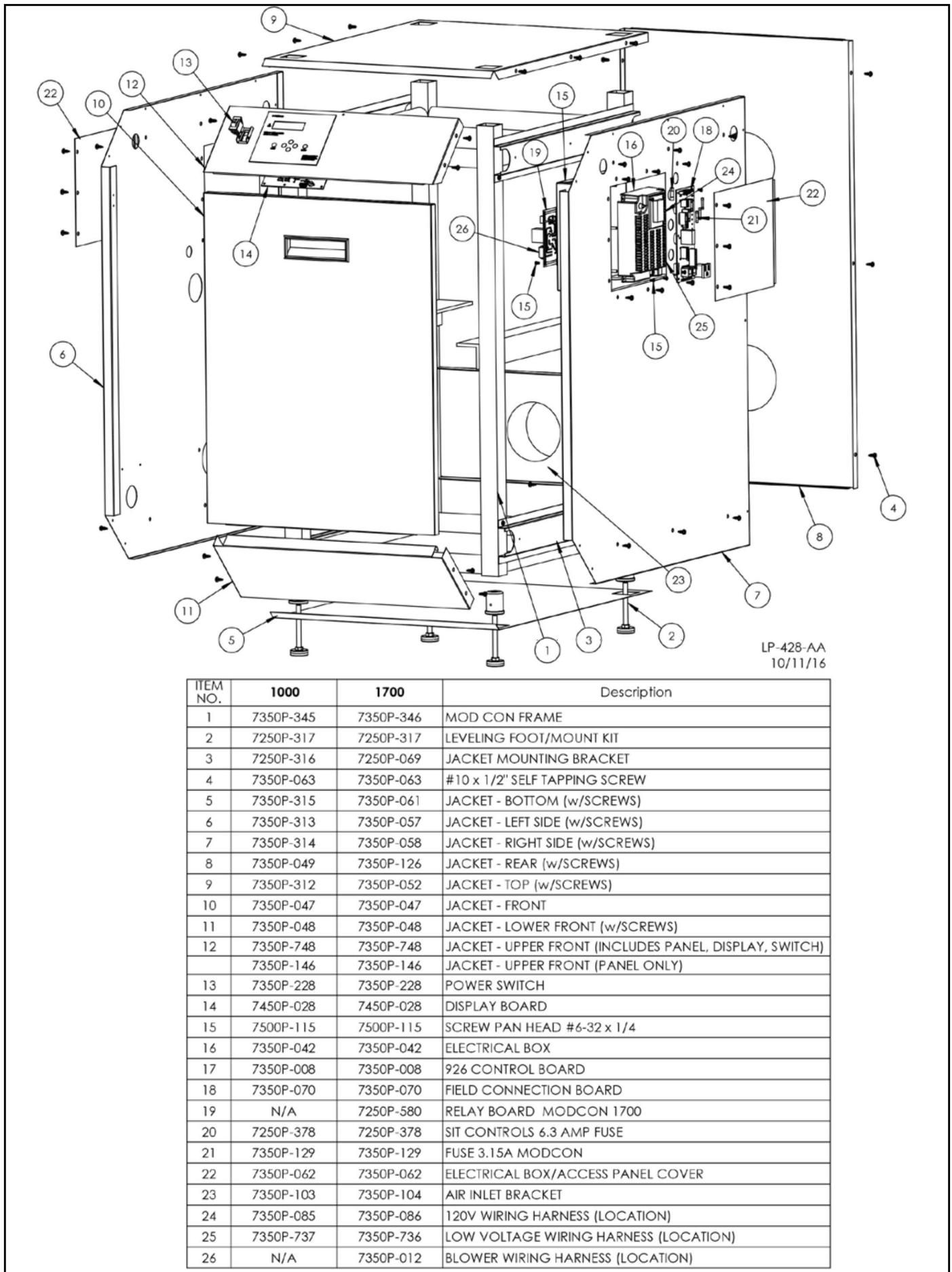


Figure 33 - Cabinet Replacement Parts - All Models