



325 COMMERCE DRIVE
 MT VERNON, OH 43050
 800-253-8236

SPECIFICATION DATA SHEET

DATE: 4-9-13
 PREPARED BY: RL

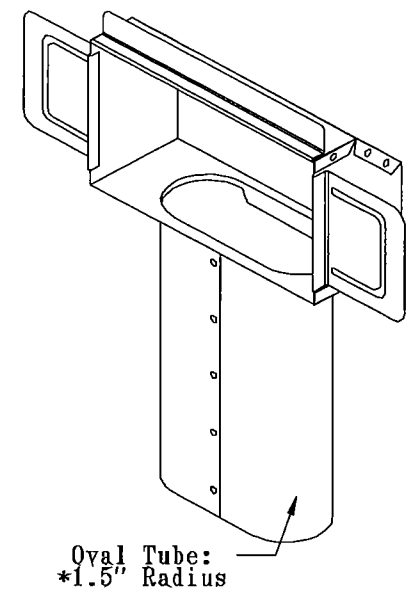
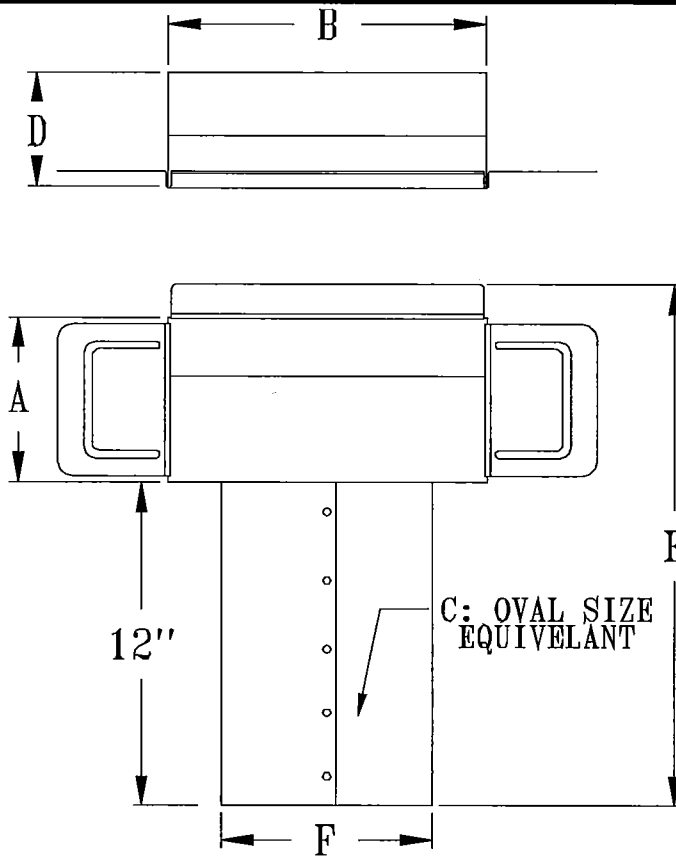
MODEL NO. 987

OVAL STACKHEAD WEARS & 12" THROAT

ANGLEHEAD MODEL

DIMENSIONS

SIZE						
A	x	B	x	C	D	E
6"	x	10"	x	7"	3 7/8"	17 5/16"
6"	x	12"	x	7"	3 7/8"	17 5/16"
6"	x	12"	x	8"	3 7/8"	17 5/16"



NOTE: EARS ARE SHOWN IN INSTALLATION POSITION.

MATERIAL SPECIFICATIONS

HOT DIPPED GALVANIZED STEEL.
 PER ASTM A 653 CSB.

ASSEMBLED WITH 1/8" ZINC COATED RIVETS.

STD GAUGE CONSTRUCTION
 BOOT CLIPS ARE STD GAUGE
 EARS ARE STD GAUGE

OPTIONS

AVAILABLE WITH BOOT CLIPS ON BOTH SIDES OF HEAD

JOB: _____
 LOCATION: _____
 CONTRACTOR: _____
 ENGINEER: _____
 NOTES: _____



325 COMMERCE DRIVE
 MT VERNON, OH 43050
 800-253-8236

SPECIFICATION DATA SHEET

DATE: 4-9-13
 PREPARED BY: RL

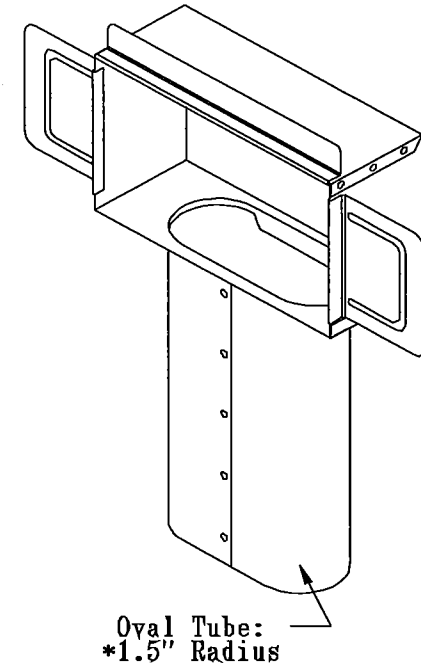
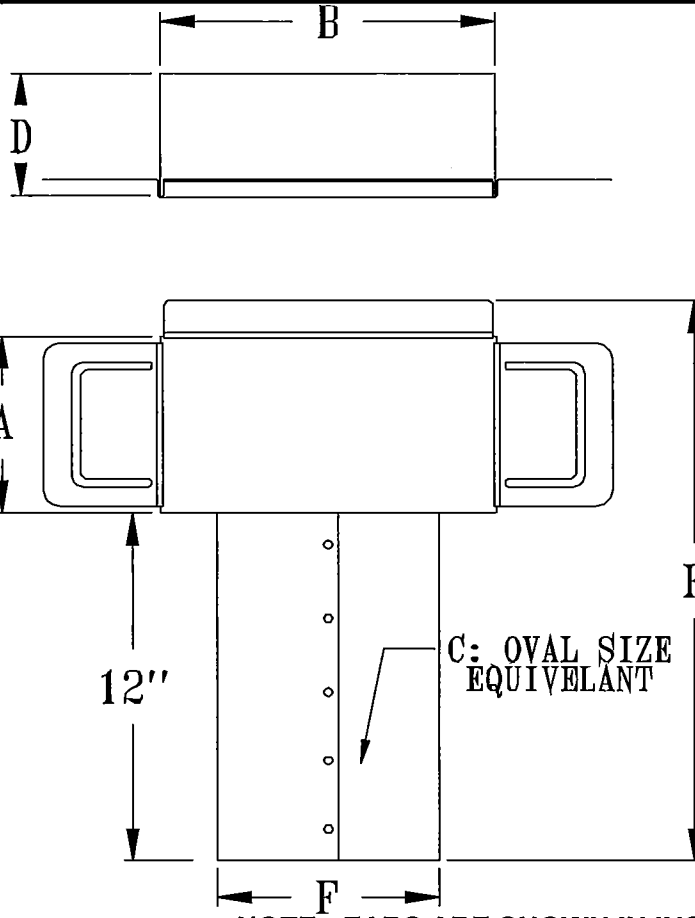
MODEL NO. 987

OVAL STACKHEAD WEARS & 12" THROAT

SQUAREBACK MODEL

DIMENSIONS

SIZE						
A	x	B	x	C	D	E
4"	x	10"	x	6"	3 7/8"	17 5/16"
4"	x	12"	x	6"	3 7/8"	17 5/16"
4"	x	12"	x	7"	3 7/8"	17 5/16"



NOTE: EARS ARE SHOWN IN INSTALLATION POSITION.

MATERIAL SPECIFICATIONS

HOT DIPPED GALVANIZED STEEL.
 PER ASTM A 653 CSB.
 ASSEMBLED WITH 1/8" ZINC COATED RIVETS.
 STD GAUGE CONSTRUCTION
 BOOT CLIPS ARE STD GAUGE
 EARS ARE STD GAUGE

OPTIONS

AVAILABLE WITH BOOT CLIPS ON BOTH SIDES OF HEAD

JOB: _____
 LOCATION: _____
 CONTRACTOR: _____
 ENGINEER: _____
 NOTES: _____