



325 COMMERCE DRIVE
 MT VERNON, OH 43050
 800-253-8236

SPECIFICATION DATA SHEET

DATE: 4-12-13 PAGE: 1
 PREPARED BY: RL

MODEL NO. 473

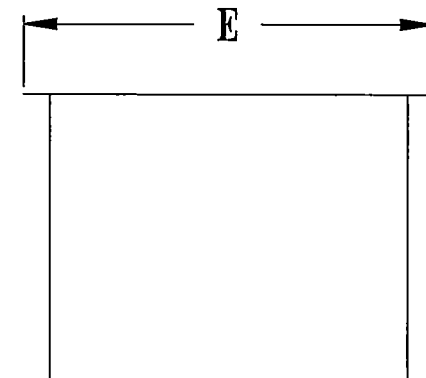
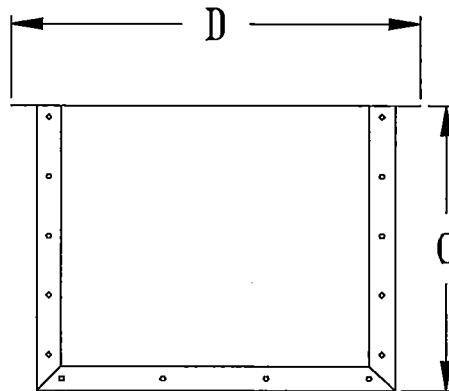
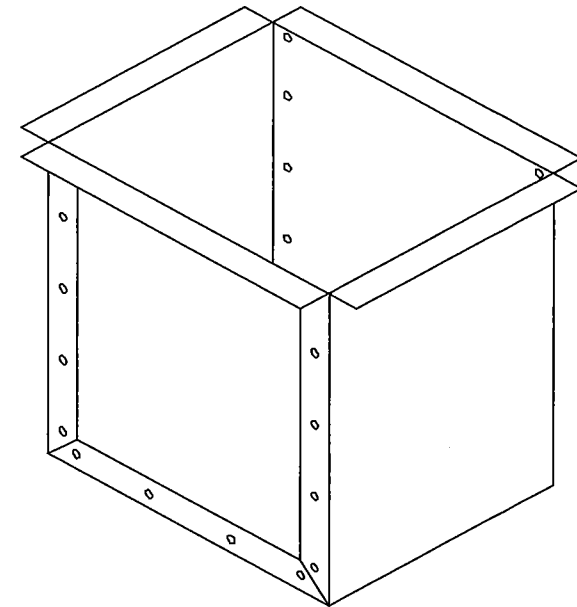
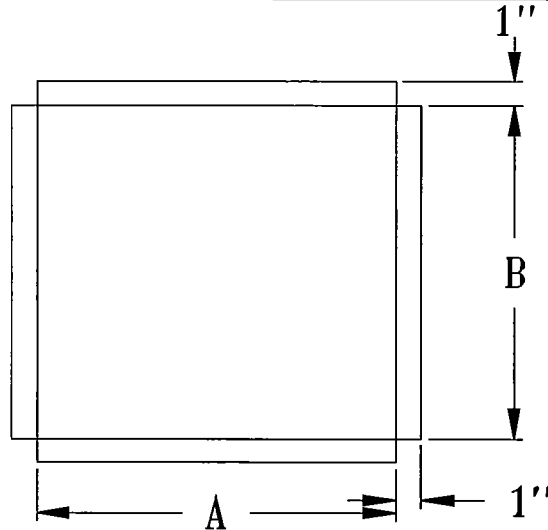
BLIND BOX

STANDARD MODEL

DIMENSIONS

SIZE

A	B	C	D	E	
4"	x	8"	12"	6"	10"
4"	x	10"	12"	6"	12"
4"	x	10"	10"	6"	12"
4"	x	12"	10"	6"	14"
4"	x	12"	12"	6"	14"
4"	x	14"	12"	6"	16"
6"	x	6"	10"	8"	8"
6"	x	6"	12"	8"	8"
6"	x	8"	12"	8"	10"
6"	x	10"	10"	8"	12"
6"	x	10"	12"	8"	12"
6"	x	10"	9"	8"	12"
6"	x	10"	14"	8"	12"
6"	x	12"	10"	8"	14"
6"	x	12"	12"	8"	14"
6"	x	12"	9"	8"	14"
6"	x	14"	12"	8"	16"
6"	x	14"	12"	8"	16"
8"	x	8"	9"	10"	10"
8"	x	8"	10"	10"	10"
8"	x	8"	12"	10"	10"
8"	x	8"	9"	10"	10"
8"	x	10"	10"	10"	12"
8"	x	10"	12"	10"	12"



MATERIAL SPECIFICATIONS

HOT DIPPED GALVANIZED STEEL,
 PER ASTM A 653 CSB.

STD GAUGE CONSTRUCTION
 HEAVIER GAUGES AVAILABLE

OPTIONS

AVAILABLE WITHOUT FLANGE

JOB: _____
 LOCATION: _____
 CONTRACTOR: _____
 ENGINEER: _____
 NOTES: _____



325 COMMERCE DRIVE
 MT VERNON, OH 43050
 800-253-8236

SPECIFICATION DATA SHEET

DATE: 4-12-13 PAGE: 2
 PREPARED BY: RL

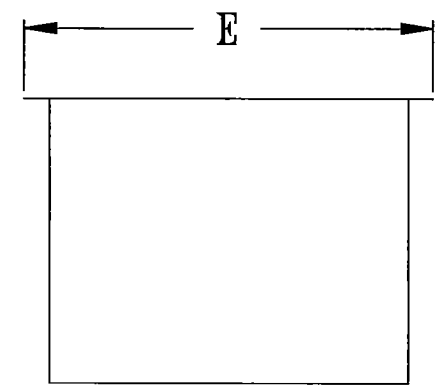
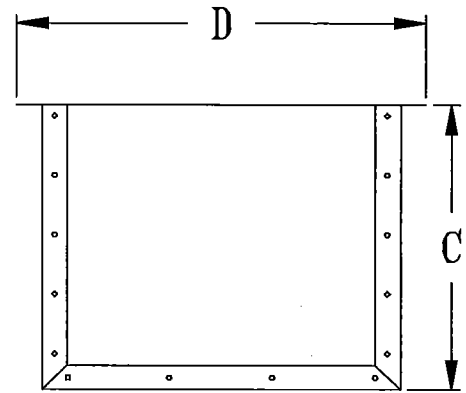
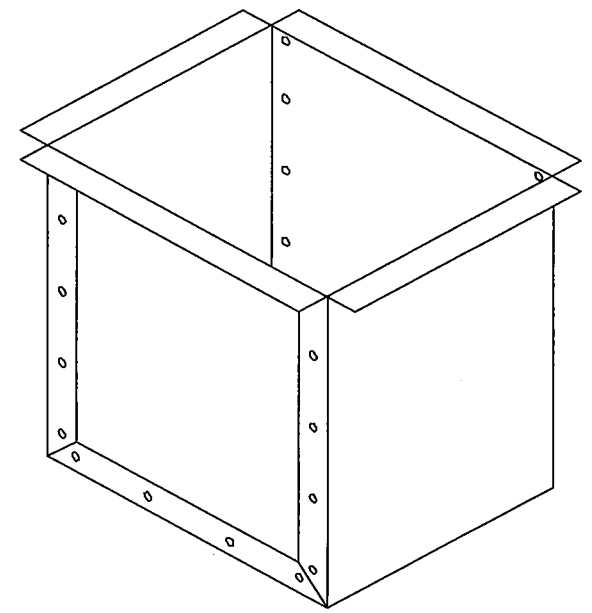
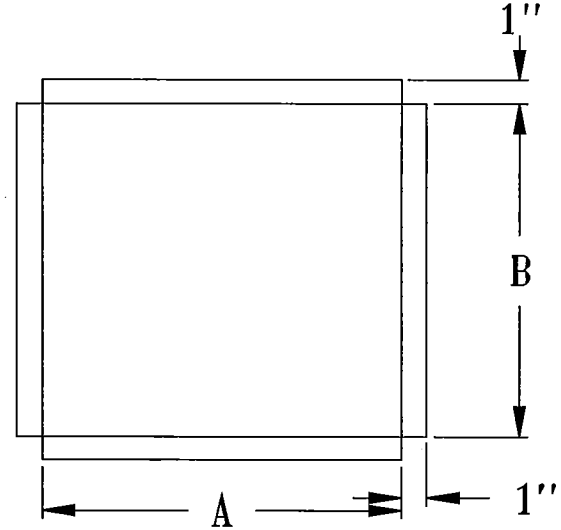
MODEL NO. 473

BLIND BOX

STANDARD MODEL

DIMENSIONS

SIZE		A	B	C	D	E
8"	x	12"	10"	10"	14"	
8"	x	12"	12"	10"	14"	
8"	x	14"	12"	10"	16"	
9"	x	12"	10"	11"	14"	
9"	x	12"	12"	11"	14"	
10"	x	10"	10"	12"	12"	
10"	x	10"	9"	12"	12"	
10"	x	10"	12"	12"	12"	
10"	x	12"	10"	12"	14"	
10"	x	12"	12"	12"	14"	
10"	x	14"	12"	12"	16"	
12"	x	12"	10"	14"	14"	
12"	x	12"	12"	14"	14"	
12"	x	14"	10"	14"	16"	
12"	x	14"	12"	14"	16"	
12 1/4"	x	12 1/4"	12"	14 1/4"	14 1/4"	
14"	x	14"	10"	16"	16"	
14"	x	14"	12"	16"	16"	
14"	x	20"	12"	16"	22"	
14"	x	30"	9"	16"	32"	
14 1/4"	x	14 1/4"	12"	16 1/4"	16 1/4"	
18"	x	18"	12"	20"	20"	
30 1/4"	x	30 1/4"	9"	32 1/4"	32 1/4"	



MATERIAL SPECIFICATIONS

HOT DIPPED GALVANIZED STEEL.
 PER ASTM A 653 CSB.

 STD GAUGE CONSTRUCTION
 HEAVIER GAUGES AVAILABLE

OPTIONS

AVAILABLE WITHOUT FLANGE

JOB: _____
 LOCATION: _____
 CONTRACTOR: _____
 ENGINEER: _____
 NOTES: _____