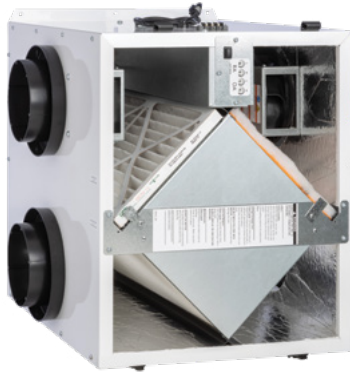




**ENERGY RECOVERY VENTILATOR**  
EC MOTOR



**INDOOR UNIT**



**AWARD WINNING**  
**EV PREMIUM LH**

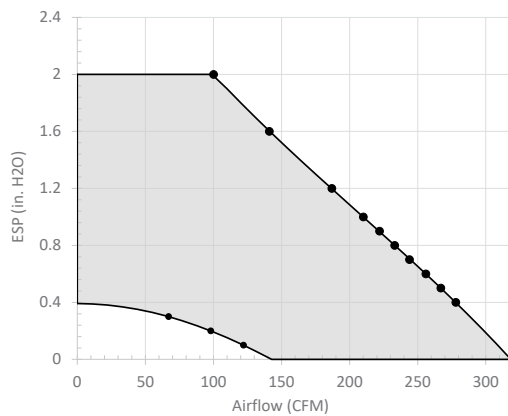
TecHome Builder's 2023 Brilliance Award

**Note:** There are multiple control options designed to address individual climate conditions. Please consult your local installer for the best installation controls for your climate.

**SPECIFICATIONS**

<p><b>Ventilation Type:</b> Static plate, heat and humidity transfer</p> <p><b>Typical Airflow Range:</b> 30–280 CFM</p> <p><b>Unit is HVI Tested/Certified per CSA C439</b> <b>Protocol:</b> Using one L-100-G5 Core</p> <p><b>Standard Features:</b> White painted cabinet Line-cord power supply or hard wired to junction box (H) Low-voltage circuit for controls Unit may be mounted in any orientation Cross-core differential pressure ports Dial-A-Flow: balance and airflow adjustment Variable speed Boost-mode</p> <p><b>Controls:</b> Onboard digital controller with independent variable speeds</p> <p><b>Filters:</b> Total qty. 2, MERV 8, spun-polyester media: 10 1/2" x 21 3/4" x 1"</p> <p><b>Unit Weight:</b> 52 lbs.</p> <p><b>Max. Shipping Dimensions &amp; Weight (in carton):</b> 33" L x 22" W x 29" H 66 lbs.</p> <p><b>Units Per Pallet:</b> 4</p>	<p><b>Motor(s):</b> Qty. 2, 120V EC motorized impellers</p> <p><b>Accessories:</b> Backdraft damper: 6", 8" Automatic balancing damper: 4", 5", 6" Motorized Dampers: 6", 8" Concentric Vent: 6" (CV6-110) Louvered wall vent 6": white, brown Louvered wall vent 8": taupe vinyl, galvanized, paintable galvalneal Louvered wall vent with 8" round duct connection: 12" W x 8" H Hooded wall vent 8": galvanized, paintable galvalneal Digital time clock: wall mount (TC7D-W), in exterior enclosure (TC7D-E) Carbon dioxide sensor/control: wall mount (CO2-W), duct mount (CO2-D) IAQ sensor: wall mount (IAQ-W), duct mount (IAQ-D) Motion occupancy sensor/control: ceiling mount (MC-C), wall mount (MC-W) Push-button boost timer (PBT) Percentage timer control (PTL) Percentage timer control with furnace interlock (FM) Push-button point-of-use controls (PBL), PTL req'd. BACnet fan control: wall mount (BACNETFC-W) MERV 13 filter: OA airstream (shipped loose) Electric duct heater: RH series (1–8 kW); designed for indoor ductwork installation only</p>
--	--

**EC MOTOR OPERATING RANGE AND CORE PERFORMANCE**



● = Actual tested sample points

| = Operating curves, airflow is held constant as static pressure varies

**Factory settings**

1. High speed set to top curve
2. Low speed set to ~90CFM at 0.4 in. w.g. ESP

Airflow (CFM)	External Static Pressure (Inches Water Column)	Unit Power Consumption (Watts)	Sensible EFF%	Total EFF% Winter/Summer
<b>Max. Speed</b>				
278	0.40	183	71	64/49
267	0.50	185	72	65/50
256	0.60	184	73	66/51
244	0.70	184	73	67/52
233	0.80	184	74	68/53
222	0.90	184	75	69/54
210	1.00	184	76	70/56
187	1.20	185	77	72/58
141	1.60	183	80	75/62
100	2.00	185	82	78/66
<b>Min. Speed</b>				
122	0.10	80	81	77/64
98	0.20	79	83	78/66
67	0.30	70	85	81/69

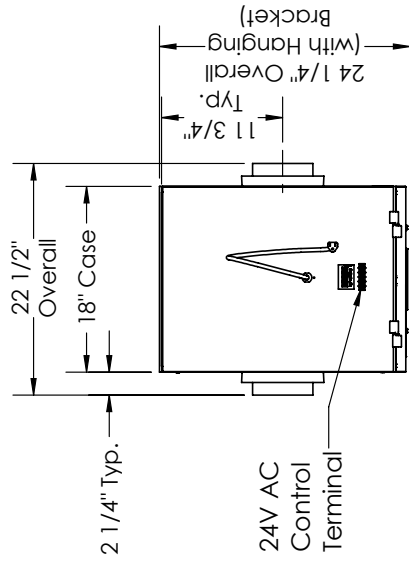
**Notes:**

1. Watts is for the entire unit.
2. Airflow performance includes effect of clean, standard filter supplied with unit.
3. Refer to CORES for specific operating point electrical data.
4. These are core-only ratings and are not HVI certified. Total EFF% calculated at 35/33wb OA and 70/58wb RA (winter) and 95/78wb OA and 75/63wb RA (summer). HVI ratings apply to complete units only. This unit is HVI certified. See HVI certified ratings on pg. 47 of Single/Multi-Family Catalog and at hvi.org.

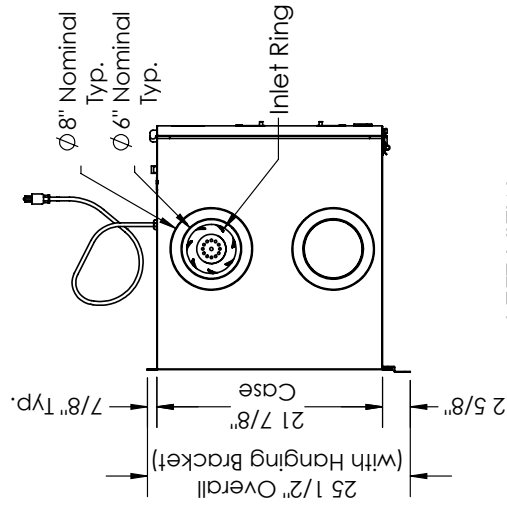
**ELECTRICAL DATA**

Watts	Volts	Hz	Phase	FLA per motor	Minimum Circuit Amps	Max Overcurrent Protection Device
85	120	60	1	1.22	15	15

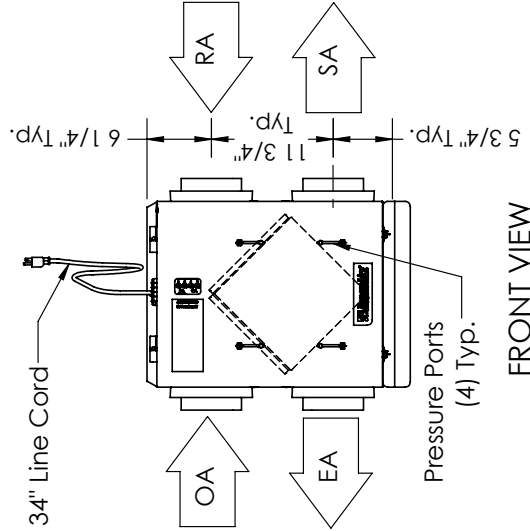
**EV PREMIUM L** ENERGY RECOVERY VENTILATOR EC MOTOR



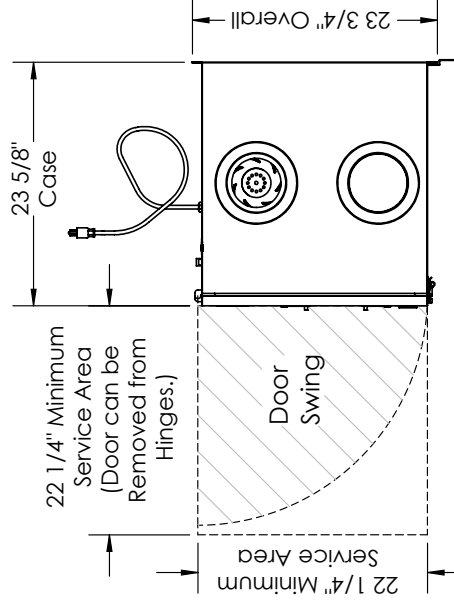
TOP VIEW



LEFT VIEW



FRONT VIEW



RIGHT VIEW

**ABBREVIATIONS**  
 EA: Exhaust Air to outside  
 OA: Outside Air Intake  
 RA: Room Air to be exhausted  
 SA: Supply Air to inside

**INSTALLATION ORIENTATION**  
 Unit may be installed in any orientation.

**NOTE**  
 1. UNLESS OTHERWISE SPECIFIED, DIMENSIONS ARE ROUNDED TO THE NEAREST EIGHTH OF AN INCH.  
 2. SPECIFICATIONS MAY BE SUBJECT TO CHANGE WITHOUT NOTICE.

**AIRFLOW ORIENTATION**  
 Available as shown in dimension drawing.



**UNIT MOUNTING & APPLICATION**  
 Can be mounted in any orientation. RA/EA airstream can be switched with OA/SA airstream.