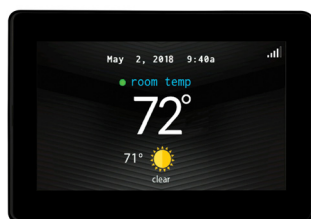


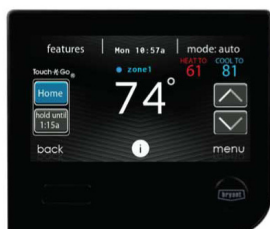
**SYSTXBBECC01-C, SYSTXBBWEC01-B,  
SYSTXBBECF01-B, SYSTXBBWEF01-B  
Evolution® Connex™ Control**



## Product Data



A210173



A180277



A180218B

**NOTE:** Evolution® Connex™ Control compatible with Evolution® rated indoor equipment only.

US Patents: Carrier® U.S. Pat No. 7,243,004, Carrier® U.S. Pat No. 7,775,452, pointSET™ U.S. Pat No. 7,415,102

### Evolution Connex Control

Bryant® specializes in creating a customized home comfort system tailored to your needs with our broad selection of residential heating and cooling products. The Evolution® Connex™ Control is the ultimate control center for all of your system components. When you add an Evolution® Connex™ Control to a compatible variable speed furnace, fan coil, Evolution® System split product, you will enjoy longer heating and cooling cycles at lower fan speeds for a more consistent temperature throughout your home. By adding a variable speed, multi-stage, or 2-stage outdoor unit, you will enjoy extra benefits which include better humidity and temperature control as well as a more energy efficient comfort system. When paired with Evolution® Zoning controls, the Evolution® Connex™ Control allows you to create up to 8 zones of customized comfort.

The Evolution® Zoning system does not require a bypass damper, leaving air temperature (LAT) sensor, or field-installed power transformer.

Always install the latest version of software to enable all features of the system.

Over-the-Air software updates for Wi-Fi models connected to the Evolution server are automatically downloaded. Software updates via MicroSD (Series B only) are available on HVACpartners, or at [www.MyEvolutionConnex.com](http://www.MyEvolutionConnex.com).

### Industry Leading Features/Benefits

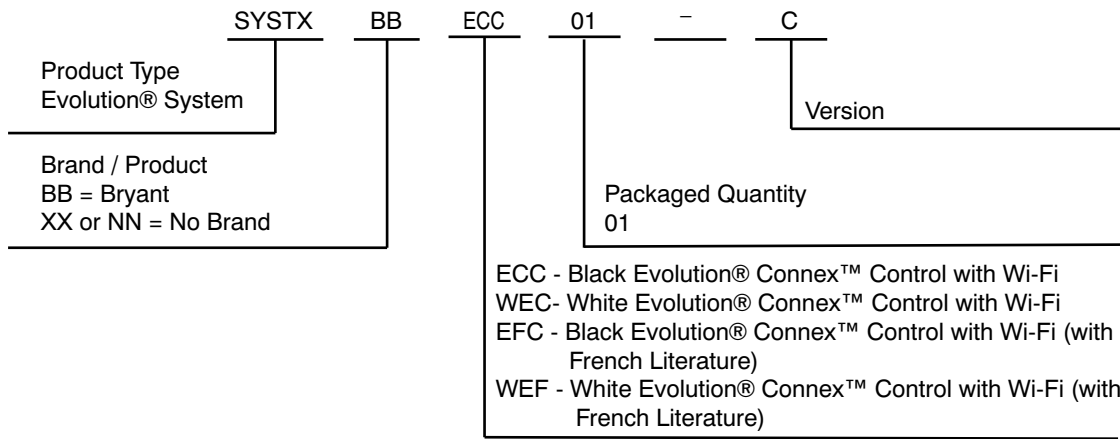
Bryant's revolutionary Evolution® Connex™ Control is the smart control of the future. Its unique system self-configuration and

diagnostics capabilities make installation and service fast and accurate, helping to avoid costly call-backs. The Evolution® Connex™ Control features a high resolution display, making it easier to read. Intuitive prompts let you program everything from humidity levels to fan speeds, giving you the ultimate control over your home comfort. Other features include:

- 4-wire installation from each major component in the system
- 2-wire connection to Evolution® System two or more stage outdoor equipment (including geothermal split units)
- Evolution® Zoning System compatibility
- Occupancy sensing to provide comfort when spaces are occupied and energy savings when they're not
- Intuitive on screen prompts for ease of installation and service
- Perfect Humidity™ settings are the default; no longer requiring increased system setup
- Complete integration of the temperature, humidity and ventilation in every season
- For Zoned Systems, auto mode selection to satisfy simultaneous heating and cooling demands in different zones via more aggressive Auto Changeover algorithm--installer must enable
- 7-day programmability with Lifestyle Comfort Profiles and Touch-N-Go® features; complies with California Title 24 programmability requirements
- Easy timed-override schedule
- Simplified vacation schedules
- Day-at-a-glance programming for simplified ease of use
- Programmable fan by period
- TrueSense™ Dirty Filter Detection
- Indoor Air Quality pop up service reminders
- General maintenance reminder messaging
- Wi-Fi® remote access capability
- For Series B upload photo, dealer info, and software updates locally via MicroSD card. Software updates available automatically when connected to the Evolution® web server
- Series B controls are compatible with home automation through the SYSTXNNRCT01 system access modules, or Amazon™ Alexa™ interface.
- Compatible with Evolution® System geothermal products (GC and GZ models). Energy Tracking feature for geothermal systems is available with Entering Water Temperature sensor installed in heat pump.

Wi-Fi® is a registered trademark of Wi-Fi Alliance Corporation.  
Amazon Alexa is a trademark of Amazon, Inc. or its affiliates.

### Model Number Nomenclature



## EVOLUTION™ SYSTEM

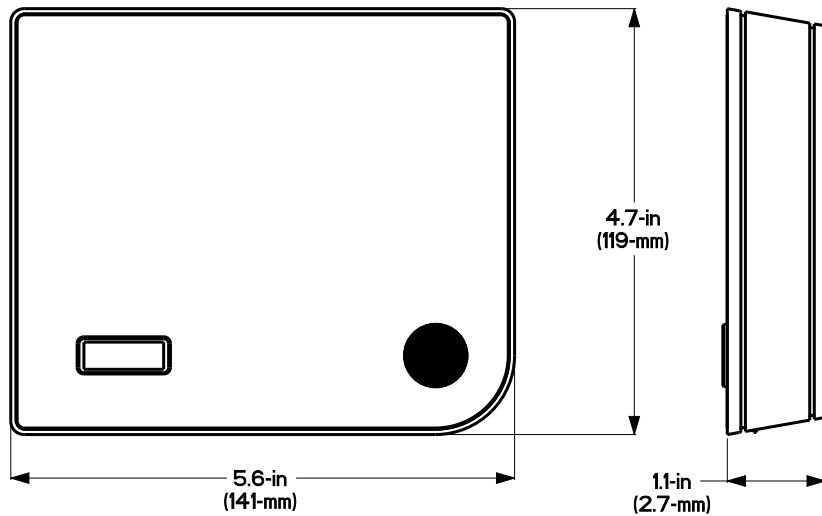


Fig. 1 – Unit Dimensions

A170101

## Product Data Information

### Compatible Communicating Products

Compatible with most Evolution® System indoor and outdoor equipment built since 2004; see equipment specifications for details.

### Home Automation System Interface

A cloud-to-cloud Open API (Application Program Interface) is available for the Evolution® Connex™ Controls. See the Evolution® Open API Getting Started Guide available on [www.HVACpartners.com](http://www.HVACpartners.com) or contact [EvolutionOpenAPI@bryant.com](mailto:EvolutionOpenAPI@bryant.com) for more information.

The Evolution® Connex™ control may also connect to a variety of Home Automation systems. Note that not all Home Automation systems may be compatible. Reference the latest version of the Application Specification titled “SAM Remote Access Application Specification,” available on [HVACpartners.com](http://HVACpartners.com) to learn more. Work with the home automation supplier to see if the systems are compatible. If not, you may provide the “Evolution® System Open API Getting Started Guide” or the “SAM Remote Access Application Specification” to the home automation supplier to develop an interface with the Evolution® Connex™ System. Always be sure to obtain the latest version of the application specification from HVACpartners, as we continually update and add home automation interfaces.

**NOTE:** The ability to remotely access and adjust the settings of the Evolution® Connex™ Control with the MyEvolution web and mobile applications or other system interfaces is dependent on the compatibility of the user’s computer, home network and/or mobile device, the Evolution® Connex™ Control, and/or the MyEvolution web server or other system interfaces with, and the availability of, the user’s internet service provider or mobile device carrier service. Bryant Heating and Cooling Systems makes no representations or warranties, express or implied, including, to the extent permitted by applicable law, any implied warranty of merchantability or fitness for a particular purpose or use, about the compatibility of the user’s computer, home network, and/or mobile device, with the Evolution® Connex™ Control, and/or the MyEvolution web server or other system interfaces, with, and the availability of, the user’s internet service provider or mobile device carrier service, or that the ability to remotely access and adjust the settings of the Evolution® Connex™ Control will not be negatively affected by the network-related modifications, upgrades, or similar activity of the user’s internet service provider or mobile device carrier service.

### Physical Characteristics

Dimensions: See drawing

Appearance: Black glass front, silver plastic body

### Electrical Characteristics/Communication

Input Volts/Amps 24VAC

Each device in the Evolution® System has a four-pin connector labeled ABCD. It is recommended that the following color code be used when wiring each device:

A — Green = Data A+

B — Yellow = Data B-

C — White = 24VAC (Com)

D — Red = 24VAC (Hot)

Always verify that the IDU and ODU are well-grounded, and that there are less than 10 volts AC/DC as measured between the cabinets of the IDU and ODU, while the equipment is operating at full capacity. If there is a larger voltage difference between the cabinets of the IDU and ODU, recheck the equipment grounding.

### Environmental Requirements:

#### Operating Temperature/Relative Humidity:

User interface and all sensors: 32°F to 104°F / °C to 40°C, 95% RH non-condensing

#### Storage Temperature/Relative Humidity:

User interface: - 40°F to 134°F / -40°C to 56.7°C, 95% RH non condensing

### Feature Specifications:

Temperature set point range: 50°F to 90°F / 10.0°C to 32.0°C

Separate heat and cool setpoints

Programming days: 7 day

Programming periods: Up to 5 periods per day

Advanced Smart Setback (with programming)

Touch-N-Go® feature

Occupancy Sensing

Non-Programmable (installer selectable)

Auto Changeover\* (may be disabled)

Simultaneous Heat Cool Demand Algorithm for zoned systems

Programmable fan (installer selectable)

Humidity Sensor Offsets

Auto Changeover Timer (installer adjustable)

Smart Recovery (in heating and cooling)

Hold function

Copy functions: copy day of week; copy zones

Permanent memory

Humidity display and control

Temperature sensor offsets (indoor and outdoor)

TrueSense™ Dirty Filter Detection with compatible indoor equipment

\* See Installation Instructions for details on Auto Changeover and Simultaneous Heat/Cool Demand Algorithm operation.

### Wiring Requirements:

**Power supply:** 24VAC, 40 VA (minimum), 60 Hz, via indoor equipment ABCD Connector. Zoning systems with a large number of dampers, especially multiple dampers per zone, may require a separate, dedicated, field-installed 24VAC power supply. The SAM module requires an independent, isolated, field-supplied 24VAC power supply.

**Wiring material:** Standard thermostat wire 18 to 22 gauge. Use 18 AWG wiring for wire lengths over 25 feet. Shielded, twisted pair cable for the ABCD communication bus is optional, and may be helpful in electrically noisy environments, or for zoning systems with Smart Sensors.

### NIM Requirements:

| IDU      | Non-communicating ODU | NIM Required? |
|----------|-----------------------|---------------|
| Furnace  | 1-stage A/C           | No            |
| Furnace  | 2-stage A/C           | Yes           |
| Furnace  | 1-stage HP            | Yes           |
| Furnace  | 2-stage HP            | Yes           |
| Fan Coil | 1-stage A/C           | No            |
| Fan Coil | 2-stage A/C           | Yes           |
| Fan Coil | 1-stage HP            | No            |
| Fan Coil | 2-stage HP            | Yes           |

## Controls

| Description  | Part No.        |
|--|-----------------|
| Evolution® Connex™ Control with Wi-Fi® Remote Access Capability (Black)                        | SYSTXBBECC01-C  |
| Evolution® Connex™ Control with Wi-Fi® Remote Access Capability (White)                        | SYSTXBBWEC01-B  |
| Evolution® Connex™ Control with Wi-Fi® Remote Access Capability (Black with French Literature) | SYSTXBBECF01-B  |
| Evolution® Connex™ Control with Wi-Fi® Remote Access Capability (White with French Literature) | SYSTXBBWEF01-B  |
| Evolution® Network Interface Module (NIM)  | SYSTXBBNIM01*†‡ |
| Translator Board   | SYSTXXTRB01     |

- \*. Required for ventilator control
- †. Required for Hybrid Heat applications with non-communicating heat pumps
- ‡. Required for use with 2-stage (non-communicating) AC or HP

## Zoning Controls

| Description                               | Part No.        |
|---|-----------------|
| Evolution® Damper Control Module (4 Zone) | SYSTXBB4ZC01*   |
| Evolution® Smart Sensor                   | SYSTXBBSMS01-E† |

- \*. One Damper Control Module for up to 4 zones. A second Damper Control Module is required for zones 5–8.
  - †. Smart Sensor dimensions are 3.375 in. (85mm) side x 4 in. (101 mm) high
- NOTE: Each piece of the zoning equipment is purchased separately allowing for customization of the zoning application.

## Optional Accessories

| Description   | Part No.       |
|---|----------------|
| Evolution® Remote Room Sensor - Wired (RRS)                   | SYSTXBBRRS01*  |
| Decorative Trim Plate - Silver (six pack)                     | SYSTXNNSBP06†  |
| Decorative Trim Plate - White (six pack)                      | SYSTXNNWBP06†  |
| Decorative Trim Plate - Black (six pack)                      | SYSTXNNBBP06 † |
| Decorative Trim Plate - Gray (six pack)                       | SYSTXNNGBP06†  |
| ABCD Equipment Communication Connector (Green Plug; 10 pack)  | SYSTXGRPLG10   |
| Outdoor Air Temperature Sensor                                | TSTATXXSEN01-B |
| Energy Tracking Kit (EWT) for GC and GZ Geothermal Heat Pumps | KHAGT0101KIT‡  |
| Evolution® Remote Access Module, (SAM)                        | SYSTXNNRCT01   |
| Accessory Power Transformer for SAM Modules                   | SYSTXNNXFM01‡  |

- \*. Not required, but may be used to remote sense indoor room temperature.
- †. Backplate dimensions 6.83 in. (173.5 mm) wide X 5.97 in. (151.7 mm) high.
- ‡. Available from RC/Totaline.

## Damper Accessories & Replacement Parts

| Description                                    | Part No.   |
|--|------------|
| 45° Actuator for round and rectangular dampers | HF21KJ011* |
| 90° Actuator for slip-in dampers               | HF21KJ012* |
| Damper Control Module 1-amp Fuse               | ATO1*      |

- \*. Available from RC

## Round & Rectangular Dampers

| Description         | Part No.        |                |
|---------------------|-----------------|----------------|
| Round Dampers       | 6 in.           | DAMPRND06INC-* |
|                     | 8 in.           | DAMPRND08INC-* |
|                     | 10 in.          | DAMPRND10INC-* |
|                     | 12 in.          | DAMPRND12INC-* |
|                     | 14 in.          | DAMPRND14INC-* |
|                     | 16 in.          | DAMPRND16INC-* |
| Rectangular Dampers | 8 in. X 10 in.  | DAMPREC08X10-* |
|                     | 8 in. X 14 in.  | DAMPREC08X14-* |
|                     | 8 in. X 18 in.  | DAMPREC08X18-* |
|                     | 8 in. X 24 in.  | DAMPREC08X24-* |
|                     | 10 in. X 10 in. | DAMPREC10X10-* |
|                     | 10 in. X 14 in. | DAMPREC10X14-* |
|                     | 10 in. X 18 in. | DAMPREC10X18-* |
|                     | 10 in. X 24 in. | DAMPREC10X24-* |

## Slip-in Dampers

|  | Description           | Part No.       |
|--|-----------------------|----------------|
|  | Side mount, 8 X 8     | DAMPSSL08X08-* |
|  | Bottom mount, 8 X 8   | DAMPSLB08X08-* |
|  | Side mount, 8 X 10    | DAMPSSL08X10-* |
|  | Bottom mount, 8 X 10  | DAMPSLB08X10-* |
|  | Side mount, 8 X 12    | DAMPSSL08X12-* |
|  | Bottom mount, 8 X 12  | DAMPSLB08X12-* |
|  | Side mount, 8 X 14    | DAMPSSL08X14-* |
|  | Bottom mount, 8 X 14  | DAMPSLB08X14-* |
|  | Side mount, 8 X 16    | DAMPSSL08X16-* |
|  | Bottom mount, 8 X 16  | DAMPSLB08X16-* |
|  | Side mount, 8 X 18    | DAMPSSL08x18-* |
|  | Bottom mount, 8 X 18  | DAMPSLB08X18-* |
|  | Side mount, 8 X 20    | DAMPSSL08X20-* |
|  | Bottom mount, 8 X 20  | DAMPSLB08X20-* |
|  | Side mount, 8 X 22    | DAMPSSL08X22-* |
|  | Bottom mount, 8 X 22  | DAMPSLB08X22-* |
|  | Side mount, 8 X 24    | DAMPSSL08X24-* |
|  | Bottom mount, 8 X 24  | DAMPSLB08X24-* |
|  | Side mount, 10 X 10   | DAMPSSL10X10-* |
|  | Bottom mount, 10 X 10 | DAMPSLB10X10-* |
|  | Side mount, 10 X 12   | DAMPSSL10X12-* |
|  | Bottom mount, 10 X 12 | DAMPSLB10X12-* |
|  | Side mount, 10 X 14   | DAMPSSL10X14-* |
|  | Bottom mount, 10 X 14 | DAMPSLB10X14-* |
|  | Side mount, 10 X 16   | DAMPSSL10X16-* |
|  | Bottom mount, 10 X 16 | DAMPSLB10X16-* |
|  | Side mount, 10 X 18   | DAMPSSL10X18-* |
|  | Bottom mount, 10 X18  | DAMPSLB10X18-* |
|  | Side mount, 10 X 20   | DAMPSSL10X20-* |
|  | Bottom mount, 10 X 20 | DAMPSLB10X20-* |
|  | Side mount, 10 X 22   | DAMPSSL10X22-* |
|  | Bottom mount, 10 X 22 | DAMPSLB10X22-* |
|  | Side mount, 10 X 24   | DAMPSSL10X24-* |
|  | Bottom mount, 10 X 24 | DAMPSLB10X24-* |
|  | Side mount, 12 X 12   | DAMPSSL12X12-* |
|  | Bottom mount, 12 X 12 | DAMPSLB12X12-* |
|  | Side mount, 12 X 14   | DAMPSSL12X14-* |
|  | Bottom mount, 12 X 14 | DAMPSLB12X14-* |
|  | Side mount, 12 X 16   | DAMPSSL12X16-* |
|  | Bottom mount, 12 X 16 | DAMPSLB12X16-* |
|  | Side mount, 12 X 18   | DAMPSSL12X18-* |
|  | Bottom mount, 12 X 18 | DAMPSLB12X18-* |
|  | Side mount, 12 X 20   | DAMPSSL12X20-* |
|  | Bottom mount, 12 X 20 | DAMPSLB12X20-* |
|  | Side mount, 14 X 14   | DAMPSSL14X14-* |
|  | Bottom mount, 14 X 14 | DAMPSLB14X14-* |
|  | Side mount, 14 X 16   | DAMPSSL14X16-* |
|  | Bottom mount, 14 X 16 | DAMPSLB14X16-* |
|  | Side mount, 14 X 20   | DAMPSSL14X20-* |
|  | Bottom mount, 14 X 20 | DAMPSLB14X20-* |
|  | Side mount, 16 X 16   | DAMPSSL16X16-* |
|  | Bottom mount, 16 X 16 | DAMPSLB16X16-* |
|  | Bottom mount, 16 X 20 | DAMPSLB16X20-* |

Slip-In Dampers

### Training

My Learning Center is your central location for professional residential HVAC training resources that help strengthen careers and businesses. We believe in providing high quality learning experiences both online and in the classroom.

Access My Learning Center with your HVACpartners credentials at [www.mlctraining.com](http://www.mlctraining.com). Please contact us a [mylearning@carrier.com](mailto:mylearning@carrier.com) with questions.

