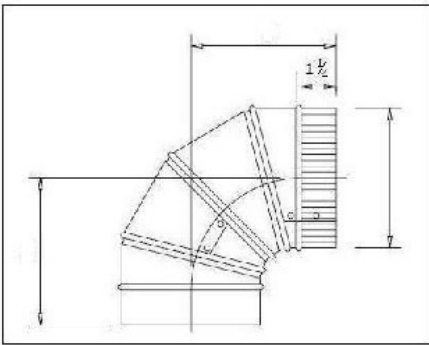

		Corporate 7601 State Road Philadelphia, PA 19136 Phone (800) 899-2850		SPECIFICATION DATA SHEET	MODEL # 401 ADJUSTABLE 90 DEGREE ELBOW
DIMENSIONAL DATA SIZES AVAILABLE 3" THROUGH 16" DIAMETERS		 			
FABRICATION DATA ALUMINUM 3003 TEMPER H14					
DIAMETER	GAUGE SIZE				
3	.019 THICK ALUMINUM				
4	.019 THICK ALUMINUM				
5	.019 THICK ALUMINUM				
6	.019 THICK ALUMINUM				
7	.019 THICK ALUMINUM				
8	.019 THICK ALUMINUM				
9	.019 THICK ALUMINUM				
10	.019 THICK ALUMINUM				
12	.019 THICK ALUMINUM				
14	.019 THICK ALUMINUM				
16	.019 THICK ALUMINUM				
ASSEMBLY: PRODUCED ON AUTOMATIC ELBOW MACHINES, ENSURING HIGH QUALITY, EASE OF ADJUSTMENT AND PERFECT SIZING.					
FEATURES		BRANCH LOCATIONS			
EASILY ADJUSTABLE: TAPERED CRIMP - LARGE BEAD ALLOWS EVEN LARGE ELBOWS TO ADJUST		GEORGIA 3655 Florence Rd. Powder Springs, GA 30127 (800) 888-4391	MINNESOTA 1011 11th Avenue S.E. Detroit Lakes, MN 56501 (800) 328-2044	NEW YORK 214 Commercial St. Medina, NY 14103 (800) 229-0021	PENNSYLVANIA 7601 State Rd. Philadelphia, PA 19136 (800) 899-2850
DURABLE: MADE ON THE MOST MODERN AUTOMATIC ELBOW MACHINES		OREGON 16233 N. East Cameron Blvd. Portland, OR 97230 (800) 300-1660	