



325 COMMERCE DRIVE
 MT VERNON, OH 43050
 800-253-8236

SPECIFICATION DATA SHEET

DATE: 9-13-12
 PREPARED BY: RL

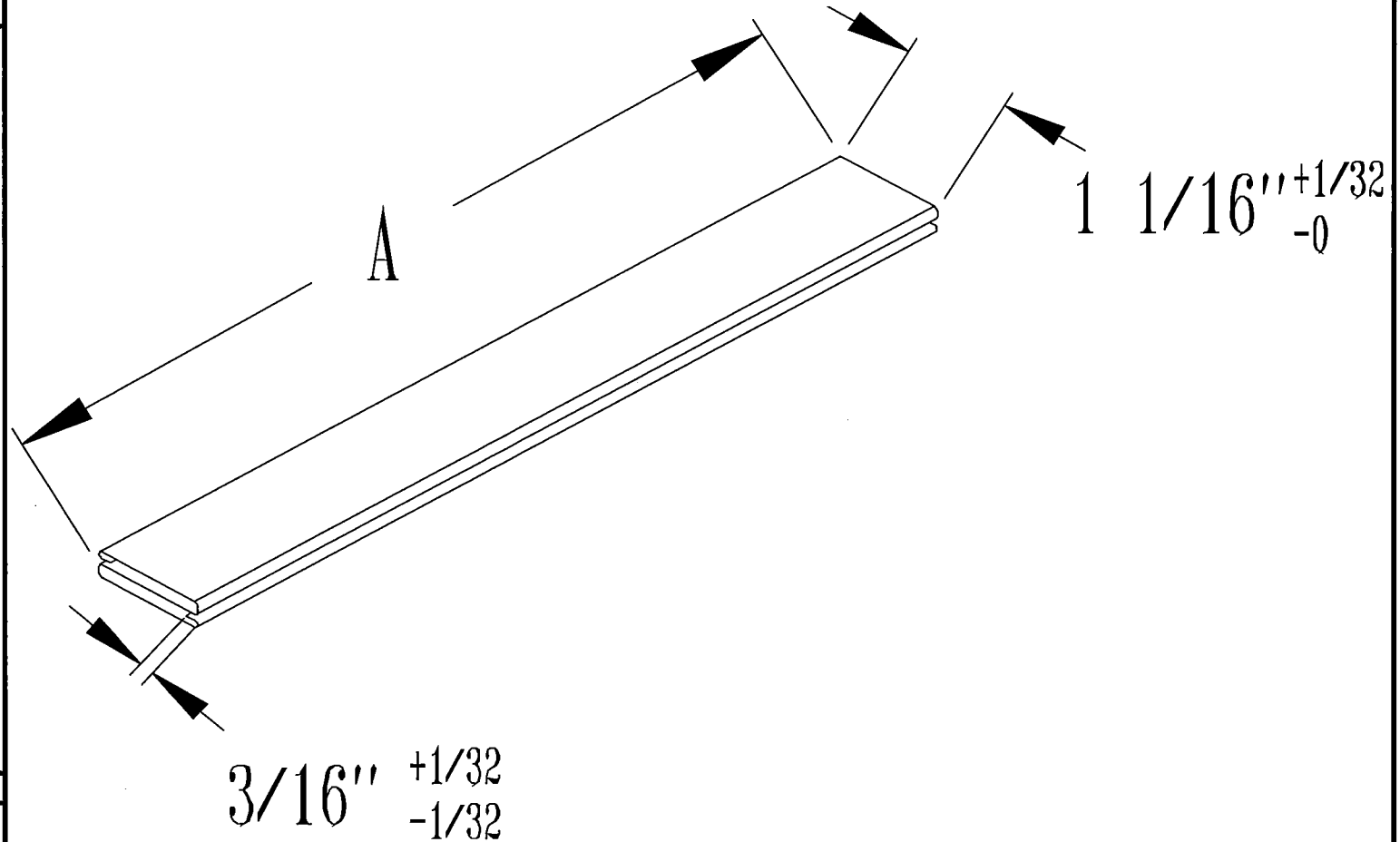
MODEL NO. 516

S CLEATS

STANDARD MODEL

DIMENSIONS

SIZE	A
8"	7 1/2"
9"	8 1/2"
10"	9 1/2"
11"	10 1/2"
12"	11 1/2"
14"	14 1/2"
16"	16 1/2"
18"	17 1/2"
19"	18 1/2"
20"	19 1/2"
22"	21 1/2"
24"	23 1/2"
25"	24 1/2"
26"	25 1/2"
28"	27 1/2"
30"	29 1/2"
32"	31 1/2"
34"	33 1/2"
36"	36"
48"	48"
60"	60"
96"	96"
120"	120"



MATERIAL SPECIFICATIONS

HOT DIPPED GALVANIZED STEEL.
 PER ASTM A 653 CSB.

STD, 28GA & 26GA AVAILABLE

OPTIONS

JOB: _____
 LOCATION: _____
 CONTRACTOR: _____
 ENGINEER: _____
 NOTES: _____