



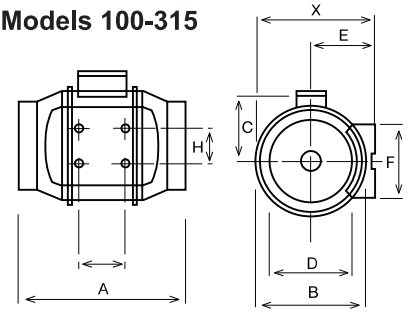
MODEL TD-MIXVENT

(For High Air Flow to Pressure Ratio Applications Minimum Space)

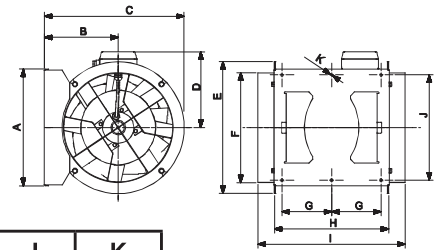
Dimensions inches/mm

Model	X	A	B	C	D	E	F	G	H
TD-100	5 15/16 151	9 1/8 232	5 7/16 138	3 3/4 96	3 7/8 98	3 1/4 82	3 3/4 95	1 7/8 48	2 1/16 52
TD-100x1	7 3/8 188	11 15/16 303	6 15/16 176	4 1/2 115	3 13/16 97	3 15/16 100	3 9/16 90	3 1/8 80	2 3/8 60
TD-125	7 3/8 188	10 3/16 258	6 15/16 176	4 1/2 115	4 13/16 123	3 15/16 100	3 9/16 90	3 1/8 80	2 3/8 60
TD-150	8 3/8 212	11 5/8 295	7 7/8 200	5 127	5 13/16 147	4 7/16 112	5 1/8 130	3 1/8 80	2 3/8 60
TD-200	9 3/16 233	11 7/8 302	8 9/16 217	5 9/16 141	7 13/16 198	4 7/8 124	5 1/2 140	3 15/16 100	3 11/16 94
TD-250	11 7/16 291	15 3/16 386	10 11/16 272	7 9/16 192	9 3/4 248	6 1/8 155	6 5/8 168	5 11/16 145	5 1/2 140
TD-315	14 356	17 11/16 450	13 1/4 336	8 13/16 224	12 5/16 312	7 3/8 188	8 1/4 210	7 3/16 182	7 178

Models 100-315



Models 355-400



Model	A	B	C	D	E	F	G	H	I	J	K
TD-355	14 5/8 376	9 3/8 238	17 11/16 449	8 5/8 224	16 7/8 426	13 15/16 354	5 8/9 149	14 1/2 368	18 2/3 474	13 3/8 340	1/3 8
TD-400	16 406	9 4/5 249	19 3/8 492	10 1/2 267	19 1/8 487	15 5/7 399	6 2/7 160	16 3/4 425	21 5/9 547	14 4/7 370	1/3 8

FAN DATA					
Fan No.	Qty.	Model No.	CFM	SP	RPM



MOTOR DATA					
AMPS	RPM	VOLTS	PH	HZ	ENCLOSURE

ACCESSORIES	1	2	3	4	5	REMARKS
<input type="checkbox"/>						<input type="checkbox"/>
<input type="checkbox"/>						<input type="checkbox"/>
<input type="checkbox"/>						<input type="checkbox"/>
<input type="checkbox"/>						<input type="checkbox"/>

For more information contact us at www.solerpalau-usa.com or 1.800.961.7370 for additional submittal drawings.

Soler & Palau will not be responsible for fabrication changes or errors resulting from customer use of a non-current submittal drawing.