



325 COMMERCE DRIVE
 MT VERNON, OH 43050
 800-253-8236

SPECIFICATION DATA SHEET

DATE: 10-10-13 PAGE 1
 PREPARED BY: RL

MODEL NO. 705 COLD AIR DROP KIT - TOP LOAD

STANDARD MODEL

DIMENSIONS

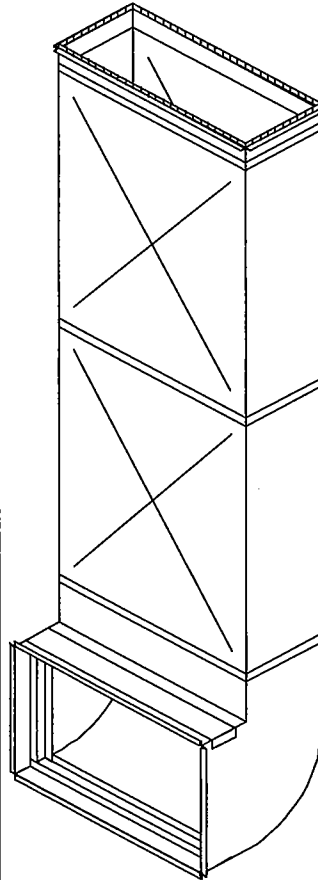
SIZE		FILTER SIZE
PLENUM SIDE	DUCT SIDE	
14" x 25"	25" x 10"	14X25X1

MATERIAL SPECIFICATIONS

HOT DIPPED GALVANIZED STEEL.
 PER ASTM A 653 CSB.

OPTIONS

Cold Air Drop Kit Includes:



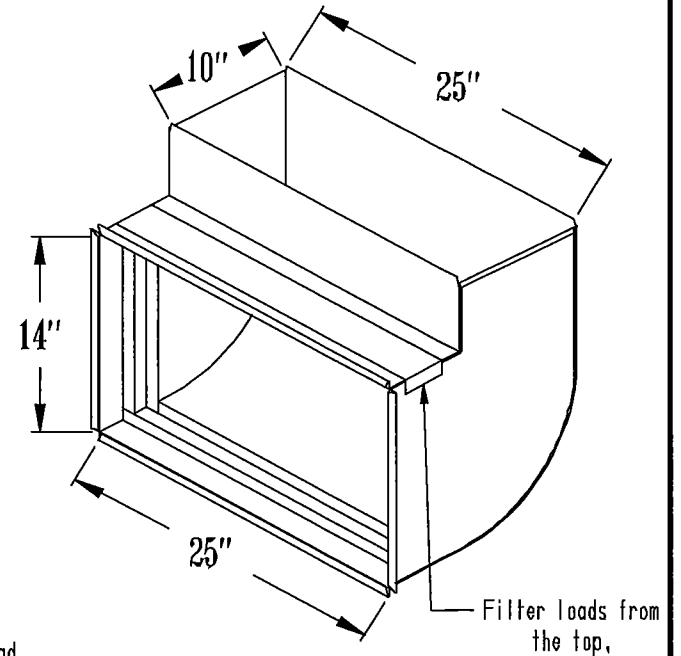
(x1) 25x10 Duct Starting Collar
 (See page 2)

(x2) 10x25x32 Duct
 (See page 3)

(x6) 10" Double End Drive Cleats
 (See page 4)

(x6) 25" S-Cleats
 (See page 5)

(x1) 10x25-25x14 Cold Air Boot Top Load
 (See page 6)



JOB: _____
 LOCATION: _____
 CONTRACTOR: _____
 ENGINEER: _____
 NOTES: _____



325 COMMERCE DRIVE
MT VERNON, OH 43050
800-253-8236

SPECIFICATION DATA SHEET

DATE: 10-10-13
PREPARED BY: RL
PAGE 2

MODEL NO. 007

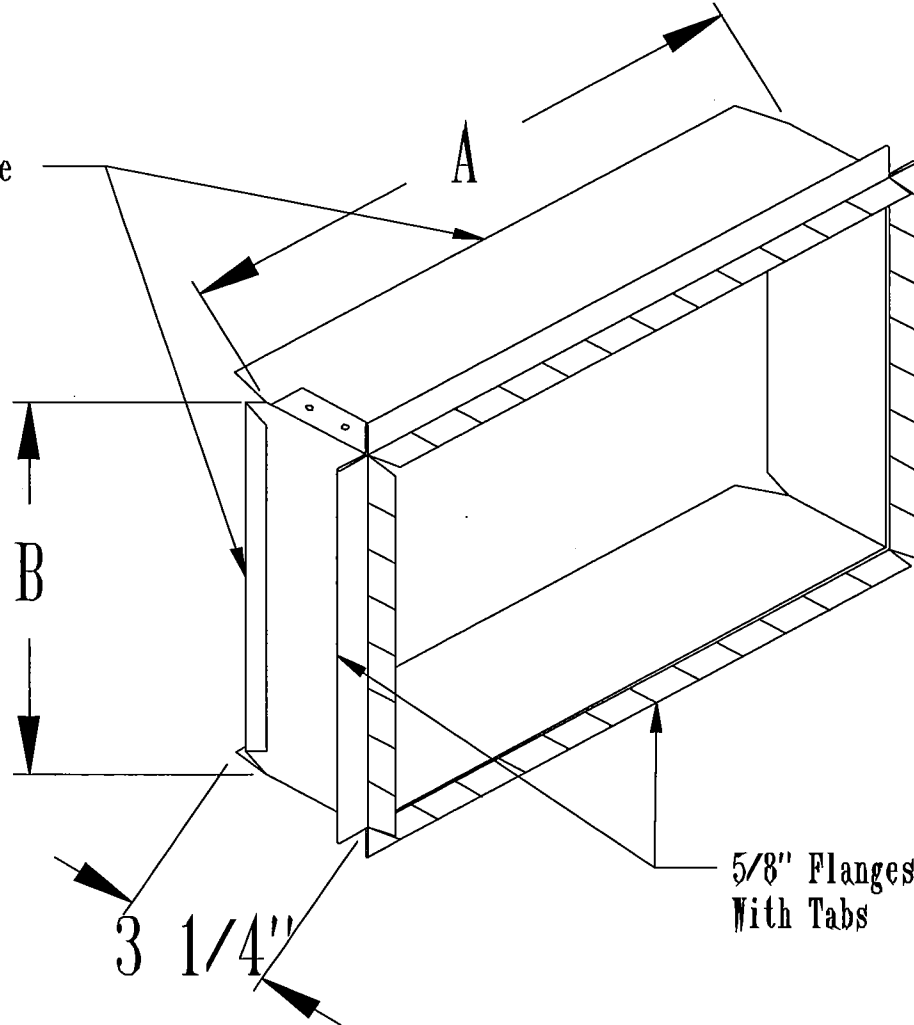
Duct Start Collar - No Rise

STANDARD MODEL - FOR 705 DROP KIT

DIMENSIONS

SIZE	A	B
25X10	25"	10"

Slip & Drive
Flanges



MATERIAL SPECIFICATIONS

HOT DIPPED GALVANIZED STEEL.
PER ASTM A 653 CSB.

26 GAUGE CONSTRUCTION

OPTIONS

JOB: _____
LOCATION: _____
CONTRACTOR: _____
ENGINEER: _____
NOTES: _____



325 COMMERCE DRIVE
 MT VERNON, OH 43050
 800-253-8236

SPECIFICATION DATA SHEET

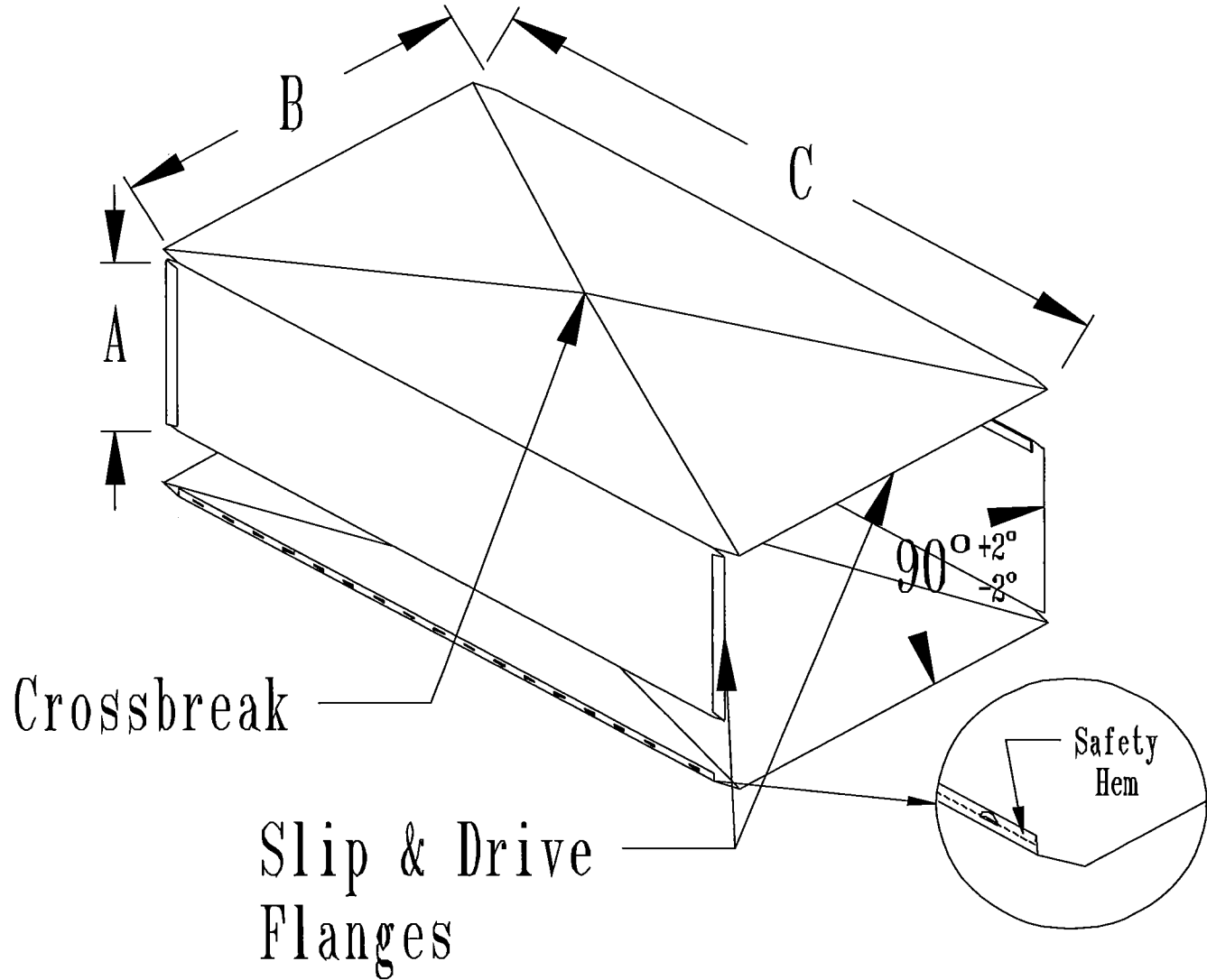
DATE: 10-10-13 PAGE: 3
 PREPARED BY: RL

MODEL NO. 153

DUCT

STANDARD MODEL - FOR 705 DROP KIT

SIZE				GAUGE	
A	x	B	x		C
10"	x	25"	x	32"	26



MATERIAL SPECIFICATIONS

HOT DIPPED GALVANIZED STEEL.
 PER ASTM A 653 CSB.

OPTIONS

JOB: _____
 LOCATION: _____
 CONTRACTOR: _____
 ENGINEER: _____
 NOTES: _____



325 COMMERCE DRIVE
MT VERNON, OH 43050
800-253-8236

SPECIFICATION DATA SHEET

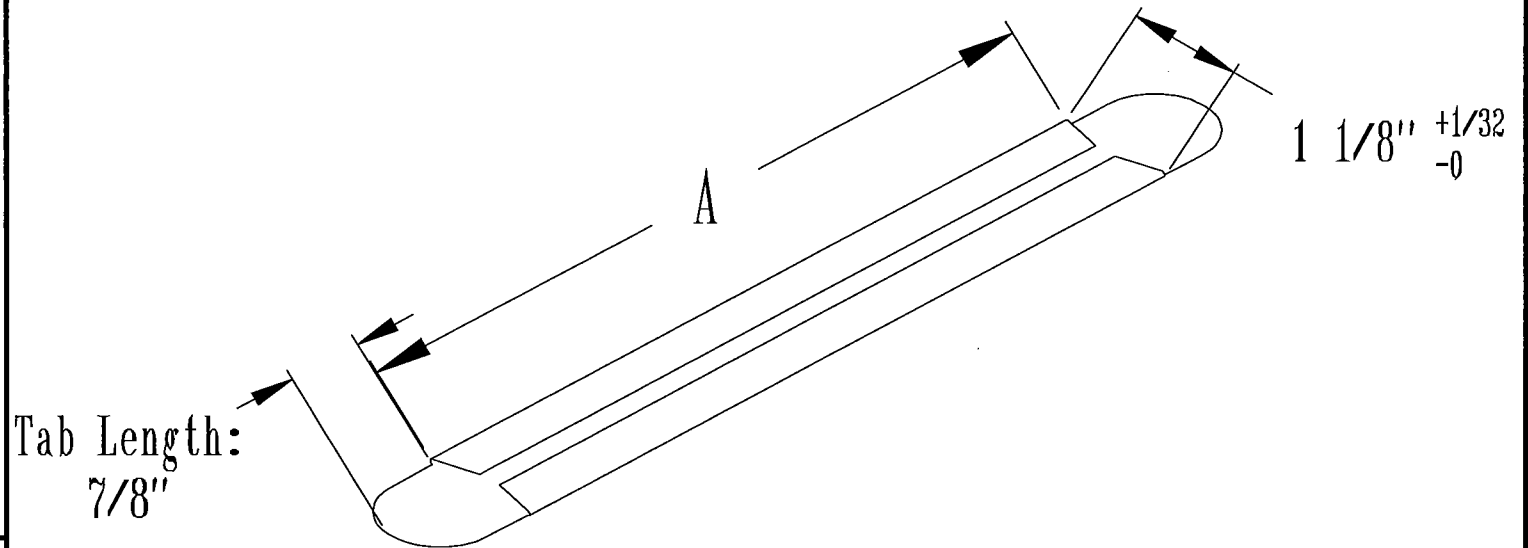
DATE: 10-10-13 PAGE: 4
PREPARED BY: RL

MODEL NO. 700 DOUBLE END DRIVE CLEAT

STANDARD MODEL - FOR 705 DROP KIT

DIMENSIONS

SIZE	A	Tol.
10"	10"	+/-1/32"



MATERIAL SPECIFICATIONS

HOT DIPPED GALVANIZED STEEL.
PER ASTM A 653 CSB.

28 GAUGE CONSTRUCTION

OPTIONS

JOB: _____
LOCATION: _____
CONTRACTOR: _____
ENGINEER: _____
NOTES: _____



325 COMMERCE DRIVE
MT VERNON, OH 43050
800-253-8236

SPECIFICATION DATA SHEET

DATE: 10-10-13 PAGE: 5
PREPARED BY: RL

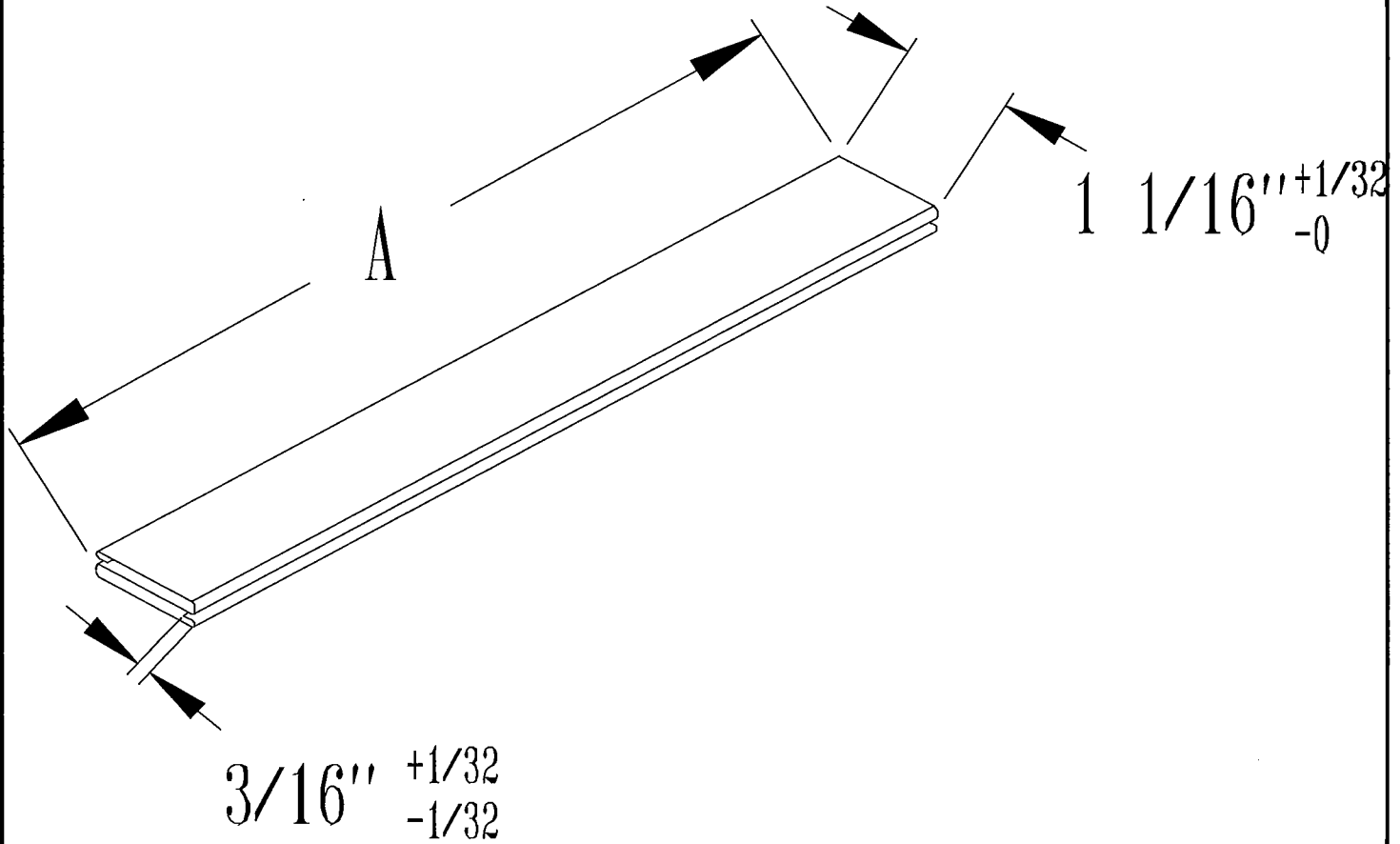
MODEL NO. 516

S CLEATS

STANDARD MODEL - FOR 705 DROP KIT

DIMENSIONS

SIZE A
25" 24 1/2"



MATERIAL SPECIFICATIONS

HOT DIPPED GALVANIZED STEEL.
PER ASTM A 653 CSB.

STD GAUGE CONSTRUCTION

OPTIONS

JOB: _____
LOCATION: _____
CONTRACTOR: _____
ENGINEER: _____
NOTES: _____



325 COMMERCE DRIVE
 MT VERNON, OH 43050
 800-253-8236

SPECIFICATION DATA SHEET

DATE: 10-10-13 PAGE: 6
 PREPARED BY: RL

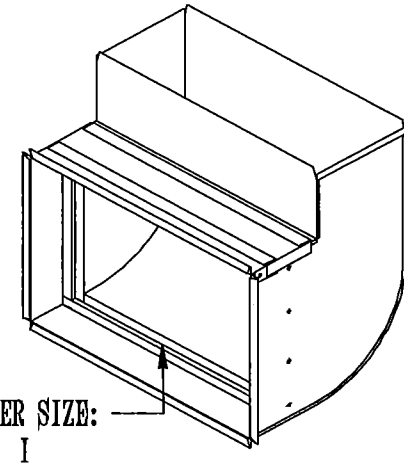
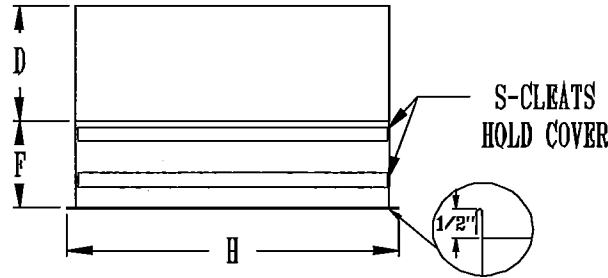
MODEL NO. 070

COLD AIR BOOT - TOP LOAD

STANDARD MODEL - FOR 705 DROP KIT

DIMENSIONS

SIZE = A x B - C x D								FILTER SIZE
PLENUM SIDE		DUCT SIDE		E	F	G	H	I
A	x B	C	x D					
14"	x 25"	25"	x 10"	6"	6"	15"	26"	14X25X1



MATERIAL SPECIFICATIONS

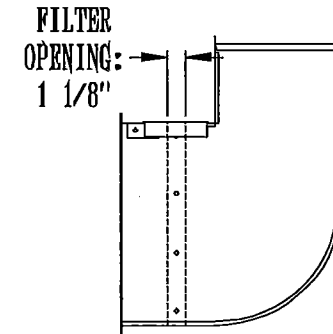
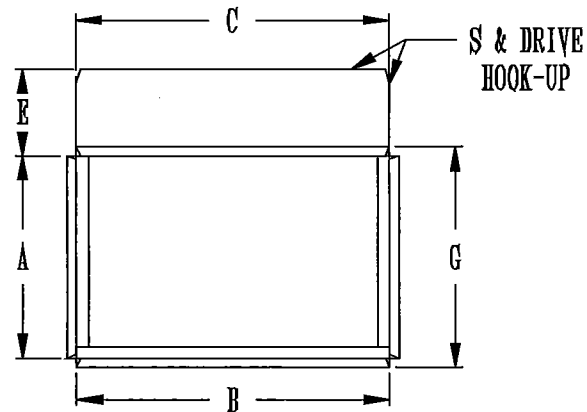
HOT DIPPED GALVANIZED STEEL.
 PER ASTM A 653 CSB.

26 GAUGE CONSTRUCTION.

PITTSBURG LOCK ASSEMBLY

S-CLEATS ARE STANDARD GAUGE

COVER IS 26 GAUGE



OPTIONS

JOB: _____
 LOCATION: _____
 CONTRACTOR: _____
 ENGINEER: _____
 NOTES: _____