

**IMPORTANT**

1. Always include complete heater model and serial number so that any specification change can be considered for parts shipment. It can save time and expense.
2. Specifications subject to change without notice.
3. We reserve the right to substitute functional replacements.
4. Order by Part Number. **Do not** order by Option Number.



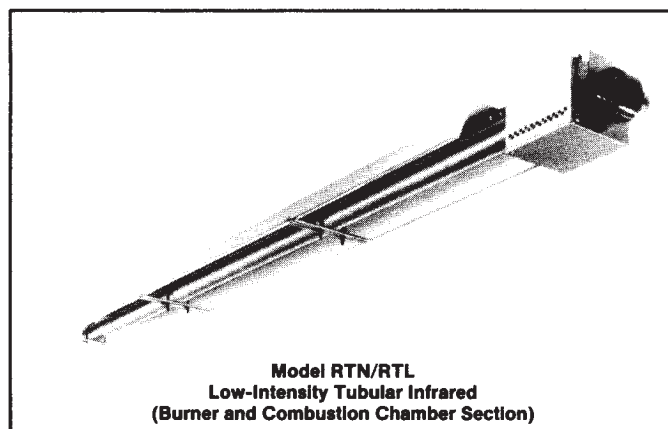
**MODEL RTN/RTL  
INFRARED  
HEATERS**

**OBSOLETES PARTS FORM RGM 710  
Service Data**

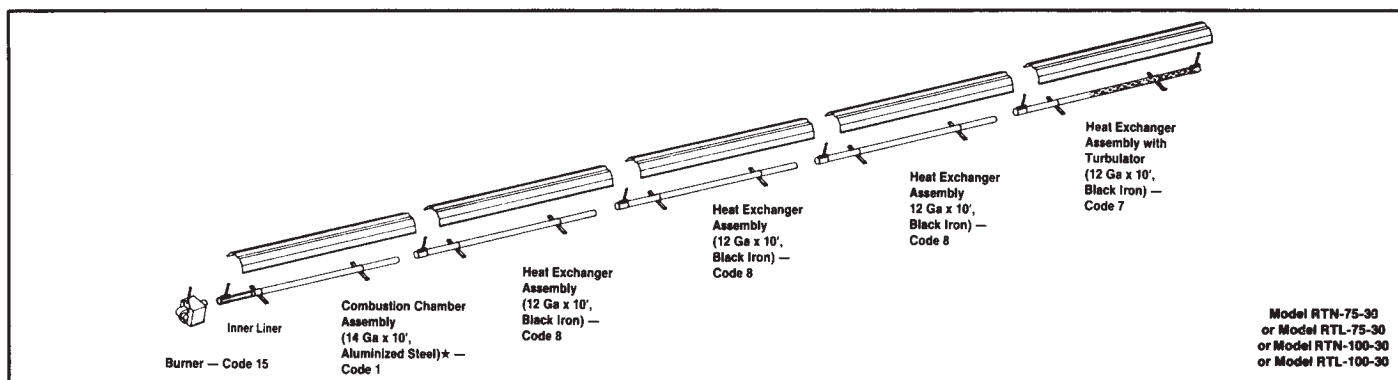
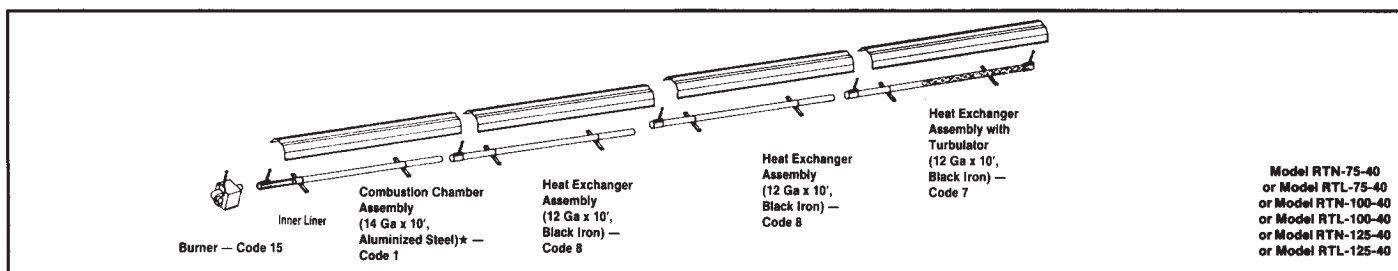
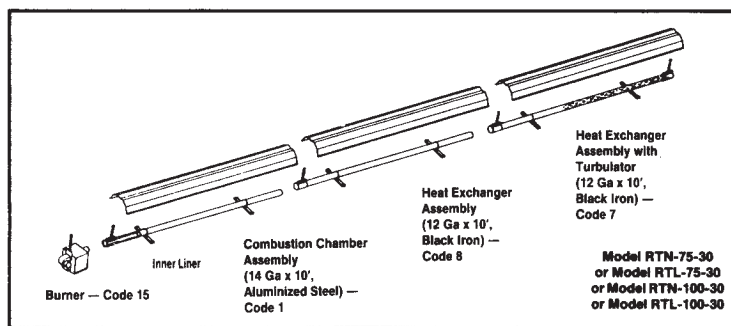
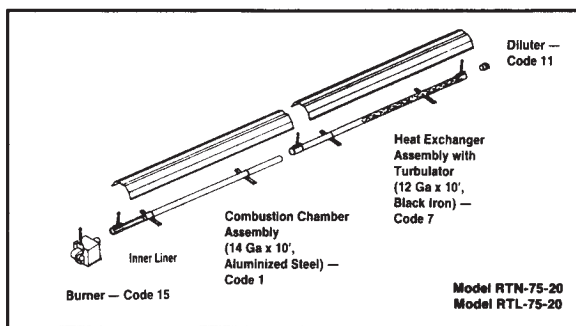
**REZNOR** MERCER, PA. 16137

**APPLIES TO: Models RTN/RTL (Low-Intensity)**

INDEX REFERENCE BY PAGE NO.	Models RTN/RTL
Blower (Burner)	3
Burner Assembly	3
Chains for Hanging	4
Combustion Chamber Assembly	2
Connector (Gas), Stainless	4
Diluter	2
Heat Exchanger Assembly	2
Ignition Detection Control	3
Inlet Air Terminal	4
Layouts of Tubular Heaters	1
Lights	3
Manifold	3
Reflector	2
Switch, Air Flow	3
Thermostat	4
U-Bend Assembly	4
Valve	3
Vent Assembly	4
Vent Cap	4

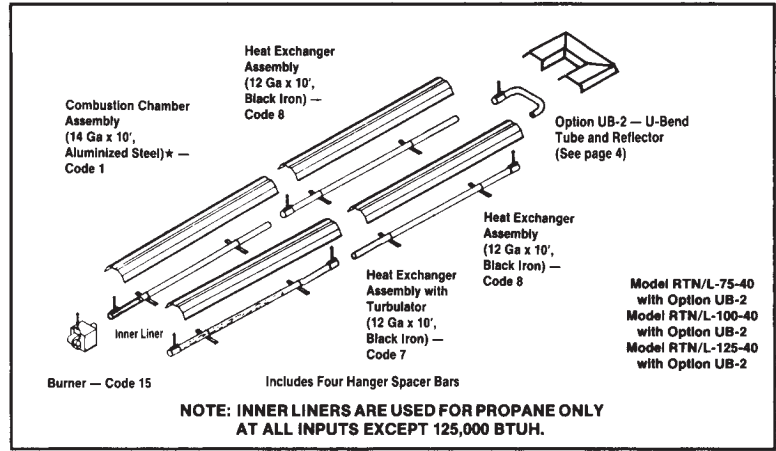
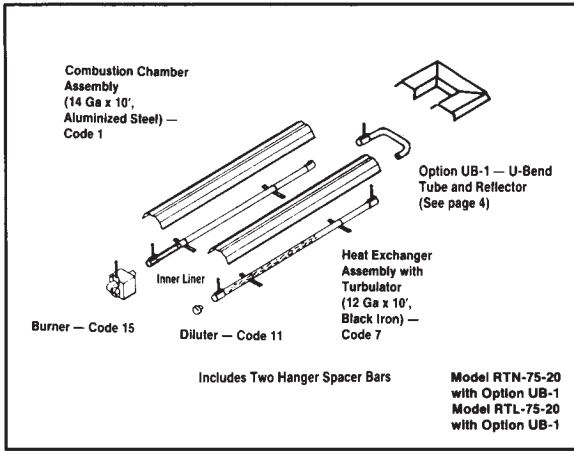


Reference "Layouts" of All Models — See pages 2-4 for replacement part numbers.



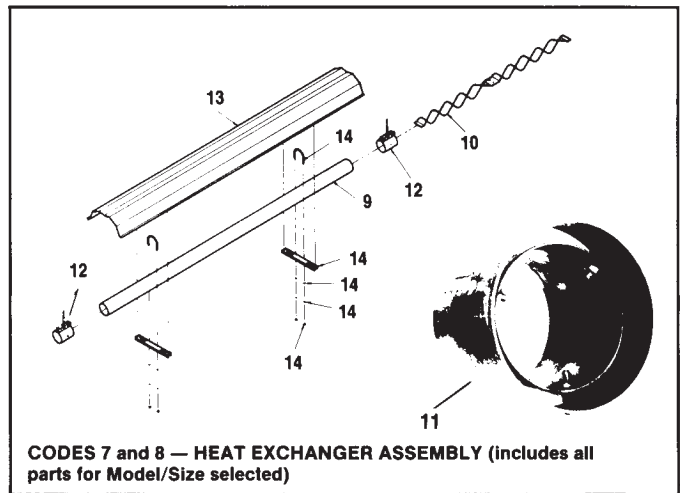
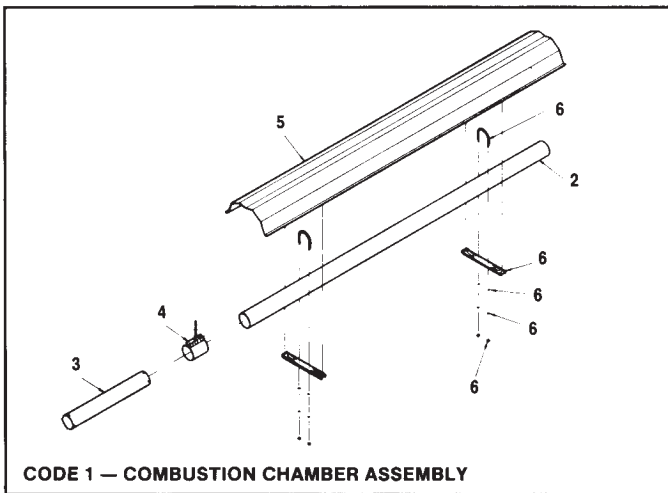
\*Combustion Chamber Assembly for RTN/RTL 125 and 150 has black emitter surface.

# Models RTN/RTL — Reference & Layouts (cont'd.)



★Combustion chamber assembly for RTN/RTL 125 has black emitter surface.

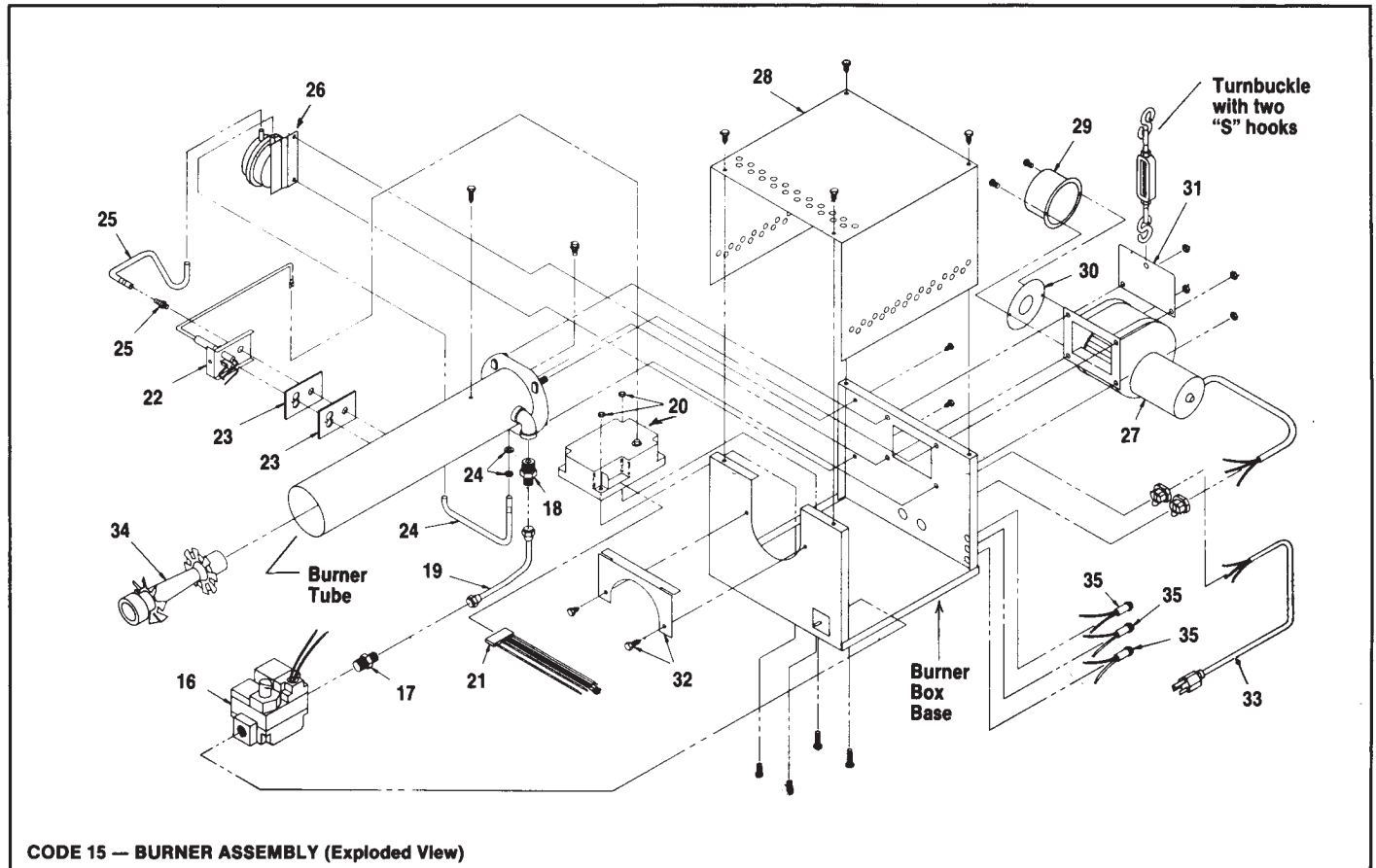
**Combustion Chamber and Heat Exchanger Parts (Replacement Parts for both Natural and Propane — unless Indicated Otherwise. When Pkg. No. is listed, include both P/N and Pkg. No. on the order):**



CODE	DESCRIPTION	SIZE									
		75-20	75-30	75-40	100-30	100-40	100-50	125-40	125-50	150-50	
1	Combustion Chamber Assembly (Includes all parts for Model/Size selected)	Natural	95942	95942	95942	95942	95942	95942	95947	95947	95947
		Propane	95945	95945	95945	95945	95945	95945	95947	95947	N/A
<b>Replacement Component Parts Included in Combustion Chamber Assemblies (Code 1):</b>											
2	10' x 4" OD Aluminized Steel Tube	96033	96033	96033	96033	96033	96033	N/A	N/A	N/A	
	10' x 4" OD Aluminized Steel Tube Painted Black	N/A	N/A	N/A	N/A	N/A	N/A	96034	96034	96034	
3	Inner Liner	Natural	N/A	N/A	N/A	N/A	N/A	N/A	N/A	N/A	
		Propane	96036	96036	96036	96036	96036	96036	N/A	N/A	
4	6" x 4" ID Tube Clamp Assembly with Turnbuckle Leveler, Nuts and Bolts	112708	112708	112708	112708	112708	112708	112708	112708	112708	
4A	Turnbuckle Leveler only with two "S" Hooks	96038	96038	96038	96038	96038	96038	96038	96038	96038	
5	10' Reflector Section	96039	96039	96039	96039	96039	96039	96039	96039	96039	
6	Reflector Support Bracket Assembly including U-Bolts, Nuts and Washers	96040	96040	96040	96040	96040	96040	96040	96040	96040	
7	Heat Exchanger Assembly (end section with Turbulator)	Natural	95943	95943	95943	95943	95943	95943	95943	95943	
		Propane	95943	95943	95943	95943	95943	95943	95943	N/A	
8	Heat Exchanger Assembly (Component Pkg. H4 — center sections without Turbulator)	Natural	N/A	95498 (1)	95498 (2)	95498 (1)	95498 (2)	95498 (3)	95498 (2)	95498 (3)	
		Propane	N/A	95948 (1)	95948 (2)	95948 (1)	95948 (2)	95948 (3)	95948 (2)	95948 (3)	
<b>Replacement Component Parts Included in Heat Exchanger Assemblies (Codes 7 and 8):</b>											
9	10' x 4" OD Black Iron Tube	96035	96035	96035	96035	96035	96035	96035	96035	96035	
10	Turbulator	96037	96037	96037	96037	96037	96037	96037	96037	96037	
11	Diluter Assembly (Component Pkg. H8)	95955	N/A	N/A	N/A	N/A	N/A	N/A	N/A	N/A	
12	6" x 4" ID Tube Clamp Assembly with Turnbuckle Leveler, Nuts and Bolts	112708	112708	112708	112708	112708	112708	112708	112708	112708	
12A	Turnbuckle Leveler only with two "S" Hooks	96038	96038	96038	96038	96038	96038	96038	96038	96038	
13	10' Reflector Section only	96039	96039	96039	96039	96039	96039	96039	96039	96039	
14	Reflector Support Bracket Assembly including U-Bolts, Nuts and Washers	96040	96040	96040	96040	96040	96040	96040	96040	96040	

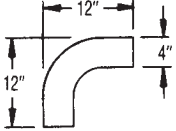
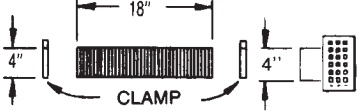
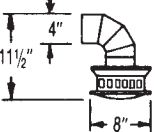


# Model RTN/RTL — Burner Assemblies (when Pkg. No. is listed, include both P/N and Pkg. No. on the order.)

CODE	DESCRIPTION	SIZE									
		75-20	75-30	75-40	100-30	100-40	100-50	125-40	125-50	150-50	
15	Complete Burner Assembly	Natural	95957 Pkg. B-1	95957 Pkg. B-1	95957 Pkg. B-1	95961 Pkg. B-3	95961 Pkg. B-3	95961 Pkg. B-3	95965 Pkg. B-5	95965 Pkg. B-5	95969 Pkg. B-7
		Propane	95959 Pkg. B-2	95959 Pkg. B-2	95959 Pkg. B-2	95963 Pkg. B-4	95963 Pkg. B-4	95963 Pkg. B-4	95967 Pkg. B-6	95967 Pkg. B-6	N/A
<b>Replacement Component Parts Included in Burner Assembly (Code 15):</b>											
16	Combination Gas Control Valve 120V, #36C27A-207	96002	96002	96002	96002	96002	96002	96002	96002	96002	
17	Gas Orifice Holder without Orifice	96003	96003	96003	96003	96003	96003	96003	96003	96004	
18	Gas Orifice Holder with Orifice	Natural	96007 #5	96007 #5	96007 #5	N/A	N/A	N/A	N/A	N/A	
		Propane	96009 #25	96009 #25	96009 #25	95994 #14	95994 #14	95994 #14	96008 #11	96008 #11	N/A
19	Gas Manifold Assembly with Fittings	96005	96005	96005	96005	96005	96005	96005	96005	96006	
20	Ignition Detection Control, Mark 10X-117	96010	96010	96010	96010	96010	96010	96010	96010	96010	
21	Wire Harness Assembly	96011	96011	96011	96011	96011	96011	96011	96011	96011	
22	Ignitor Assembly, #760-150	96012	96012	96012	96012	96012	96012	96012	96012	96012	
23	Ignitor Gaskets (set of two)	96013	96013	96013	96013	96013	96013	96013	96013	96013	
24	Vinyl Tubing with Snubber and Fittings for Inlet Air	96014	96014	96014	96014	96014	96014	96014	96014	96014	
25	Vinyl Tubing with Snubber and Fittings for Back Pressure	96015	96015	96015	96015	96015	96015	96015	96015	96015	
26	Air Flow Switch with Mounting Screws	Natural	96016	96016	96016	96016	96016	96016	96016	96016	
		Propane	96161	96161	96161	96161	96161	96161	96161	96161	N/A
27	Blower Assembly (includes blower and motor)	96018	96018	96018	96018	96018	96018	96018	96018	96018	
28	Cover with Screws	96030	96030	96030	96030	96030	96030	96030	96030	96030	
29	Inlet Air Collar	96019	96019	96019	96019	96019	96019	96019	96019	96019	
30	Air Control Plate	Natural	96020 1.625"	96020 1.625"	96020 1.625"	96020 1.625"	96020 1.625"	96020 1.625"	96020 1.625"	96020 1.625"	96021 1.875"
		Propane	96020 1.625"	96020 1.625"	96020 1.625"	96022 1.938"	96022 1.938"	96022 1.938"	96023 2.188"	96023 2.188"	N/A
31	Burner Support Bracket with Screws	96024	96024	96024	96024	96024	96024	96024	96024	96024	
32	Tube Holding Bracket with Screws	96025	96025	96025	96025	96025	96025	96025	96025	96025	
33	Power Cord, 36"	96026	96026	96026	96026	96026	96026	96026	96026	96026	
34	Burner Core	96029	96029	96029	96029	96029	96029	96028	96028	96028	
35	System Monitoring Light	96027	96027	96027	96027	96027	96027	96027	96027	96027	



# Model RTN/RTL — Low-Intensity Tubular Infrared

## Options and Replacement Parts (Order by Part No.)

	PART NO.	CONSISTING OF
 <p><b>90° (HEAT EXCHANGER) ELBOW</b> (Same as Option UC-1)</p>	95971	90° ELBOW 4" O.D., 8" RADIUS 16 GA. GALV. STEEL TUBE CLAMP ASSEMBLY TURNBUCKLE LEVELER WITH ONE "S" HOOK
<p><b>INLET AIR TERMINAL CAP WITH FLEX DUCT</b></p>  <p>(Same as Option UG-1)</p>	95979	INLET AIR TERMINAL CAP FLEX DUCT WITH CLAMPS INLET AIR SLEEVE
 <p><b>INDOOR VENT ELBOW <u>MUST</u> POINT DOWN</b> (Same as Option UD-1)</p>	95977	90° VENT CAP ASSEMBLY (FOR UNVENTED OPERATION ONLY)
<p><b>HORIZONTALLY TERMINATED VENT ASSEMBLY</b></p> 	95982	4" TERMINATION FITTING 4" LOCKING COLLAR VENT CAP BRACE (Same as Option UD-2)
	95986	5" TERMINATION FITTING 5" LOCKING COLLAR VENT CAP BRACE (Same as Option UD-3)
 <p><b>VENT CAP</b></p>	95989	4" I.D. VENT CAP (Same as Option UD-4)
	95991	5" I.D. VENT CAP (Same as Option UD-5)
<p><b>CHAIN</b> (Same as Option UE-1)</p>	95995	50' 200 LB. CHAIN WITH 14 "S" HOOKS
<p><b>STAINLESS FLEX GAS CONNECTOR</b> (Same as Option UF-2)</p>	96000	24" STAINLESS GAS CONNECTOR — 7/8" O.D. WITH 1/2" GAS COCK WITH PRESSURE TAP
<p><b>U-BEND ASSEMBLY</b> (Same as Option UB-1 on Size 20 Models)</p>	95951	U-BEND HEAT EXCHANGER TUBE TUBE CLAMP ASSEMBLY TURNBUCKLE LEVELERS WITH "S" HOOKS U-BEND REFLECTOR ANGLE BRACKET ASSEMBLIES CONDUIT CLAMPS
<p><b>U-BEND ASSEMBLY</b> (Same as Option UB-2 on Size 40 Models)</p>	95953	
<p><b>THERMOSTAT</b> 120/24V 50°-90° F) (Same as Option CL-34)</p>	110252	