



325 COMMERCE DRIVE
 MT VERNON, OH 43050
 800-253-8236

SPECIFICATION DATA SHEET

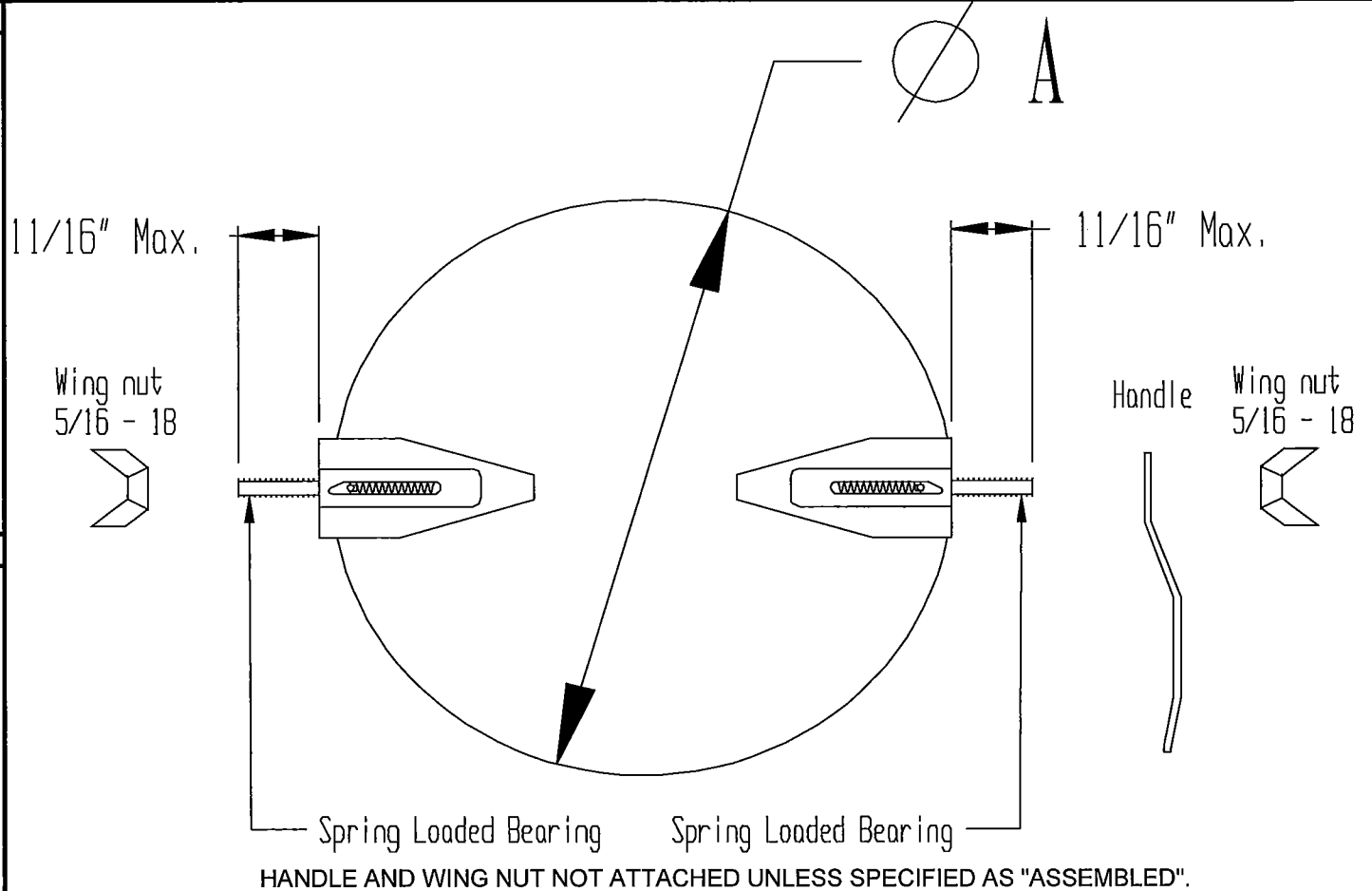
DATE: 5-6-11
 PREPARED BY: EB

MODEL NO. 019
ROUND VOLUME DAMPER

2 WINGNUT MODEL

DIMENSIONS

SIZE	A	GAUGES AVAILABLE
6"	5 3/4"	26
8"	7 3/4"	26
10"	9 3/4"	26
12"	11 3/4"	26
14"	13 3/4"	24
16"	15 3/4"	24



MATERIAL SPECIFICATIONS

DISC IS HOT DIPPED GALVANIZED STEEL.
 PER ASTM A 653 CSB.

HEAVIER GAUGES AVAILABLE

HANDLE = 18 GAUGE

WINGNUT = 5/16-18, ZINC PLATED STEEL

OPTIONS

CAN BE ORDERED ASSEMBLED OR UNASSEMBLED.

JOB: _____
 LOCATION: _____
 CONTRACTOR: _____
 ENGINEER: _____
 NOTES: _____