



NEW! INDOOR UNIT



Note: There are multiple control options designed to address individual climate conditions. Please consult your local installer for the best installation controls for your climate.

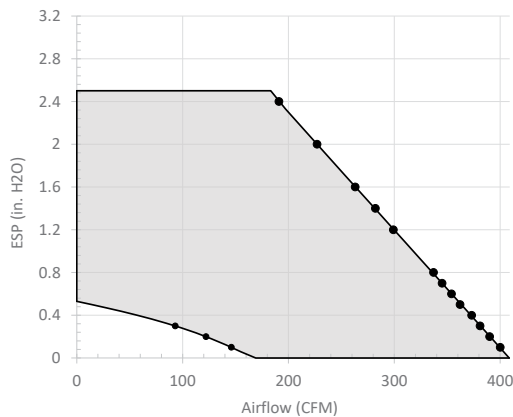
ENERGY RECOVERY VENTILATOR EC MOTOR



SPECIFICATIONS

Ventilation Type: Static plate, heat and humidity transfer	Units Per Pallet: 4
Typical Airflow Range: 100–390 CFM	Motor(s): Qty. 2, 120V EC motorized impellers
Unit is HVI Tested/Certified per CSA C439 Protocol: Using one L-100-G5 Core	Accessories: Backdraft damper: 8" Automatic balancing damper: 4", 5", 6" Motorized Dampers: 8" Louvered wall vent 8": taupe vinyl, galvanized, paintable galvaneal Louvered wall vent with 8" round duct connection: 12" W x 8" H Hooded wall vent 8": galvanized, paintable galvaneal Digital time clock: wall mount (TC7D-W), in exterior enclosure (TC7D-E) Carbon dioxide sensor/control: wall mount (CO2-W), duct mount (CO2-D) IAQ sensor: wall mount (IAQ-W), duct mount (IAQ-D) Motion occupancy sensor/control: ceiling mount (MC-C), wall mount (MC-W) Push-button boost timer (PBT) Percentage timer control (PTL) Percentage timer control with furnace interlock (FM) Push-button point-of-use controls (PBL), PTL req'd. MERV 13 filter: OA airstream (shipped loose) Electric duct heater: RH series (1–11.5 kW); designed for indoor ductwork installation only
Standard Features: White painted cabinet Line-cord power supply or hard wired to junction box (H) Low-voltage circuit for controls Unit may be mounted in any orientation Cross-core differential pressure ports Dial-A-Flow: balance and airflow adjustment Variable speed Boost-mode	
Controls: Onboard digital controller with independent variable speeds	
Filters: Total qty. 2, MERV 8, spun-polyester media: 10 1/2" x 21 3/4" x 1"	
Unit Weight: 65 lbs.	
Max. Shipping Dimensions & Weight (in carton): 33" L x 24" W x 29" H 72 lbs.	

EC MOTOR OPERATING RANGE AND CORE PERFORMANCE



● = Actual tested sample points

| = Operating curves, airflow is held constant as static pressure varies

Factory settings

1. High speed set to top curve
2. Low speed set to ~90CFM at 0.4 in. w.g. ESP

Airflow (CFM)	External Static Pressure (Inches Water Column)	Unit Power Consumption (Watts)	Sensible EFF%	Total EFF% Winter/Summer
Max. Speed				
400	0.10	339	64	55/38
390	0.20	338	64	56/39
381	0.30	340	65	57/40
373	0.40	337	65	57/40
362	0.50	337	66	58/41
354	0.60	337	66	59/42
345	0.70	337	67	59/43
337	0.80	336	68	60/44
318	1.00	337	69	61/46
299	1.20	336	70	63/47
282	1.40	336	71	64/49
263	1.60	344	72	66/51
227	2.00	349	74	68/54
191	2.40	359	77	71/57
Min. Speed				
146	0.10	41	80	75/62
122	0.20	37	81	77/64
93	0.30	32	83	79/66

Notes:

1. Watts is for the entire unit.
2. Airflow performance includes effect of clean, standard filter supplied with unit.
3. Refer to CORES for specific operating point electrical data.
4. These are core-only ratings and are not HVI certified. Total EFF% calculated at 35/33wb OA and 70/58wb RA (winter) and 95/78wb OA and 75/63wb RA (summer). HVI ratings apply to complete units only. This unit is HVI certified. See HVI certified ratings on pg. 47 of Single/Multi-Family Catalog and at hvi.org.

AUGMENTED REALITY (AR)

Scan QR code to see life size version of EV Premium X, or view here: <https://AR.Marketscale.com/EVPremiumX>

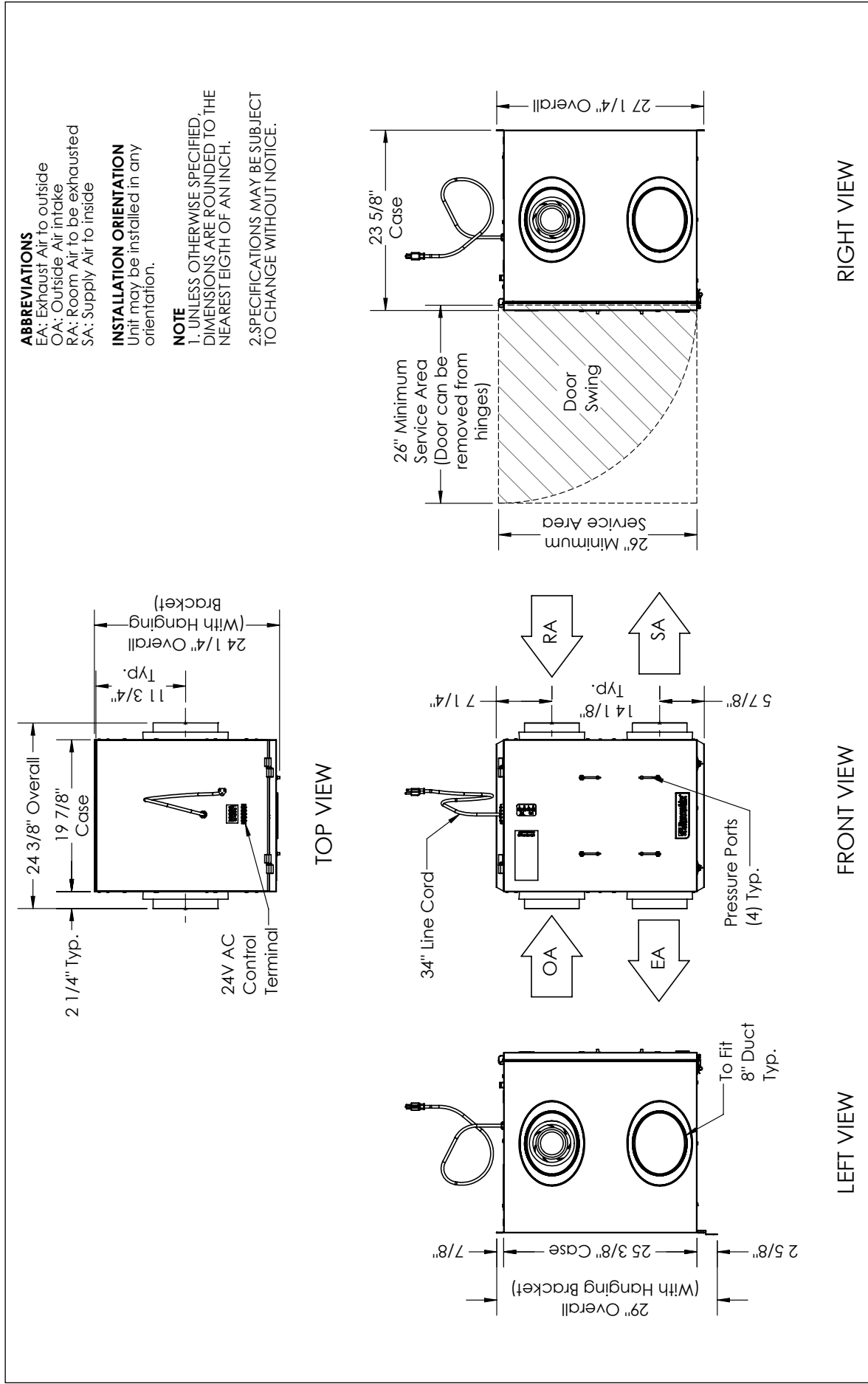


ELECTRICAL DATA

Watts	Volts	Hz	Phase	FLA per motor	Minimum Circuit Amps	Max Overcurrent Protection Device
220	120	60	1	2.7	15	15



EV PREMIUM X ENERGY RECOVERY VENTILATOR EC MOTOR



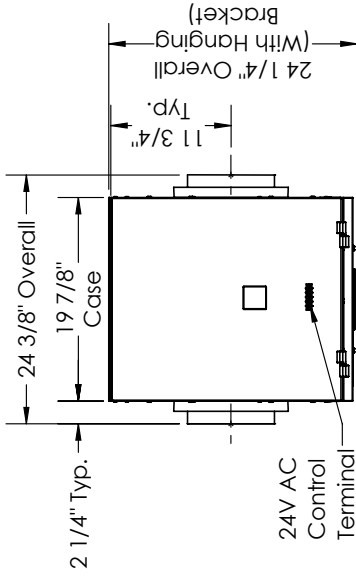
UNIT MOUNTING & APPLICATION
 Can be mounted in any orientation. RA/EA airstream can be switched with OA/SA airstream.



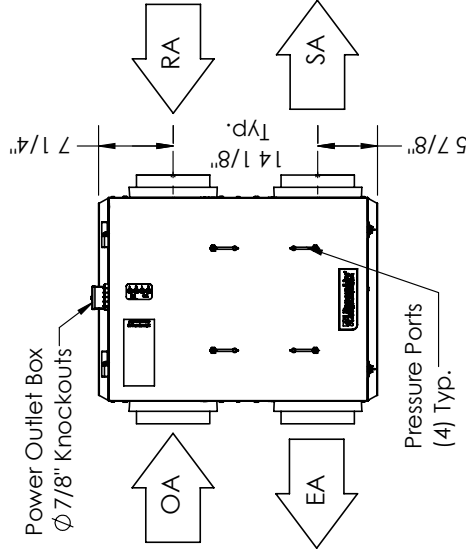
AIRFLOW ORIENTATION
 Available as shown in dimension drawing.



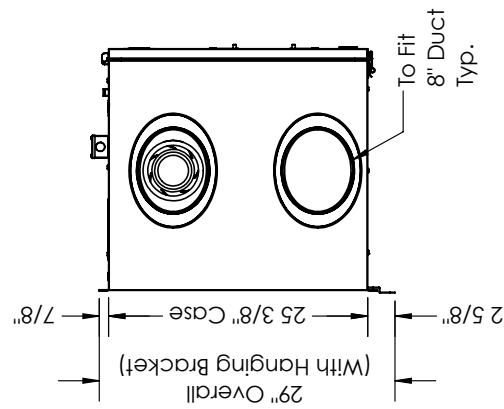
EV PREMIUM XH ENERGY RECOVERY VENTILATOR EC MOTOR



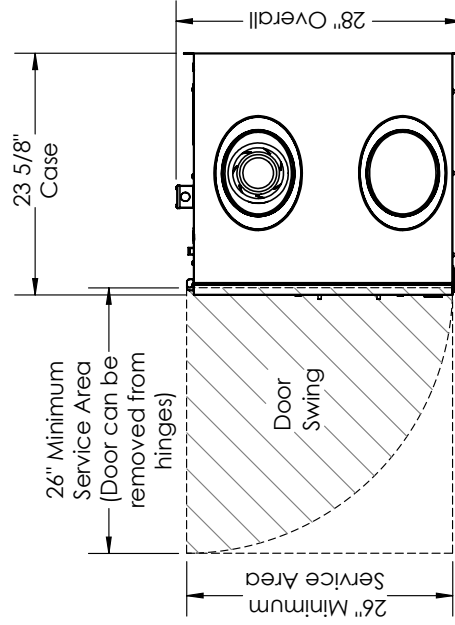
TOP VIEW



FRONT VIEW



LEFT VIEW



RIGHT VIEW

ABBREVIATIONS

- EA: Exhaust Air to outside
- OA: Outside Air intake
- RA: Room Air to be exhausted
- SA: Supply Air to inside

INSTALLATION ORIENTATION

Unit may be installed in any orientation.

NOTE

1. UNLESS OTHERWISE SPECIFIED, DIMENSIONS ARE ROUNDED TO THE NEAREST EIGHTH OF AN INCH.
2. SPECIFICATIONS MAY BE SUBJECT TO CHANGE WITHOUT NOTICE.

AIRFLOW ORIENTATION
Available as shown in dimension drawing.



UNIT MOUNTING & APPLICATION
Can be mounted in any orientation. RA/EA airstream can be switched with OA/SA airstream.