

The Unico System[®]

Small-Duct Central Heating & Air Conditioning

Product Catalog⁺
2016



The Unico System®

Comfort & Efficiency Fit For Your Home

OTHER HVAC COMPANIES REALLY DON'T WANT YOU TO CUT OUT THIS OUTLET.

That's because when you place it on your floor, ceiling, or wall, you will begin to understand the simplicity of adding Unico System air conditioning to your home. In addition to outlets that are barely noticeable, the Unico System's air handlers and flexible supply tubing fit simply above ceilings and below floors, which means no ugly soffits, no noisy registers, and virtually no need for remodeling in homes without ductwork. You will enjoy the efficient, comfortable surroundings found only with the industry-leading Unico System.

To find a Unico System installing contractor in your area, visit unicosystem.com/contractor or call (800) 527-0896



(Actual Size)

Table of Contents

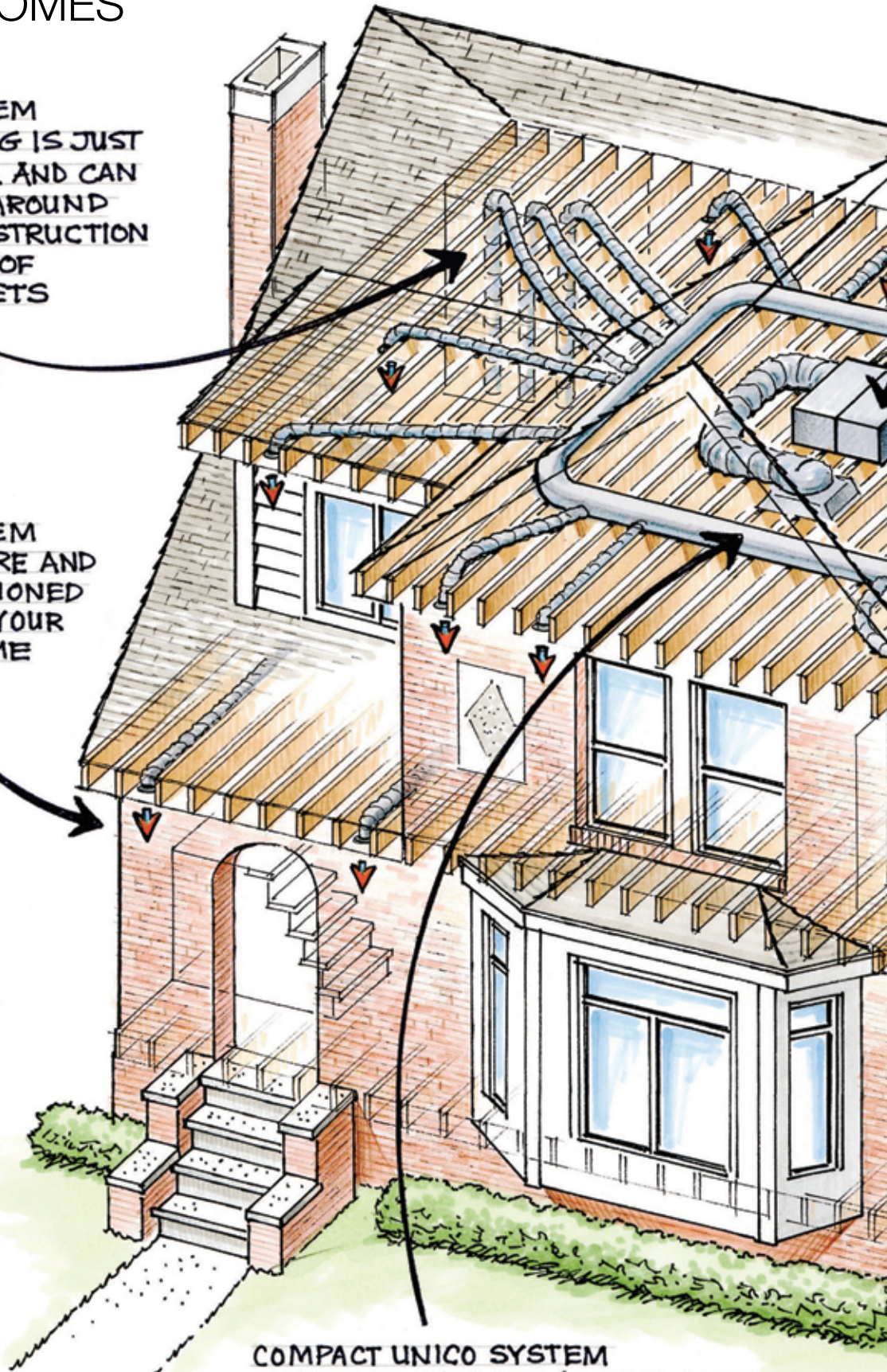
How To Apply the Unico System – Traditional Homes	2
How To Apply the Unico System – Custom Homes	4
Typical System Sheets.....	6
How To Choose A Unico System.....	11
1218.....	12
2430.....	14
3036.....	16
3642.....	18
4860.....	20
Installation Guide	22
iSeries	24
EC Blowers	26
Standard Blowers.....	28
Heat Pump Coils	30
Chilled Water Coils	32
Hot Water Coils	34
EC Upgrade Kits.....	36
Drain Pans.....	38
Return Air Modules.....	40
Vertical Units.....	42
Return Air Grills and Filters.....	44
Return Air Ducts	46
Return Air Adapters	48
Filters	50
Slotted Outlets.....	52
Round Outlets	54
Fiberglass Ducts.....	58
Metal Ducts	60
Supply Tubing.....	62
Single Outlet Kits	64
Install Kits	66
Electric Furnaces	68
Thermostats	70
Miscellaneous Parts.....	72
Warranty Policy and Company Policy.....	74
Notes	76

HOW TO APPLY THE UNICO SYSTEM

TRADITIONAL HOMES

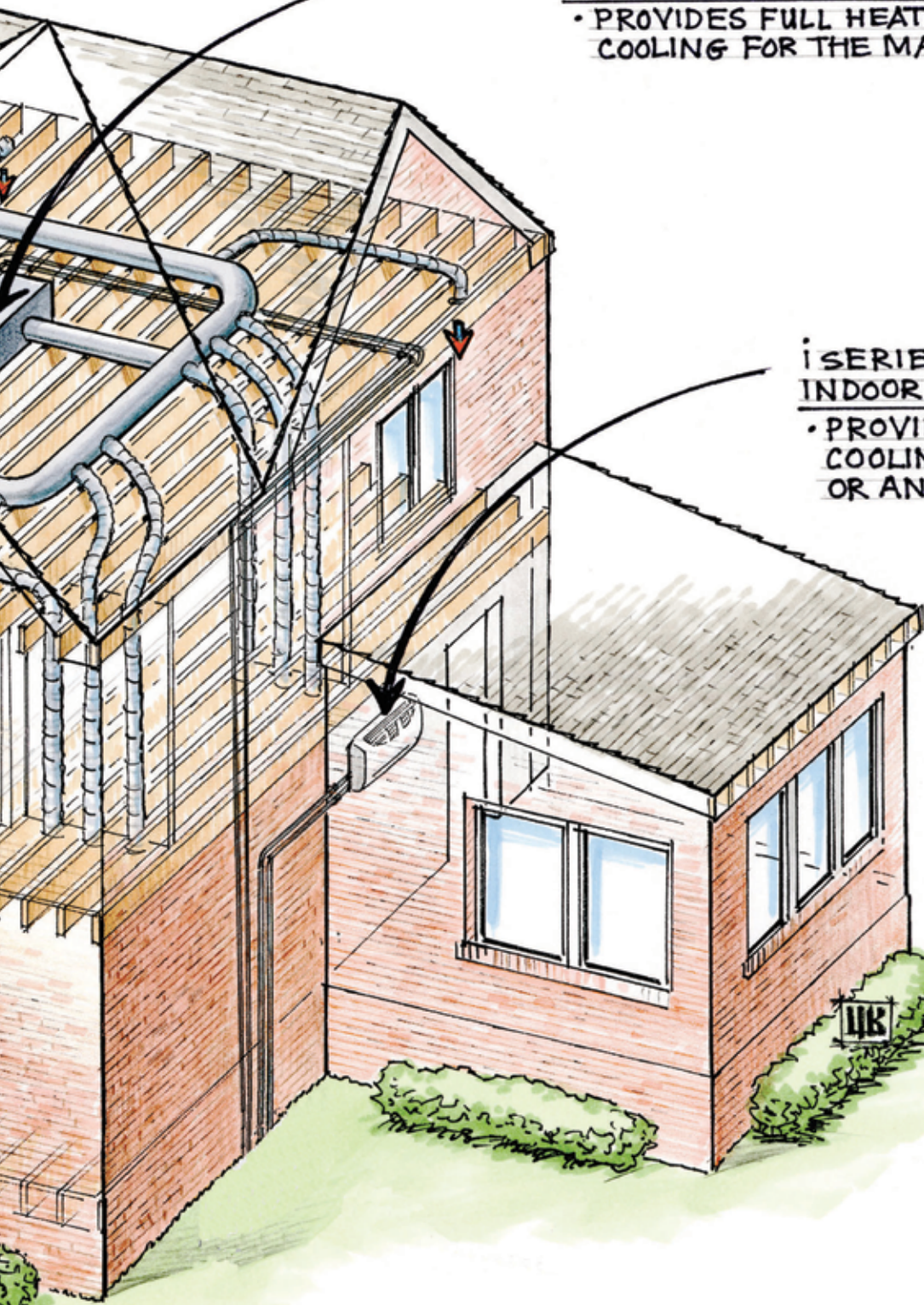
UNICO SYSTEM
SUPPLY TUBING IS JUST
3½" IN DIAMETER AND CAN
SNAKE IN AND AROUND
EXISTING CONSTRUCTION
OR THE BACK OF
THE CLOSETS

UNICO SYSTEM
FITS ANYWHERE AND
BRINGS CONDITIONED
COMFORT TO YOUR
ENTIRE HOME



COMPACT UNICO SYSTEM
MAIN PLENUM IS 1/3 THE SIZE
OF CONVENTIONAL DUCTING —
JUST 7", 9" OR 10" IN DIAMETER

**iSERIES
UNICO SYSTEM AIR HANDLER**
• PROVIDES FULL HEATING AND
COOLING FOR THE MAIN HOUSE



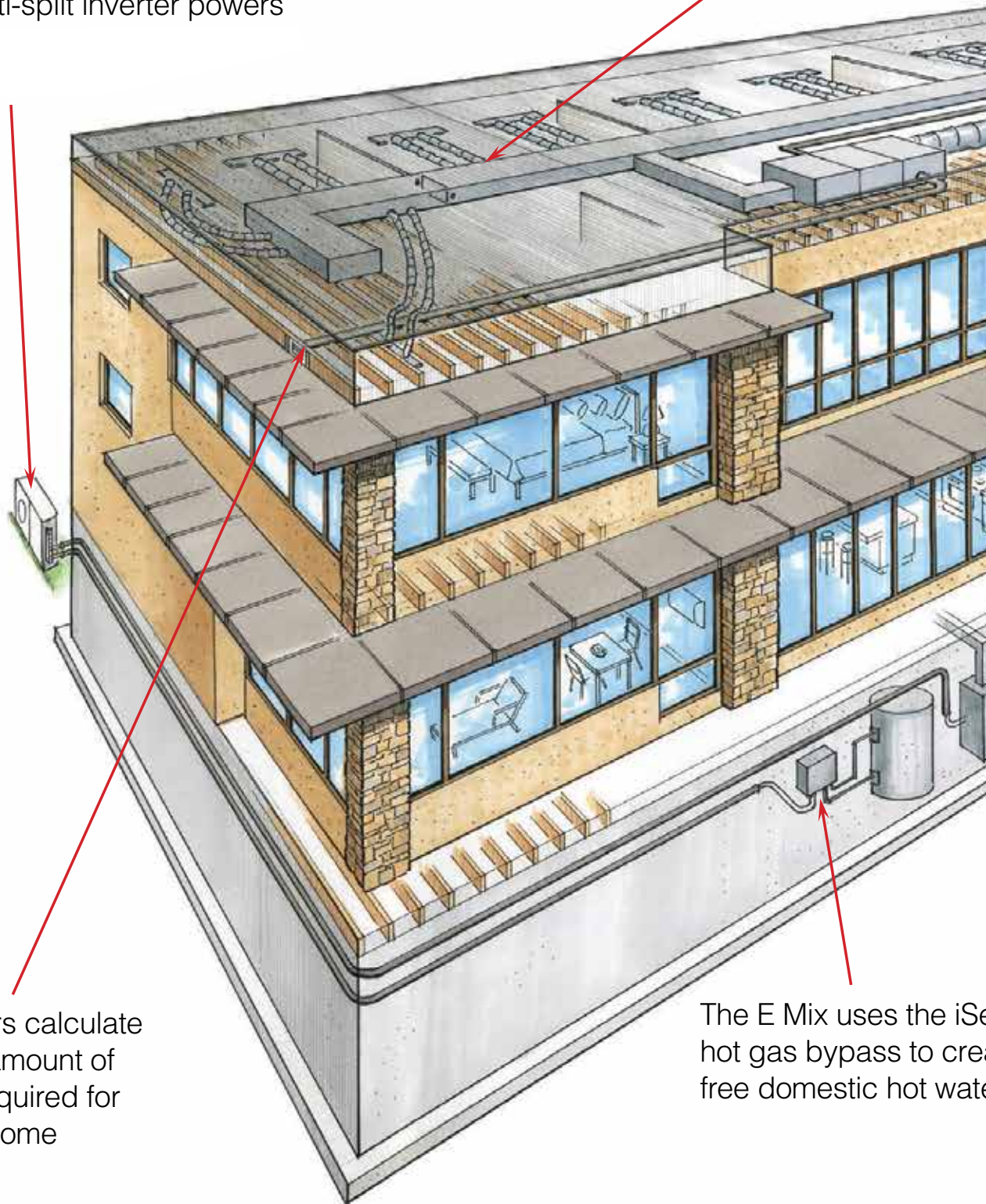
**iSERIES
INDOOR WALL SPLIT**
• PROVIDES HEATING AND
COOLING FOR THIS ADDITION
OR ANY UNIQUE ZONE

HOW TO APPLY THE UNICO SYSTEM

CUSTOM HOMES

The iSeries outdoor multi-split inverter powers

Our UniZone delivers perfect temperature everywhere

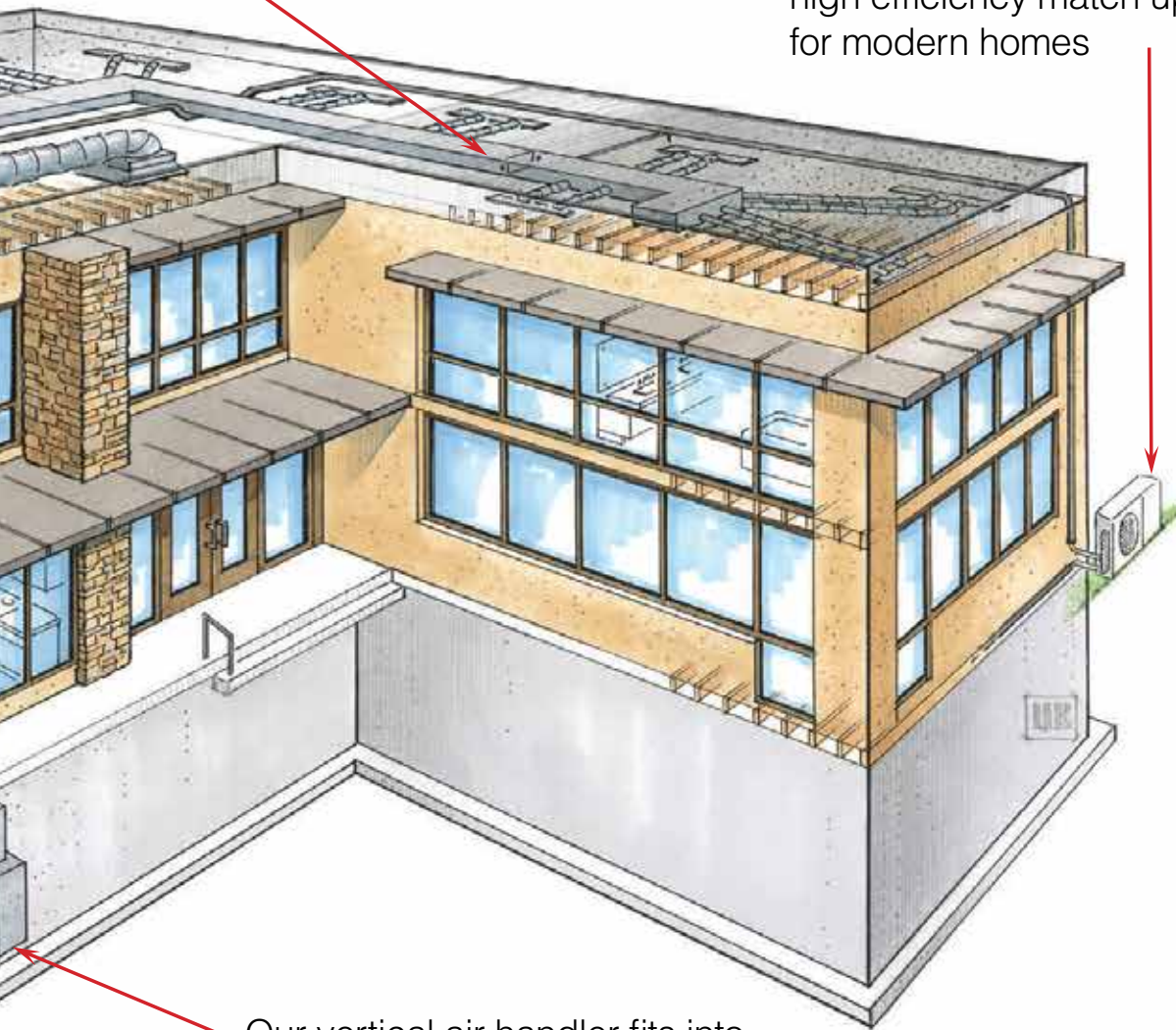


Our blowers calculate the exact amount of fresh air required for your new home

The E Mix uses the iSeries hot gas bypass to create free domestic hot water

dampers mean
ature control

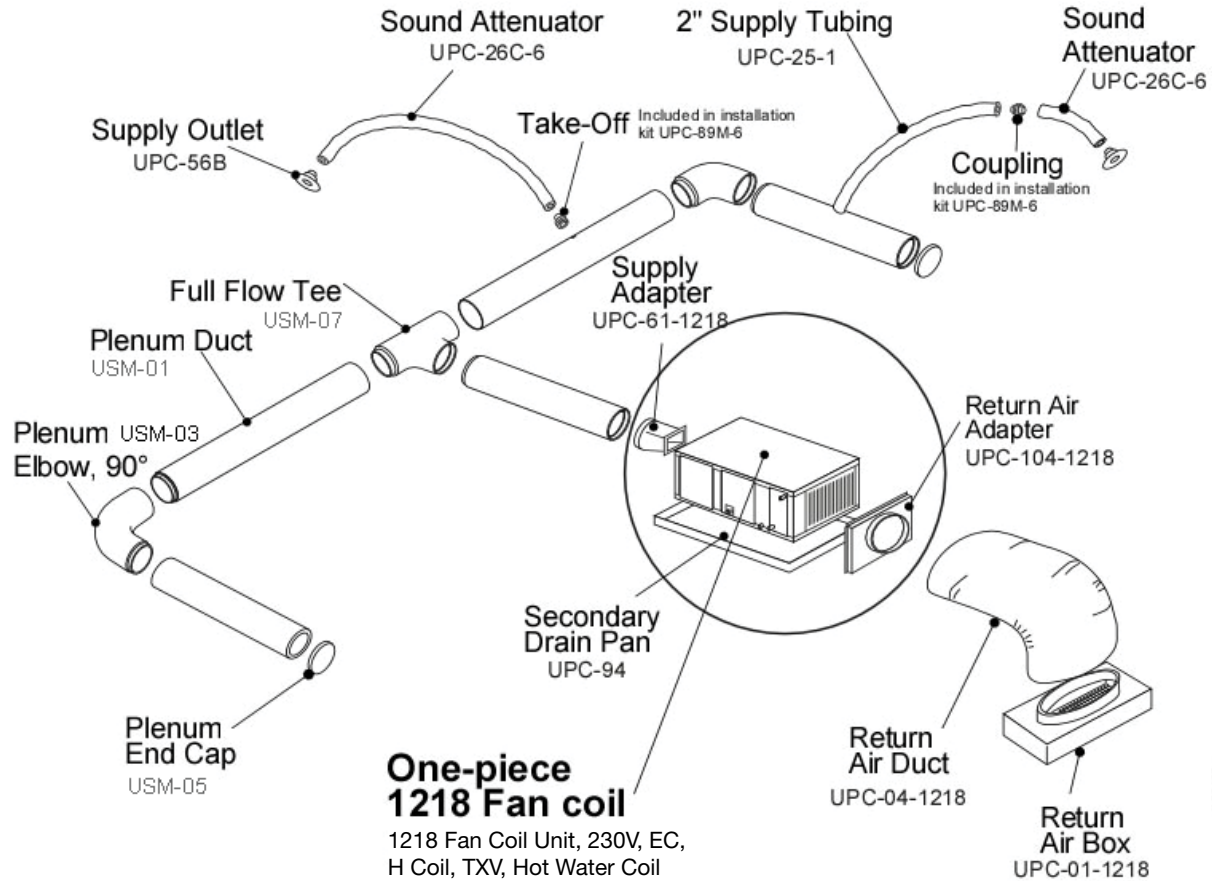
iSeries outdoor unit is a
high efficiency match up
for modern homes



Our vertical air handler fits into
a 24" by 24" space, perfect for
a tight mechanical room

eries
ate
er

TYPICAL SYSTEM SHEETS



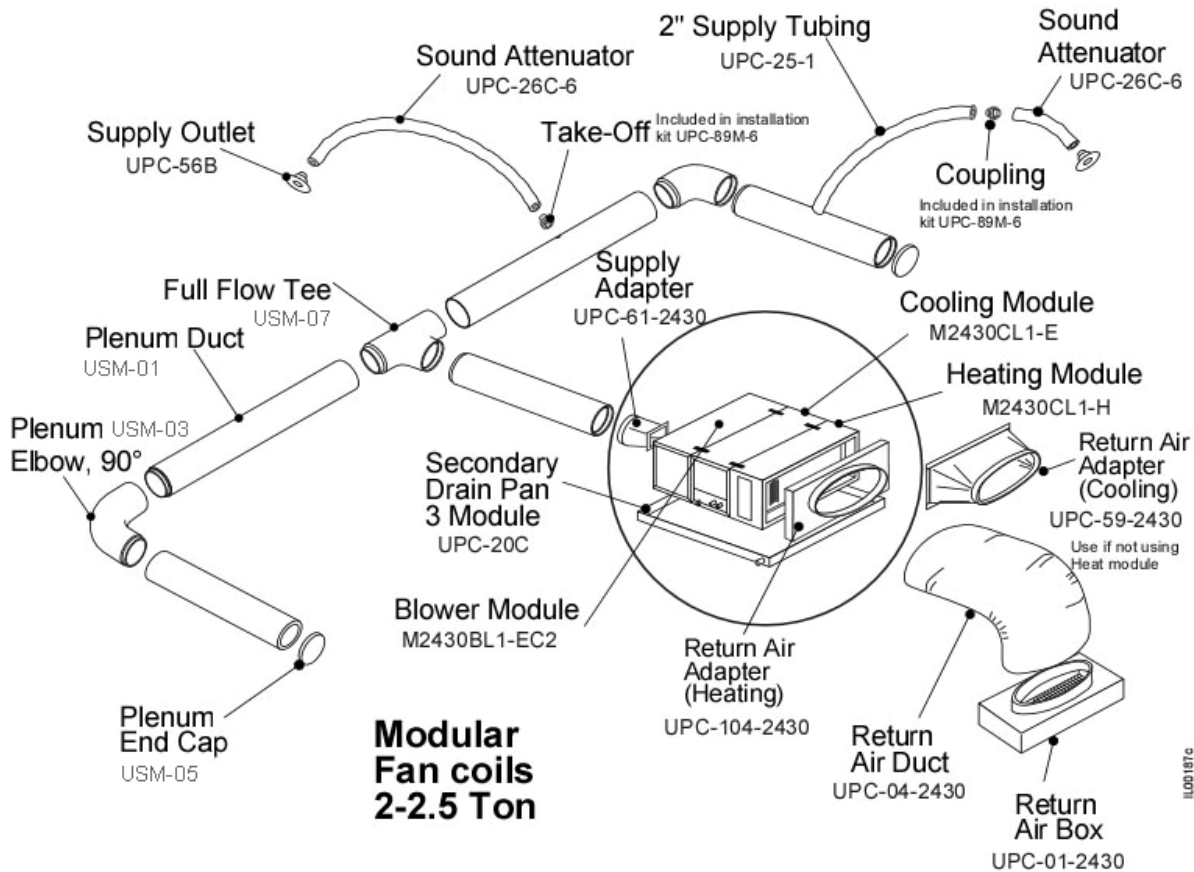
1 Ton Estimated Material List

Each material list assumes the minimum of six 12' runs per ton.

QTY	Part #	Description	List Price
1	U1218L-1EC2EH	1218 Fan Coil Unit, 230V, EC, H Coil, TXV, Hot Water Coil	\$3,024
1	UPC-61-1218	Adapter, Supply, M1218	\$42
1	UPC-94	Drain Pan, Secondary, M1218	\$111
1	UPC-104-1218	Adapter, Return Air, M1218	\$101
1	UPC-04-1218	Return Air Duct, 12" x 10'L	\$138
1	UPC-01-1218	Filter, Grille/Return Box, 14x20	\$200
1	UPC-89M-6	Install Kit, Metal Plenum 2"	\$258
1	UPC-26C-6	Sound Attenuator, 2"x12' (6PCS)(72 Ft Total)	\$323

1.5 Ton Estimated Material List

QTY	Part #	Description	List Price
1	U1218L-1EC2EH	1218 Fan Coil Unit, 230V, EC, H Coil, TXV, Hot Water Coil	\$3,024
1	UPC-61-1218	Adapter, Supply, M1218	\$42
1	UPC-94	Drain Pan, Secondary, M1218	\$111
1	UPC-104-1218	Adapter, Return Air, M1218	\$101
1	UPC-04-1218	Return Air Duct, 12" x 10'L	\$138
1	UPC-01-1218	Filter, Grille/Return Box, 14x20	\$200
1	UPC-89M-6	Install Kit, Metal Plenum 2"	\$258
3	UPC-80M-1	Outlet Kit, Single outlet kit with 12' section of Sound Attenuator	\$111
1	UPC-26C-6	Sound Attenuator, 2"x12' (6PCS)(72 Ft Total)	\$323



2 Ton Estimated Material List

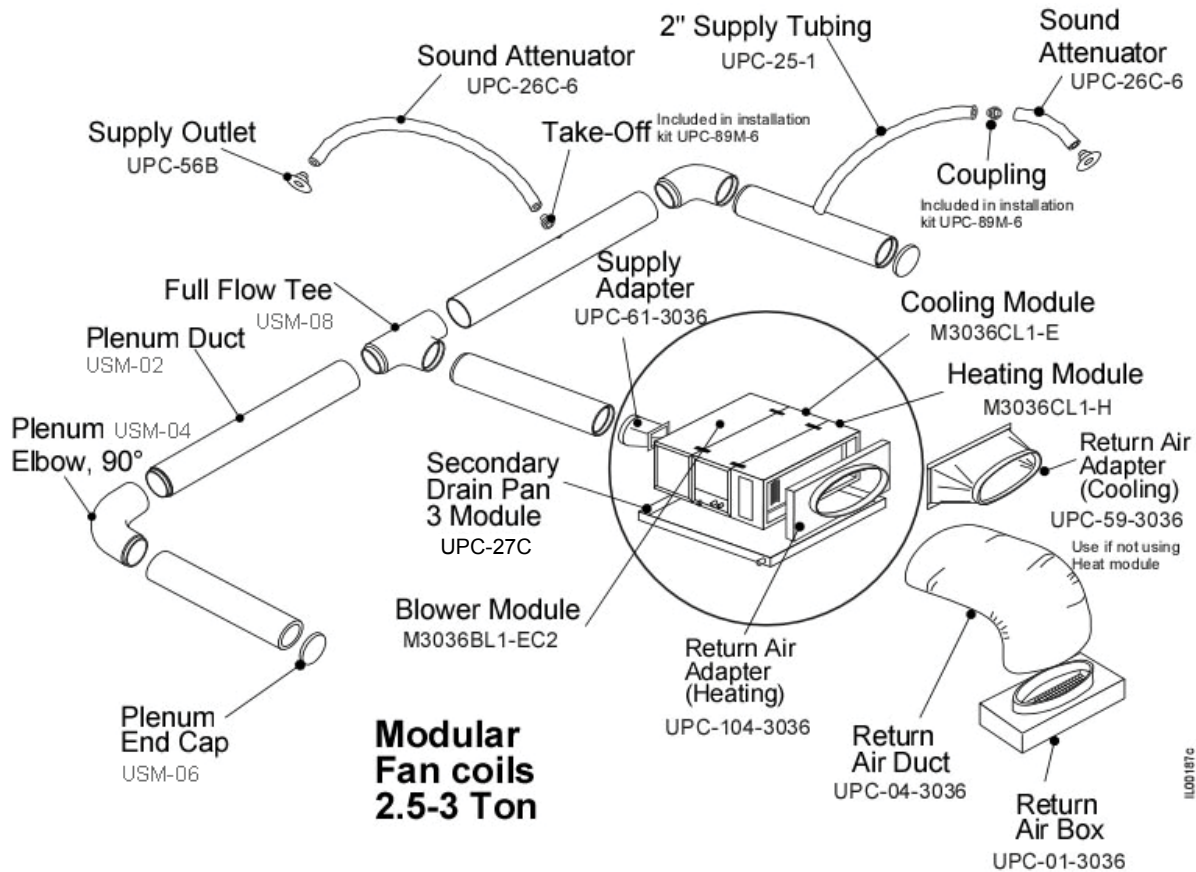
Each material list assumes the minimum of six 12' runs per ton.

QTY	Part #	Description	List Price
1	M2430BL1-EC2	Blower Module, EC Motor, 230V	\$1,788
1	M2430CL1-E	Module, H-coil, R-410A TXV, 2.5T Refrigerant Coil (6 Row) (HP)	\$1,511
1	M2430CL1-H	Module, Coil, Hot water, 2.5T (was MH2430HW)	\$935
1	UPC-61-2430	Adapter, Supply, 2430	\$42
1	UPC-20C	Drain Pan, Secondary, 3 Module, 2430	\$123
1	UPC-104-2430	Adapter, Return Air, Heat or Vertical Module 2430	\$172
1	UPC-04-2430	Return Air Duct, 14" x 10'L	\$170
1	UPC-01-2430	Filter, Grille/Return Box, 14" x 25"	\$215
2	UPC-89M-6	Install Kit, Metal Plenum 2"	\$258
2	UPC-26C-6	Sound Attenuator, 2"x12' (6PCS)(72 Ft Total)	\$323

2.5 Ton Estimated Material List using 2430

QTY	Part #	Description	List Price
1	M2430BL1-EC2	Blower Module, EC Motor, 230V	\$1,788
1	M2430CL1-E	Module, H-coil, R-410A TXV, 2.5T Refrigerant Coil (6 Row) (HP)	\$1,511
1	M2430CL1-H	Module, Coil, Hot water, 2.5T (was MH2430HW)	\$935
1	UPC-61-2430	Adapter, Supply, 2430	\$42
1	UPC-20C	Drain Pan, Secondary, 3 Module, 2430	\$123
1	UPC-104-2430	Adapter, Return Air, Heat or Vertical Module 2430	\$172
1	UPC-04-2430	Return Air Duct, 14" x 10'L	\$170
1	UPC-01-2430	Filter, Grille/Return Box, 14" x 25"	\$215
2	UPC-89M-6	Install Kit, Metal Plenum 2"	\$258
3	UPC-80M-1	Outlet Kit, Single outlet kit with 12' section of Sound Attenuator	\$111
2	UPC-26C-6	Sound Attenuator, 2"x12' (6PCS)(72 Ft Total)	\$323

TYPICAL SYSTEM SHEETS



Modular Fan coils 2.5-3 Ton

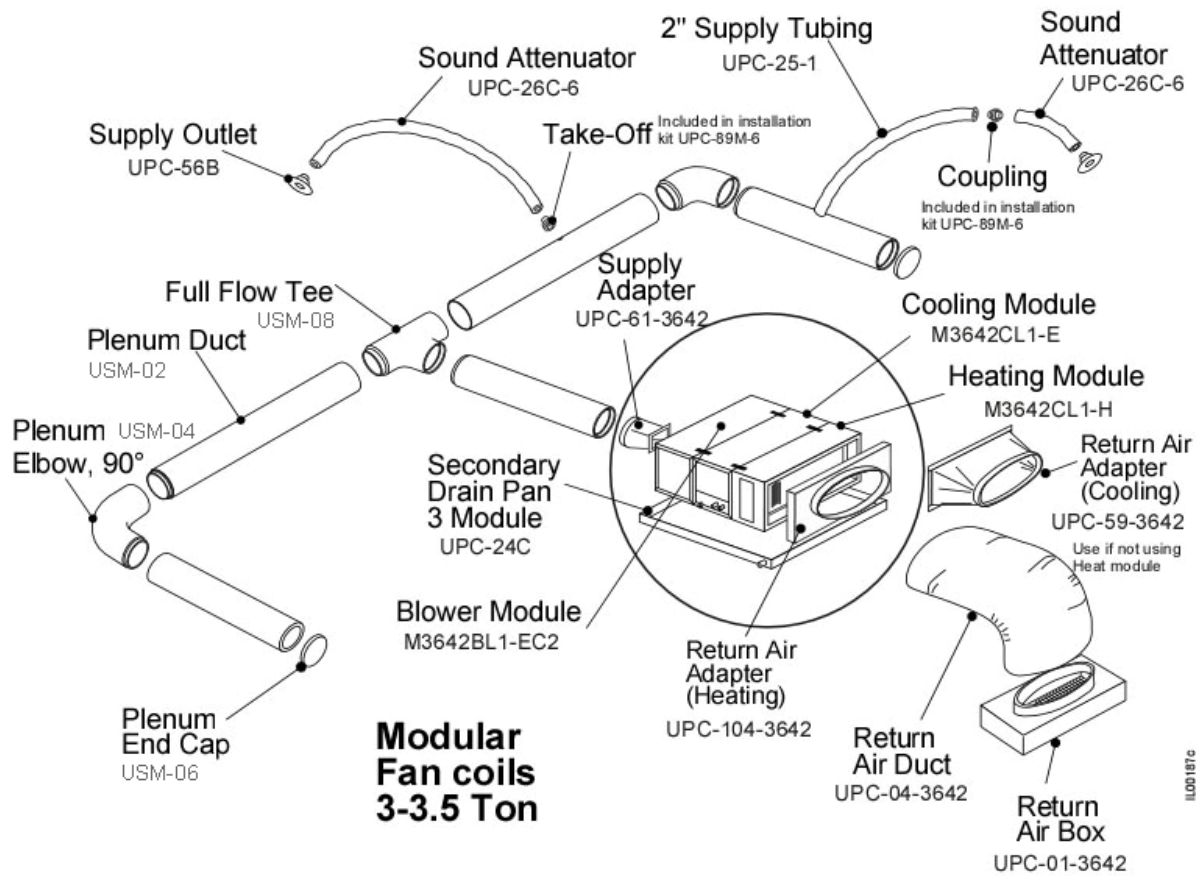
2.5 Ton Estimated Material List using 3036

Each material list assumes the minimum of six 12' runs per ton.

QTY	Part #	Description	List Price
1	M3036BL1-EC2	Blower Module, EC Motor, 230V	\$1,945
1	M3036CL1-E	Module, Refrigerant Coil (6 Row) (HP)	\$1,800
1	M3036CL1-H	Module, Coil, Hot water, 2.5-3.0T	\$1,170
1	UPC-61-3036	Adapter, Supply, 3036	\$45
1	UPC-27C	Drain Pan, Secondary, 3 Module, 3036	\$138
1	UPC-104-3036	Adapter, Return Air, Heat or Vertical Module 3036	\$196
1	UPC-04-3036	Return Air Duct, 16" x 10'L	\$243
1	UPC-01-3036	Filter, Grille/Return Box, 14" x 30"	\$248
2	UPC-89M-6	Install Kit, Metal Plenum 2"	\$258
3	UPC-80M-1	Outlet Kit, Single outlet kit with 12' section of Sound Attenuator	\$111
2	UPC-26C-6	Sound Attenuator, 2"x12' (6PCS)(72 Ft Total)	\$323

3 Ton Estimated Material List using 3036

QTY	Part #	Description	List Price
1	M3036BL1-EC2	Blower Module, EC Motor, 230V	\$1,945
1	M3036CL1-E	Module, Refrigerant Coil (6 Row) (HP)	\$1,800
1	M3036CL1-H	Module, Coil, Hot water, 2.5-3.0T	\$1,170
1	UPC-61-3036	Adapter, Supply, 3036	\$45
1	UPC-27C	Drain Pan, Secondary, 3 Module, 3036	\$138
1	UPC-104-3036	Adapter, Return Air, Heat or Vertical Module 3036	\$196
1	UPC-04-3036	Return Air Duct, 16" x 10'L	\$243
1	UPC-01-3036	Filter, Grille/Return Box, 14" x 30"	\$248
3	UPC-89M-6	Install Kit, Metal Plenum 2"	\$258
3	UPC-26C-6	Sound Attenuator, 2"x12' (6PCS)(72 Ft Total)	\$323



ILL011916

3 Ton Estimated Material List using 3642

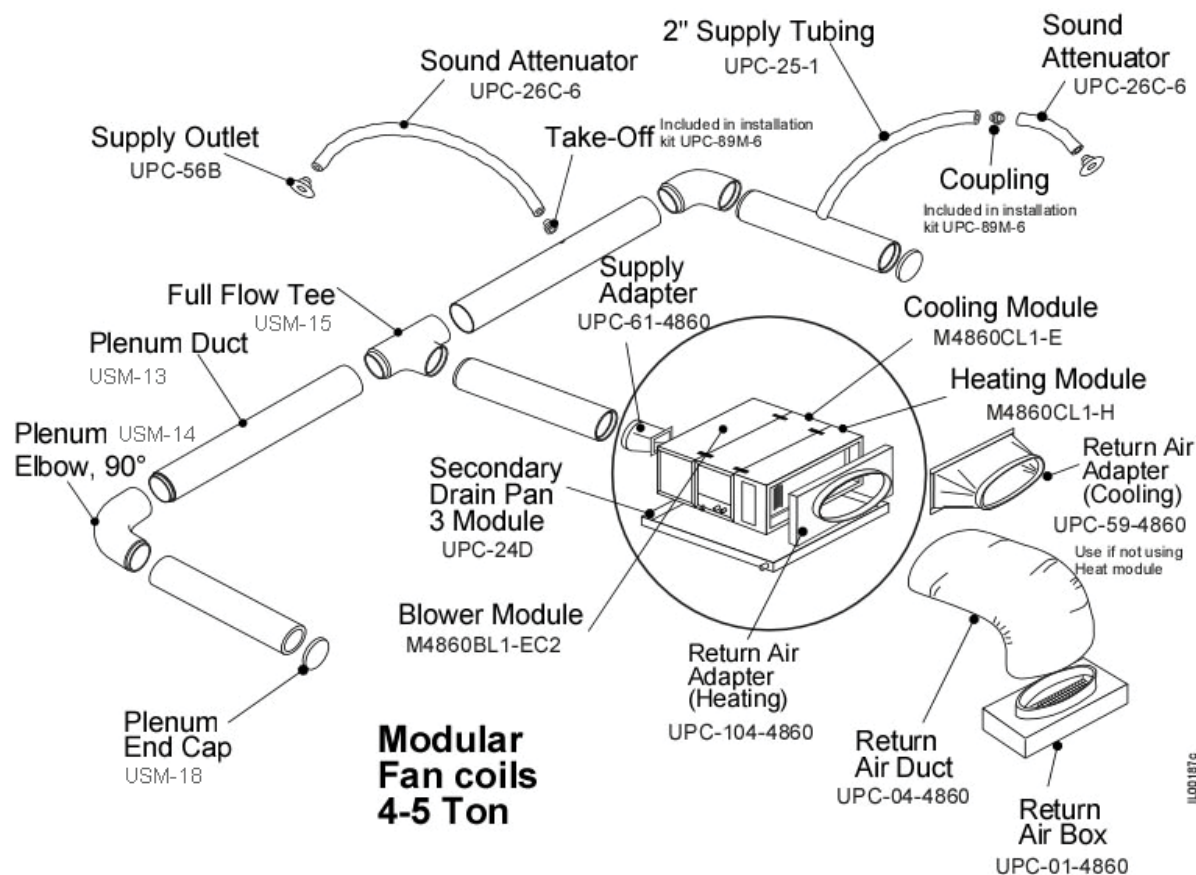
Each material list assumes the minimum of six 12' runs per ton.

QTY	Part #	Description	List Price
1	M3642BL1-EC2	Blower Module, EC Motor, 230V	\$2,014
1	M3642CL1-E	Module, Refrigerant Coil (6 Row) (HP)	\$1,873
1	M3642CL1-H	(Same As MH3660HW) Module, Heating (w/ Hot Water Coil)	\$1,298
1	UPC-61-3642	Adapter, Supply, 3642	\$45
1	UPC-24C	Drain Pan, Secondary, 3 Module, 3642	\$145
1	UPC-104-3642	Adapter, Return Air, Heat or Vertical Module 3642	\$210
1	UPC-04-3642	Return Air Duct, 18" x 10'L	\$243
1	UPC-01-3642	Filter, Grille/Return Box, 14" x 30"	\$248
3	UPC-89M-6	Install Kit, Metal Plenum 2"	\$258
3	UPC-26C-6	Sound Attenuator, 2"x12' (6PCS)(72 Ft Total)	\$323

3.5 Ton Estimated Material List

QTY	Part #	Description	List Price
1	M3642BL1-EC2	Blower Module, EC Motor, 230V	\$2,014
1	M3642CL1-E	Module, Refrigerant Coil (6 Row) (HP)	\$1,873
1	M3642CL1-H	(Same As MH3660HW) Module, HEATING (w/ Hot Water Coil)	\$1,298
1	UPC-61-3642	Adapter, Supply, 3642	\$45
1	UPC-24C	Drain Pan, Secondary, 3 Module, 3642	\$145
1	UPC-104-3642	Adapter, Return Air, Heat or Vertical Module 3642	\$210
1	UPC-04-3642	Return Air Duct, 18" x 10'L	\$243
1	UPC-01-3642	Filter, Grille/Return Box, 14" x 30"	\$248
3	UPC-89M-6	Install Kit, Metal Plenum 2"	\$258
3	UPC-80M-1	Outlet Kit, Single outlet kit with 12' section of Sound Attenuator	\$111
3	UPC-26C-6	Sound Attenuator, 2"x12' (6PCS)(72 Ft Total)	\$323

TYPICAL SYSTEM SHEETS



4 Ton Estimated Material List

Each material list assumes the minimum of six 12' runs per ton.

QTY	Part #	Description	List Price
1	M4860BL1-EC2	Blower Module, EC Motor, 230V	\$2,129
1	M4860CL1-E	Module, Refrigerant Coil (6 Row) (HP)	\$2,412
1	M4860CL1-H	(Same as MH3660HW) Module, Heating (w/ Hot Water Coil)	\$1,298
1	UPC-61-4860	Adapter, Supply, 4860	\$49
1	UPC-24D	Drain Pan, Secondary, 3 Module, 4860	\$161
1	UPC-104-4860	Adapter, Return Air, Heat or Vertical Module 4860	\$210
1	UPC-04-4860	Return Air Duct, 20" x 10'L	\$253
1	UPC-01-4860	Filter, Grille/Return Box, 24" x 30"	\$352
4	UPC-89M-6	Install Kit, Metal Plenum 2"	\$258
4	UPC-26C-6	Sound Attenuator, 2"x12' (6PCS)(72 Ft Total)	\$323

5 Ton Estimated Material List

QTY	Part #	Description	List Price
1	M4860BL1-EC2	Blower Module, EC Motor, 230V	\$2,129
1	M4860CL1-E	Module, Refrigerant Coil (6 Row) (HP)	\$2,412
1	M4860CL1-H	(Same as MH3660HW) Module, Heating (w/ Hot Water Coil)	\$1,298
1	UPC-61-4860	Adapter, Supply, 4860	\$49
1	UPC-24D	Drain Pan, Secondary, 3 Module, 4860	\$161
1	UPC-104-4860	Adapter, Return Air, Heat or Vertical Module 4860	\$210
1	UPC-04-4860	Return Air Duct, 20" x 10'L	\$253
1	UPC-01-4860	Filter, Grille/Return Box, 24" x 30"	\$352
5	UPC-89M-6	Install Kit, Metal Plenum 2"	\$258
5	UPC-26C-6	Sound Attenuator, 2"x12' (6PCS)(72 Ft Total)	\$323

Selection Guides for:

1218

2430

3036

3642

4860

HOW TO CHOOSE A UNICO SYSTEM

1218 Selection Guide Follow this simple 6 Step Guide to creating a Unico System

STEP ONE:

Choosing a Blower Type

3 Speed motor K3 HP 1700 RPM, 220V

EC Variable Speed Motor. Can be 110V or 220V, use "1" for 115v "2" for 220V

iSeries Motor Variable Speed Motor, 220V ONLY Compatible with the iSeries Outdoor Unit, designated "EA2"

STEP TWO:

Choosing a Coil Module

Coil Module

TXV Coil, Can be used with any heat pump or air-conditioning condensing unit:

Item Code "E"

Chilled Water Coil: Item Code "C"

Hot Water Coil : Item Code "H"

Example: If we want a single speed blower motor with only a TXV coil this would be code: U1218L-1 ST2EX (1 ST 2 is the Standard Blower, 220v) E is TXV Coil, X means only one coil

STEP THREE

Choosing Return Air Components

The majority of Unico System installations only require one (1) central return.

There are three components of the return air:

The Return Air Box and Filter

The Return Air Adapter

The Return Air Duct

UPC-01-1218 Return Air Box. The Return Air Box consists of a filter and box, with "Q" bands for easy installation

UPC-04-1218 Return Air Duct. This consists of ten foot long return air duct made out a sound attenuating material that is anywhere from 12 to 20 inches inside diameter

UPC-104-1218 Return Air Adapter for Cooling Module. This is rectangular to elliptical connector that is fastened to the cooling coil module with self-tapping metal screws (included with coil module)

UPC-105-1218 Return Air Adapter for Heating Module. This includes a filter grille, this piece latches to the return air side of the air handler

STEP FOUR:

Choosing Accessories

Secondary Drain Pan: Designed to catch an emergency overflow from the primary drain pan. A must if installing the air handler in a horizontal position: UPC94

Starting Collar: This piece is used to attach the plenum to the blower module of the air handler:

UPC61-1218 Round Duct

UPC62-1218 Square Duct

STEP FIVE:**Choosing Supply Air**

UPC80M-1: Metal Plenum Single Installation Kit
 This consists of one (1) twelve (12) foot length of the sound attenuating tubing and the following items required to make an installation of a single outlet:

- Standard White Plastic Outlet
- Coupling with gaskets and clamps
- Two clamps for sound attenuating tubing
- Two clamps for aluminum core tubing
- Toggles and screws
- Winter Supply Shut-off
- Balancing orifice kit
- Metal take-off with gaskets and tape ring
- Gasket for standard white plastic take-off

A MINIMUM OF SIX (6) outlets per ton are needed
 (Seven for the iSeries)

STEP SIX:**Choosing an outdoor unit to match your system**

IF USING THE TXV COIL (either for air-conditioning or heat pump), use any major third party equipment manufacturer. To check the ratings go to www.ahridirectory.org, then go to "Air-Conditioning" you can select your matchup by going to "Outside Unit" of your choice, then "Indoor Unit" of Unico. If there is no matchup, please call our customer service department at 1-800-527-0896 to check the specifications

IF USING THE iSERIES BY UNICO, you must select the proper matchup from Bulletin 30-127 page one. For example a U1218 is a "B" size and it can be used with the IS18, IS24, IS30 or IS36 as a single split.

EXAMPLE PARTS LIST

We have a customer who wants a one and one-half ton heat pump with a hot water coil. The air handler is installed horizontally, using the variable speed motor and no supply runs are more than twelve feet. Here would be a material list

IF Using a TXV Coil

1	U1218BL1-1EC1EH	Fan Coil Module with Variable speed motor, heat pump coil and hot water heating coil
1	UPC-01-1218	Return Air Box with filter and grille, 14" x 20"
1	UPC-104-1218	Return Air Adapter for 12" duct
1	UPC-04-1218	Return Air Duct, 12" D X 10 feet
1	UPC-94	Secondary Drain Pan
9	UPC-80M-1	Single Installation Kit, with tubing
1	ASX160181F	Amana One and One Half Ton Heat Pump*

iSeries by Unico

1	U1218BL1-1EA2AX	Fan Coil Module for iSeries with Heat Pump Coil
1	UPC-01-1218	Return Air Box with filter and grille, 14" x 20"
1	UPC-104-1218	Return Air Adapter for 12" duct
1	UPC-04-1218	Return Air Duct, 12" D X 10 feet
1	UPC-94	Secondary Drain Pan
9	UPC-80M-1	Single Installation Kit, with tubing
1	IS18G50	iSeries outdoor inverter Unit

Plus you will need all accessories as with any other A/C System such as Disconnect Box, Thermostat (if using the iSeries be sure to use a 2 stage heat pump thermostat), Tape, Line Set, Etc.

*Used for example only. Unico air handlers match up with the outdoor units of all manufacturers. Call Unico Customer Service for all match ups.

HOW TO CHOOSE A UNICO SYSTEM

2430 Selection Guide Follow this simple 7 Step Guide to creating a Unico System

STEP ONE:

Choosing a Blower Module

Choose one, all modules are compatible with any major condensing unit/heat pump manufacturer (except iSeries, which MUST be paired an iSeries outdoor unit)

- Single Speed Motor: M2430BL1-ST (Single Speed, 1750 RPM, PSC blower with rheostat)
- Variable Speed Motor: True variable speed EC motor, available in either 110V or 220V, can use default settings or be programmed with a laptop computer)
 - 110V M2430BL1-EC1
 - 220V M2430 BL1-EC2
- iSeries Motor: EC Motor designed to work with the iSeries inverter outdoor unit
M2430BL1-EA2



STEP TWO:

Choosing a Coil Module

Choose one, this is the cooling module, although it can be used for heating with the use of a heat pump compatible with any major condensing unit/heat pump manufacturer, except iSeries which MUST be paired with an iSeries outdoor unit

- Air Conditioning Coil 4-Row Deep: Uses externally balanced TXV, has two bi metal switches to prevent the evaporator coil from freezing and liquid refrigerant from slugging the compressor: M2430CL1-B
- Heat Pump Coil 6-Row Deep: Uses externally balanced TXV, has two bi metal switches to prevent the liquid refrigerant from slugging the compressor, has two additional rows as an accumulator to handle different charge in heating and cooling season: M2430CL1-E
- iSeries Coil Designed specifically for the iSeries outdoor unit, it uses flare fittings and does not have a TXV, and instead the EEV in the outdoor unit which is used to monitor the flow of refrigerant: M2430CL1-A



STEP THREE:

Choosing your return air components

The majority of Unico System installations only require one (1) central return. There are three components of the return air:

- The Return Air Box and Filter
- The Return Air Adapter
- The Return Air Duct
- UPC-01-2430 Return Air Box. The Return Air Box consists of a filter and box, with "Q" bands for easy installation
- UPC-04-2430 Return Air Duct. This consists of ten foot long return air duct made out a sound attenuating material that is 14 inches inside diameter
- UPC-59-2430 Return Air Adapter for Cooling Module. This is rectangular to elliptical connector that is fastened to the cooling coil module with self-tapping metal screws (included with coil module)
- UPC-104-2430 Return Air Adapter for Heating Module. This is a latching adapter that clips to the hot water heating module, the other end then attaches with the "Q" bands included in the return air box
- M2430OR1 Multiple Return Air Box: This item attaches to the cooling module or hot water module with the suitcase latches and flanges as other modules. It includes a pleated filter that is easily accessible from either end.



STEP FOUR

Choosing any needed accessories

- Secondary Drain Pan: Designed to catch an emergency overflow from the primary drain pan. A must if installing the air handler in a horizontal position: UPC20B (two modules)
UPC-20C (three modules)
- Starting Collar: This piece is used to attach the plenum to the blower module of the air handler:
UPC-61-2430 Round Duct
UPC-62-2430 Square Duct
- Vertical Stand: MV2430: This stand has a pleated filter grille and space for a hot water coil. It also contains a spacer and fill plate to be placed between the blower module and coil module

STEP FIVE:**Choosing Supply Air**

UPC80M-1: Metal Plenum Single Installation Kit: This consists of one (1) twelve (12) foot length of the sound attenuating tubing and the following items required to make an installation of a single outlet:

- Standard White Plastic Outlet
- Coupling with gaskets and clamps
- Two clamps for sound attenuating tubing
- Two clamps for aluminum core tubing
- Toggles and screws
- Winter Supply Shut-off
- Balancing orifice kit
- Metal take-off with gaskets and tape ring
- Gasket for standard white plastic take-off

A MINIMUM OF SIX (6) outlets per ton are needed (seven for the iSeries)

STEP SIX;**Choosing an outdoor unit to match your system:**

IF USING THE TXV COIL (either for air-conditioning or heat pump), use any major third party equipment manufacturer. To check the ratings go to www.ahridirectory.org, then go to "Air-Conditioning" you can select your matchup by going to "Outside Unit" of your choice, then "Indoor Unit" of Unico. If there is no matchup, please call our customer service department at 1-800-527-0896 to check the specifications

IF USING THE iSERIES BY UNICO, you must select the proper matchup from Bulletin 30-127 page one. For example a M2430 is a "C" size and it can be used with the IS24, IS30 or IS36 as a single split.

STEP SEVEN:**Consider an Alternative Air Handler**

Vertical Air Handler: V2430, this is a one piece, painted unit that contains the variable speed blower motor, cooling coil and a space for an optional hot water heating coil. It is a fast and easy alternative to using the Vertical Stand

EXAMPLE PARTS LIST

We have a customer who wants a two ton air conditioner. The air handler is installed horizontally, using the variable speed motor and no supply runs are more than twelve feet. Here would be a material list

Qty.	Model Number	Description
1	M2430BL1-EC2	2 to 2 ½ Ton Variable Speed Blower for 230V power
1	M2430CL1-B	2 to 2 ½ Ton Refrigerant Coil (4 Row) for A/C
1	UPC-01-2430	Return Air Box with Grille and Filter
1	UPC-04-2430	Return Air Duct, R 4.2 14"D x 10 feet
1	UPC-59-2430	Return Air Adapter
1	UPC-20B	Secondary Drain Pan
1	UPC-61-2430	Starting Collar for Round Duct
12	UPC-80M-1	Metal Plenum Single Installation Kit
1	Amana Model ASAC-160241B	Condensing Unit (Made by Daikin, Inc.)*

IF OUR CHOICE WAS THE iSeries by Unico we would have the following bill of material

Qty.	Model Number	Description
1	M2340BL1-EA2	2 to 2 ½ Ton Blower Module for iSeries
1	M2430CL1-A	2 to 2 ½ Ton Coil Module for iSeries
1	UPC-01-2430	Return Air Box with Grille and Filter
1	UPC-04-2430	Return Air Duct, R 4.2, 14" D X 10 feet
1	UPC-59-2430	Return Air Adapter
1	UPC-20B	Secondary Drain Pan
1	UPC-61-2430	Starting Collar for Round Duct
12	UPC-80M-1	Metal Plenum Single Installation Kit
1	IS2465	iSeries Outdoor Unit

Plus you will need all accessories as with any other A/C System such as Disconnect Box, Thermostat (if using the iSeries be sure to use a 2 stage heat pump thermostat), Tape, Line Set, Etc.

*Used for example only. Unico air handlers match up with the outdoor units of all manufacturers. Call Unico Customer Service for all match ups.

HOW TO CHOOSE A UNICO SYSTEM

3036 Selection Guide Follow this simple 7 Step Guide to creating a Unico System

STEP ONE:

Choosing a Blower Module

Choose one, all modules are compatible with any major condensing unit/heat pump manufacturer (except iSeries, which MUST be paired an iSeries outdoor unit)

- Single Speed Motor: M3036BL1-STD (Single Speed, 1750 RPM, PSC blower with rheostat)
- Variable Speed Motor: True variable speed EC motor, available in either 115V or 230V, can use default settings or be programmed with a laptop computer)
 - 110V M3036BL1-EC1
 - 220V M2430 BL1-EC2
- iSeries Motor: EC Motor designed to work with the iSeries inverter outdoor unit M3036BL1-EA2

STEP TWO:

Choosing a Coil Module

Choose one, this is the cooling module, although it can be used for heating with the use of a heat pump compatible with any major condensing unit/heat pump manufacturer, except iSeries which MUST be paired with an iSeries outdoor unit

- Air Conditioning Coil 4-Row Deep: Uses externally balanced TXV, has two bi metal switches to prevent the evaporator coil from freezing and liquid refrigerant from slugging the compressor: M3036CL1-B
- Heat Pump Coil 6-Row Deep: Uses externally balanced TXV, has two bi metal switches to prevent the liquid refrigerant from slugging the compressor, has two additional rows as an accumulator to handle different charge in heating and cooling season: M3036CL1-E
- iSeries Coil Designed specifically for the iSeries outdoor unit, it uses flare fittings and does not have a TXV, and instead the EEV in the outdoor unit is used to monitor the flow of refrigerant: M3036CL1-A

STEP THREE:

Choosing your return air components

The majority of Unico System installations only require one (1) central return. There are three components of the return air:

- The Return Air Box and Filter
- The Return Air Adapter
- The Return Air Duct
- UPC-01-3036 Return Air Box. The Return Air Box consists of a filter and box, with "Q" bands for easy installation
- UPC-04-3036 Return Air Duct. This consists of ten foot long return air duct made out a sound attenuating material that is 16 inches inside diameter
- UPC-59-3036 Return Air Adapter for Cooling Module. This is rectangular to elliptical connector that is fastened to the cooling coil module with self-tapping metal screws (included with coil module)
- UPC-104-3036 Return Air Adapter for Heating Module. This is a latching adapter that clips to the hot water heating module, the other end then attaches with the "Q" bands included in the return air box
- M3036R1 Multiple Return Air Box: This item attaches to the cooling module or hot water module with the suitcase latches and flanges as other modules. It includes a pleated filter that is easily accessible from either end.

STEP FOUR

Choosing any needed accessories

- Secondary Drain Pan: Designed to catch an emergency overflow from the primary drain pan. A must if installing the air handler in a horizontal position: UPC27B (two modules) UPC27C (three modules)
- Starting Collar: This piece is used to attach the plenum to the blower module of the air handler:
 - UPC-61-3036 Round Duct
 - UPC-62-3036 Square Duct
- Vertical Stand: M3036V1: This stand has a pleated filter grille and space for a hot water coil. It also contains a spacer and fill plate to be placed between the blower module and coil module

STEP FIVE:**Choosing Supply Air**

UPC80M-1: Metal Plenum Single Installation Kit: This consists of one (1) twelve (12) foot length of the sound attenuating tubing and the following items required to make an installation of a single outlet:

- Standard White Plastic Outlet
 - Coupling with gaskets and clamps
 - Two clamps for sound attenuating tubing
 - Two clamps for aluminum core tubing
 - Toggles and screws
 - Winter Supply Shut-off
 - Balancing orifice kit
 - Metal take-off with gaskets and tape ring
 - Gasket for standard white plastic take-off
- A MINIMUM OF SIX (6) outlets per ton are needed (Seven for the iSeries)

STEP SIX;**Choosing an outdoor unit to match your system:**

IF USING THE TXV COIL (either for air-conditioning or heat pump), use any major third party equipment manufacturer. To check the ratings go to www.ahridirectory.org, then go to "Air-Conditioning" you can select your match up by going to "Outside Unit" of your choice, then "Indoor Unit" of Unico. If there is no match up, please call our customer service department at 1-800-527-0896 to check the specifications

IF USING THE iSERIES BY UNICO, you must select the proper match up from Bulletin 30-127 page one. For example a M3036 is a "D" size and it can ONLY be used with the IS36 as a single split.

STEP SEVEN:**Consider an Alternative Air Handler**

Vertical Air Handler: V3036, this is a one piece, painted unit that contains the variable speed blower motor, cooling coil and a space for an optional hot water heating coil. It is a fast and easy alternative to using the Vertical Stand

EXAMPLE PARTS LIST

We have a customer who wants a two ton air conditioner. The air handler is installed horizontally, using the variable speed motor and no supply runs are more than twelve feet. Here would be a material list

Qty.	Model Number	Description
1	M3036BL1-EC2	2 to 2 ½ Ton Variable Speed Blower for 230V power
1	M3036CL1-B	2 to 2 ½ Ton Refrigerant Coil (4 Row) for A/C
1	UPC-01-3036	Return Air Box with Grille and Filter
1	UPC-04-3036	Return Air Duct, R 4.2 16"D x 10 feet
1	UPC-59-306	Return Air Adapter
1	UPC-27B	Secondary Drain Pan
1	UPC-61-3036	Starting Collar for Round Duct
18	UPC-80M-1	Metal Plenum Single Installation Kit
1	Amana Model ASAC-160301B	Condensing Unit (Made by Daikin, Inc.)*

IF OUR CHOICE WAS THE iSeries by Unico we would have the following bill of material

1	M3036BL1-EA2	2 to 2 ½ Ton Blower Module for iSeries
1	M3036CL1-A	2 to 2 ½ Ton Coil Module for iSeries
1	UPC-01-3036	Return Air Box with Grille and Filter
1	UPC-04-3036	Return Air Duct, R 4.2, 16" D X 10 feet
1	UPC-59-3036	Return Air Adapter
1	UPC-27B	Secondary Drain Pan
1	UPC-61-3036	Starting Collar for Round Duct
18	UPC-80M-1	Metal Plenum Single Installation Kit
1	IS36G110	3 ton iSeries Outdoor Unit

Plus you will need all accessories as with any other A/C System such as Disconnect Box, Thermostat (if using the iSeries be sure to use a 2 stage heat pump thermostat), Tape, Line Set, Etc.

*Used for example only. Unico air handlers match up with the outdoor units of all manufacturers. Call Unico Customer Service for all match ups.

HOW TO CHOOSE A UNICO SYSTEM

3642 Selection Guide Follow this simple 7 Step Guide to creating a Unico System

STEP ONE:

Choosing a Blower Module

Choose one, all modules are compatible with any major condensing unit/heat pump manufacturer (except iSeries, which MUST be paired an iSeries outdoor unit)

- Single Speed Motor: M3642BL1-STD (Single Speed, 1750 RPM, PSC blower with rheostat)
- Variable Speed Motor: True variable speed EC motor, available in either 115V or 230V, can use default settings or be programmed with a laptop computer)

110V M3642BL1-EC1

220V M3642 BL1-EC2



STEP TWO:

Choosing a Coil Module

Choose one, this is the cooling module, although it can be used for heating with the use of a heat pump compatible with any major condensing unit/heat pump manufacturer, except iSeries which MUST be paired with an iSeries outdoor unit

- Air Conditioning Coil 4-Row Deep: Uses externally balanced TXV, has two bi metal switches to prevent the evaporator coil from freezing and liquid refrigerant from slugging the compressor: M3642CL1-B
- Heat Pump Coil 6-Row Deep: Uses externally balanced TXV, has two bi metal switches to prevent the liquid refrigerant from slugging the compressor, has two additional rows as an accumulator to handle different charge in heating and cooling season: M3642CL1-E



STEP THREE:

Choosing your return air components

The majority of Unico System installations only require one (1) central return. There are three components of the return air:

The Return Air Box and Filter

The Return Air Adapter

The Return Air Duct

- UPC-01-3642 Return Air Box. The Return Air Box consists of a filter and box, with "Q" bands for easy installation
- UPC-04-3642 Return Air Duct. This consists of ten foot long return air duct made out a sound attenuating material that is 18 inches inside diameter
- UPC-59-3642 Return Air Adapter for Cooling Module. This is rectangular to elliptical connector that is fastened to the cooling coil module with self-tapping metal screws (included with coil module)
- UPC-104-3642 Return Air Adapter for Heating Module. This is a latching adapter that clips to the hot water heating module, the other end then attaches with the "Q" bands included in the return air box
- M3642R1 Multiple Return Air Box: This item attaches to the cooling module or hot water module with the suitcase latches and flanges as other modules. It includes a pleated filter that is easily accessible from either end.



STEP FOUR

Choosing any needed accessories

- Secondary Drain Pan: Designed to catch an emergency overflow from the primary drain pan.
A must if installing the air handler in a horizontal position: UPC-24B (two modules) UPC-24C (three modules)
- Starting Collar: This piece is used to attach the plenum to the blower module of the air handler:
UPC-61-3642 Round Duct
UPC-62-3642 Square Duct
- Vertical Stand: M3642V1: This stand has a pleated filter grille and space for a hot water coil. It also contains a spacer and fill plate to be placed between the blower module and coil module

**STEP FIVE:
Choosing Supply Air**

UPC80M-1: Metal Plenum Single Installation Kit: This consists of one (1) twelve (12) foot length of the sound attenuating tubing and the following items required to make an installation of a single outlet:

- Standard White Plastic Outlet
- Coupling with gaskets and clamps
- Two clamps for sound attenuating tubing
 - Two clamps for aluminum core tubing
- Toggles and screws
- Winter Supply Shut-off
- Balancing orifice kit
- Metal take-off with gaskets and tape ring
- Gasket for standard white plastic take-off

A MINIMUM OF SIX (6) outlets per ton are needed (Seven for the iSeries)

**STEP SIX;
Choosing an outdoor unit to match your system:**

IF USING THE TXV COIL (either for air-conditioning or heat pump), use any major third party equipment manufacturer. To check the ratings go to www.ahridirectory.org, then go to "Air-Conditioning" you can select your matchup by going to "Outside Unit" of your choice, then "Indoor Unit" of Unico. If there is no matchup, please call our customer service department at 1-800-527-0896 to check the specifications

**STEP SEVEN:
Consider an Alternative Air Handler**

Vertical Air Handler: V3642, this is a one piece, painted unit that contains the variable speed blower motor, cooling coil and a space for an optional hot water heating coil. It is a fast and easy alternative to using the Vertical Stand

EXAMPLE PARTS LIST

We have a customer who wants a three and one-half ton air conditioner. The air handler is installed horizontally, using the variable speed motor and no supply runs are more than twelve feet. Here would be a material list

Qty.	Model Number	Description
1	M3642BL1-EC2	2 to 2 ½ Ton Variable Speed Blower for 230V power
1	M3642CL1-B	2 to 2 ½ Ton Refrigerant Coil (4 Row) for A/C
1	UPC-01-3642	Return Air Box with Grille and Filter
1	UPC-04-3642	Return Air Duct, R 4.2 18"D x 10 feet
1	UPC-59-3642	Return Air Adapter
1	UPC-24B	Secondary Drain Pan
1	UPC-61-3642	Starting Collar for Round Duct
21	UPC-80M-1	Metal Plenum Single Installation Kit
1	Amana Model ASAC-160421B	Condensing Unit (Made by Daikin, Inc.)

Plus you will need all accessories as with any other A/C System such as Disconnect Box, Thermostat (if using the iSeries be sure to use a 2 stage heat pump thermostat), Tape, Line Set, Etc.

*Used for example only. Unico air handlers match up with the outdoor units of all manufacturers. Call Unico Customer Service for all match ups.

HOW TO CHOOSE A UNICO SYSTEM

4860 Selection Guide Follow this simple 6 Step Guide to creating a Unico System

STEP ONE:

Choosing a Blower Module

Choose one, all modules are compatible with any major condensing unit/heat pump manufacturer (except iSeries, which MUST be paired an iSeries outdoor unit)

- Single Speed Motor: M4860BL1-STD (Single Speed, 1750 RPM, PSC blower with rheostat)
- Variable Speed Motor: True variable speed EC motor, available in either 115V or 230V, can use default settings or be programmed with a laptop computer
 - 110V M4860BL1-EC2
 - 220V M4860 BL1-EC2

STEP TWO:

Choosing a Coil Module

Choose one, this is the cooling module, although it can be used for heating with the use of a heat pump compatible with any major condensing unit/heat pump manufacturer, except iSeries which MUST be paired with an iSeries outdoor unit

- Air Conditioning Coil 3-Row Deep: Uses externally balanced TXV, has two bi metal switches to prevent the liquid refrigerant from slugging the compressor: M4860CL1-B
- Heat Pump Coil 4-Row Deep: Uses externally balanced TXV, has two bi metal switches to prevent the liquid refrigerant from slugging the compressor, has two additional rows as an accumulator to handle different charge in heating and cooling season: M4860CL1-E

All M4860 Coils have a spacer included to fit between the blower module and coil module, this is needed in both vertical and horizontal applications. If installing horizontally, please be sure to install the drip plate, included with the spacer

STEP THREE:

Choosing your return air components

The majority of Unico System installations only require one (1) central return. There are three components of the return air:

- The Return Air Box and Filter
- The Return Air Adapter
- The Return Air Duct
- UPC-01-4860 Return Air Box. The Return Air Box consists of a filter and box, with "Q" bands for easy installation
- UPC-04-4860 Return Air Duct. This consists of ten foot long return air duct made out a sound attenuating material that is 20 inches inside diameter
- UPC-59-4860 Return Air Adapter for Cooling Module. This is rectangular to elliptical connector that is fastened to the cooling coil module with self-tapping metal screws (included with coil module)
- UPC-104-4860 Return Air Adapter for Heating Module. This is a latching adapter that clips to the hot water heating module, the other end then attaches with the "Q" bands included in the return air box
- M4860R1 Multiple Return Air Box: This item attaches to the cooling module or hot water module with the suitcase latches and flanges as other modules. It includes a pleated filter that is easily accessible from either end.

STEP FOUR

Choosing any needed accessories

- Secondary Drain Pan: Designed to catch an emergency overflow from the primary drain pan. A must if installing the air handler in a horizontal position: UPC24B (two modules) UPC24C (three modules)
- Starting Collar: This piece is used to attach the plenum to the blower module of the air handler:
 - UPC-61-4860 Round Duct
 - UPC-62-4860 Square Duct
- Vertical Stand: M4860V1: This stand has a pleated filter grille and space for a hot water coil. It also contains a spacer and fill plate to be placed between the blower module and coil module

STEP FIVE:

Choosing Supply Air

UPC80M-1: Metal Plenum Single Installation Kit: This consists of one (1) twelve (12) foot length of the sound attenuating tubing and the following items required to make an installation of a single outlet:

- Standard White Plastic Outlet
- Coupling with gaskets and clamps
- Two clamps for sound attenuating tubing
 - Two clamps for aluminum core tubing
- Toggles and screws
- Winter Supply Shut-off
- Balancing orifice kit
- Metal take-off with gaskets and tape ring
- Gasket for standard white plastic take-off

A MINIMUM OF SIX (6) outlets per ton are needed (Seven for the iSeries)

STEP SIX;

Choosing an outdoor unit to match your system:

IF USING THE TXV COIL (either for air-conditioning or heat pump), use any major third party equipment manufacturer. To check the ratings go to www.ahridirectory.org, then go to "Air-Conditioning" you can select your matchup by going to "Outside Unit" of your choice, then "Indoor Unit" of Unico. If there is no matchup, please call our customer service department at 1-800-527-0896 to check the specifications

EXAMPLE PARTS LIST

We have a customer who wants a three and one-half ton air conditioner. The air handler is installed horizontally, using the variable speed motor and no supply runs are more than twelve feet. Here would be a material list

Qty.	Model Number	Description
1	M4860BL1-EC2	4 to 5 Ton Variable Speed Blower for 230V power
1	M4860CL1-B	4 to 5Ton Refrigerant Coil (4 Row) for A/C
1	UPC-01-4860	Return Air Box with Grille and Filter
1	UPC-04-4860	Return Air Duct, R 4.2 20"D x 10 feet
1	UPC-59-4860	Return Air Adapter
1	UPC-24B	Secondary Drain Pan
1	UPC-61-4860	Starting Collar for Round Duct
35	UPC-80M-1	Metal Plenum Single Installation Kit
1	Amana Model ASAC-160601B Condensing Unit (Made by Daikin, Inc.)	

Plus you will need all accessories as with any other A/C System such as Disconnect Box, Thermostat (if using the iSeries be sure to use a 2 stage heat pump thermostat), Tape, Line Set, Etc.

*Used for example only. Unico air handlers match up with the outdoor units of all manufacturers. Call Unico Customer Service for all match ups.

INSTALLATION GUIDE

FOLLOW THESE SIMPLE RULES WHEN DESIGNING A UNICO SYSTEM:

This instruction is a summary of the basic rules and applies to most applications. For applications outside the scope of this guide refer to the detailed design rules in the installation and design bulletins.

DUCT DESIGN

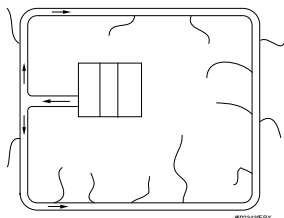
Outlets

- **6 Per Ton (1.7 per kW).** The minimum number of 2-inch (50 mm) outlets is six outlets per nominal ton. This is based on 240 CFM per nominal ton and 40 CFM per outlet. The number of outlets depends on amount of air required and the desired sound level (based on the maximum outlet airflow). To make quieter, use more outlets, switch to the 2.5 inch (63 mm) outlets, or reduce the airflow (but never below 200 CFM per nominal ton [27 L/s per kW]).
- **250 CFM per nominal ton.** The Unico System is rated with 250 CFM per nominal ton [33 L/s per kW] for air conditioning applications and 275 CFM per ton [36 L/s per kW] for heat pumps. The minimum airflow for proper operation is 200 CFM per ton [27 L/s per kW]. Chilled and hot water coils are not rated at a specific airflow; refer to Bulletin 20-20.3.
- **20% Rule.** A 2.5 inch (63 mm) outlet delivers 20% more air or is 20% quieter. Your choice.
- **10% Rule.** For supply ducts longer than 10 feet (3 meter), the air is reduced in that run by 10% for every 5 feet over 10 (every 1.5 meter over 3 meters). For example, a 30 foot [9 meter] run is 60% of an outlet that is 10 foot [3 m] yielding a reduction of 40% ($30-10=20$, $20\div5=4$, $4\times10=40\%$). Refer to Bulletin 20-54 for more information.
- **Consider Traffic Pattern.** Place outlets out of traffic pattern. A corner, 5-inch [127 mm] from each wall, is a good location, or along walls, or in soffits blowing horizontally. Consider floor outlets (with screens) for units located in basement. Slotted outlets can be used for high wall locations or in ceilings where there is insufficient room for bending tubing.
- **Allow for Aspiration.** Locate outlets so the air stream does not impinge on any objects or people — at least 3 feet [1 m] away. Use outlet deflectors and outlet balancing orifices sparingly as they disrupt the aspiration.
- **Minimize Length, Minimize Restriction.** Keep the supply tubing length as close to 10 feet [3 m] as possible and never less than 6 feet [1.8 meters]. Use the fewest number of bends as possible. Maximize the radius of any bends making sure the bend in the sound attenuator tubing near the outlet is at least 6-inch [152 mm] inside radius.

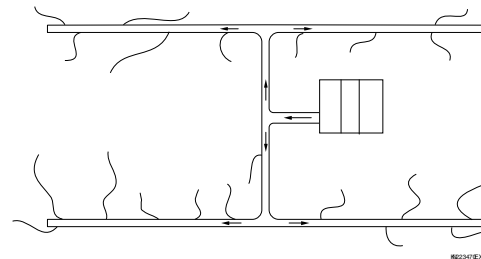
Plenum

- **Maximize Length, Minimize Restriction.** Run main trunk (plenum) as long as possible; it is better to lengthen the plenum if you can shorten even two supply tubing runs. Use full flow tees with turning vanes (when applicable) and full flow elbows. The maximum total plenum length is 150 ft [45 m]; consider the first tee equal to 30 ft [9 m] and elbows equal to 15 ft [4.6 m]. Refer to Bulletin 40-40 for more detail.
- **Use a Plenum Tee.** (Best Method). Use a plenum tee at least 24 inches [610 mm] off unit. For the 4860 unit, use 10-inch [254 mm] diameter with a reducer tee; then use 9-inch [229 mm] both directions. For the 3036 and 3642 unit, use 9-inch [229 mm] then 7-inch [178 mm] both directions. For the 1218 and 2430, use 7-inch [178 mm] throughout.

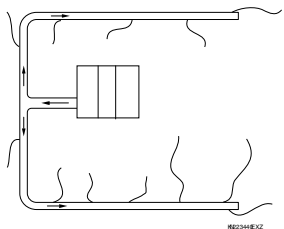
Perimeter Loop
(BEST)



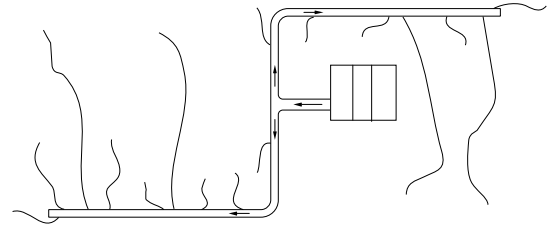
H-pattern
(BETTER)



Horseshoe
(GOOD)

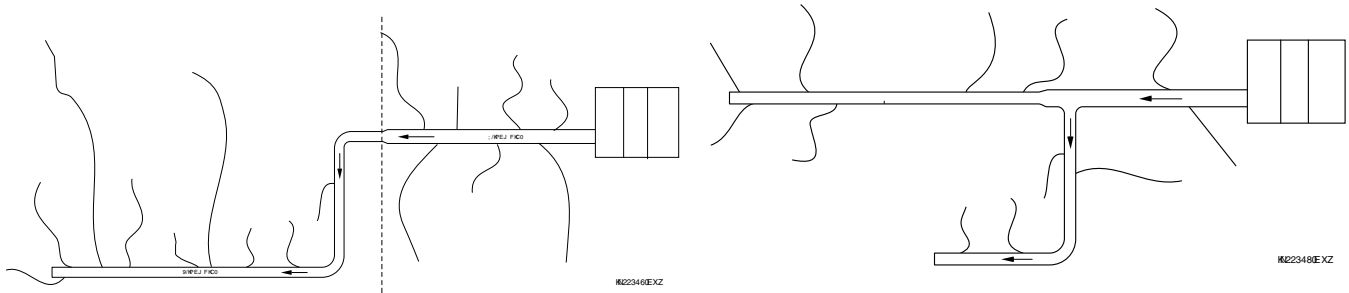


Dogleg
(GOOD)



- **60/40 Rule.** When using a tee split the flow as close to 50/50 as possible — no more than 60/40. Always use a turning vane.

- **Shotgun Pattern.** For the 4860 unit, use 10-inch [254 mm] duct for the first 30 percent; then reduce to 9-inch [229 mm]. For the 3036 and 3642 unit, use 9-inch [229 mm] for the first 40 percent; then reduce to 7-inch [178 mm]. For the 1218 and 2430 unit, use 7-inch [178 mm] throughout. Do not reduce the duct size if plenum is longer than 100 ft [30 m].



- **70/30 Rule.** Turn the tee 90° to make a side branch with no more than 30 percent of the air. Do not use a turning vane
- **24-inch (610 mm) Rule.** Use at least 24-inch [610 mm] of straight plenum before any fitting, such as an elbow, tee, or takeoff. Avoid elbows directly off units.
- **Space Takeoffs Evenly.** Maintain distance between takeoffs as evenly as possible. Space the takeoffs at least 6-inch [152 mm] from each other and 12-inch [305 mm] from end cap.

SOUND

- **Sound Attenuators.** Always use at least 3 feet [1 m] of the Unico supplied sound attenuator supply tubing (UPC-26C) at the end of each run. For runs up to 12 feet [3658 mm], you may use the sound attenuator for the entire run. For greater lengths, use the aluminum core supply tubing (UPC-25) with a 3 foot [1 m] sound attenuator at the end.
- **35 CFM per outlet.** Outlet sound is based on the amount of air from the outlet. The recommended airflow for good noise attenuation from a 2-inch (50 mm) outlet is a maximum of 35 CFM [16.5 L/s]. Use this number, adjusted for duct length, plenum static pressure, duct size, and balancing orifices, to fine-tune number of outlets. Refer to Bulletin 20-54 for more detail.
- **Return Air Duct Attenuation.** Use the Unico acoustical Return Air Duct (UPC-04), fiberglass duct-board, or sheet metal with acoustical duct liner.
- **Isolation.** Isolate the air handler with foam rubber strips under the unit. Either hang the unit from the structure using angle iron framework under unit (do not hang directly with hooks in the cabinet) or set on a platform.

PIPING

- **Secondary Drain Pan.** Always use a secondary drain pan wherever overflow of condensate can cause water damage. Do not trap secondary drain line or connect to primary drainpipe. Place secondary drain line exit so that it is apparent when being used. For example, pipe the drain line so it drips on an outdoor windowsill and causes splashing to be noticed.
- **Primary Drain.** Always trap primary drain line and run drain line per local plumbing codes.
- **Refrigerant Lines.** Follow outdoor section manufacturer's instructions for running refrigerant lines. Size and trap per their instructions.

STARTUP — DO THIS BEFORE BOXING-IN THE DUCT WORK.

- **Check for Full Flow.** Inspect each outlet for full flow (except where balancing orifices are used or for long branch ducts); it should be approx. 35 CFM [17 L/s] per outlet. Investigate for blockage or kinks if flow is insufficient.
- **Check Outlet Airflow.** Check the airflow at each outlet with a Turbometer centered over the outlet. Add up the airflow for all outlets – it should not differ by +/- 5% from the design airflow.
- **Check Blower Airflow.** For units with single speed motors, measure the amperage and voltage of the motor, then use the amperage table shipped with each air handler to determine the blower output. For variable speed motors, count the blinks to determine airflow. Compare the blower airflow and the outlet airflow. If the outlet airflow is significantly less than the blower airflow, check for system air leaks.
- **Check Static Pressure (optional).** Measure the external static pressure in plenum 2 feet [610 mm] from unit and before any fitting. Static pressure above 1.5 inches of water [0.37 kPa] may indicate restrictive plenum or not enough outlets. Correct as necessary.
- **Check Refrigerant Charge.** Charge unit per outdoor manufacturer's instructions and Unico's Installation instructions. For best results use the subcooling method during the cooling cycle. Heat pumps should be checked in both heating and cooling.

PRODUCT FEATURES

- Uses R410a
- All are equipped for heat pump operation
- Combines the Unico System and Multi-Split options with a single unit
- Inverter Technology
- Broad temperature range
- Quiet (48 dba or less)
- Cold draft protection
- Anti-frost protection
- Intelligent defrost
- Ability to zone with dampers
- Can use a wide variety of third-party thermostats or a wireless remote control
- Auxiliary Heat available with either hot water or electric furnace
- Combines all the efficiencies and performance of the inverter technology with all the features and benefits of the Unico System



IS18G050 Outdoor Inverter Unit,
1.5 Tons



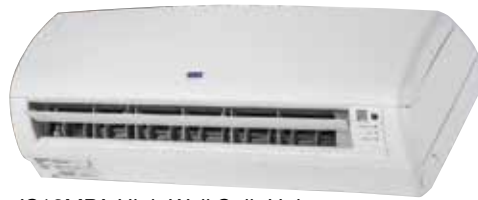
U1218L-1EA2AX Air Handler

iSERIES OUTDOOR UNITS

Model Number	IS18G50	IS24G65	IS30G80	IS36G110
Dimensions	24 7/8" X 35 1/4" X 13 5/8"	30" X 40 5/8" X 15 3/4"	33" X 40 5/8" X 16 1/2"	42 1/8" X 47" X 15 3/4"
Weight (Lbs)	125	155	177	221
Decibel Rating	41 db	47 db	47 db	48 db
Refrigerant Line Diameter	1/4" (2) x 3/8" (2)	1/4" (2) X 3/8" (2) x 1/2"	1/4" X 3/8"(2) X 1/2" (1)	1/4" X 3/8" (3) X 1/2" (1)
Power Supply	208-230 volts 1 Phase 60 Hz			
Full Load Current (Amps)	13	16	20	28
Maximum Overcurrent Protection (MOP)	20	25	35	50
Refrigerant Charge (R410A) lbs	2.9	6	6.4	7.5
Capacity in Btu's (at 95F)	18,400	22,000	30,150	38,100
SEER Rating*	20	20	20	20



M2430BL1-EA2 Blower Module



IS12MPA High Wall Split Unit,
One Ton



IS24MPA High Wall Split Unit,
Two Tons



M2430CL1-A Coil Module



IS24G065 Outdoor Inverter Unit,
2 Tons



M3036BL1-EA2 Blower Module



M3036CL1-A Coil Module



IS24G085 Outdoor Inverter Unit,
2.5 Tons



IS24G110 Outdoor Inverter Unit,
3 Tons

iSERIES INDOOR UNITS

Model Number	IS12MPA	IS24MPB	M1218-1EA2AX	M2430BL1-EA2 + M2430CL1-A	M3036BL1-EA2 + M3036CL1-A
Size Ratings	A	B	B	C	D
Dimensions	11" X 32" X 9"	12" x 40" x 10"	27" x 43" X 13"	29" X 16" X 20" + 29" X 16" X 20"	42" X 16" X 20" + 42" X 16" X 20"
Weight (Lbs)	18	27	92	60 + 73	73 + 78
Decibel Rating				56	56
Refrigerant Line Diameter	1/4" X 3/8"	1/4" X 1/2"	1/4" X 1/2"	1/4" X 3/8"	3/8" X 5/8"
Power Supply	208-230 volts 1 Phase 60 Hz				
Full Load Current (Amps)	.5 amps	.5 Amps	1.57	3	6.2
Maximum Overcurrent Protection (MOP)	Fused	Fused	15	15	15
Capacity in Btu's (at 95F)	22,000	30,150	38,100		
SEER Rating*	20*	20*	18*	18*	18*

EC BLOWERS

PRODUCT FEATURES

- Balanced Wheels
- Direct Drive Motor
- Shaft Key connection
- Quick Motor Replacement
- Separate Control Box
- Control Voltage Transformer
- Screw terminal connections
- Heat Pump AFS bypass
- Boiler Relay
- Six (6) modes of operation
- Adjustable low airflow mode
- Efficient Ventilation Mode
- Point-to-Point Wiring
- Electric Heater Fan interlock
- Electric heater stage
3 lockout protection
- Chilled water relay
- Fan cycling
- EAC, ERV, or HRV relay
- Potable water circulation
- Humidifier compatibility
- Soft-start and soft-stop
- Constant airflow
- Low airflow indicator
- Preset airflow rate
- Laptop configurable
- Laptop troubleshooting
- Optimized for zone damper systems
- Optimized for efficiency and sound

Model Number	U1218+	M2430BL1-EC2	M3036BL1-EC2	M3642BL1-EC2	M4860BL1-EC2
Dimensions	12" X 20" X 38"	29"X16"X20"	42"X 16" X20"	42"X 16" X20"	42"X 16" X20"
Weight (lbs)	91	62	73	73	73
Decibel Rating		56	56	56	58
Capacity	1 to 1 1/2 Tons	2 to 2 1/2 Tons	2 1/2 to 3 Tons	3 to 3 1/2 Tons	4 to 5 tons
Refrigerant Line Sizes	3/8" X 5/8"	3/8" X 7/8"	3/8" X 7/8"	3/8" X 7/8"	3/8" X 7/8"
Electrical Power	208/230 Volt Single Phase				
Nominal Air Flow Rate in CFM	300	600	750	900	1250
SEER	12*	12*	12*	12*	12*

* Will vary with Condenser Matchup



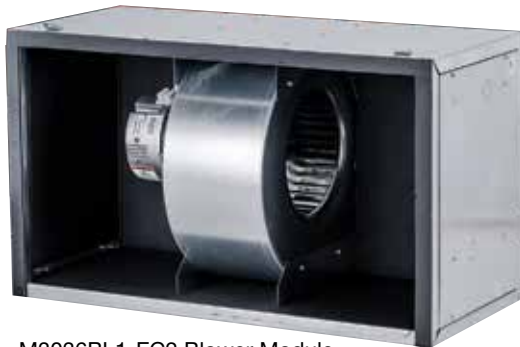
UL1218L-1EC2EH 1218 Air Handler



M2430BL1-EC2 Blower Module



M3642BL1-EC2 Blower Module



M3036BL1-EC2 Blower Module



M4860BL1-EC2 Blower Module

STANDARD BLOWERS

PRODUCT FEATURES

- Balanced Wheels
- Direct Drive Motor
- Shaft Key connection
- Quick Motor Replacement
- Separate Control Box
- Control Voltage Transformer
- Adjustable restrictor plate
- Screw terminal connections
- Heat Pump AFS bypass
- Two (2) modes of operation
- Adjustable low airflow mode

STANDARD BLOWER MODULE

Model Number	U1218*	M2430BL1-ST2	M3036BL1-ST2	M3642BL1-ST2	M4860BL1-ST2
Dimensions	12" X 20" X 38"	29" X 16" X 20"	42" X 16" X 20"	42" X 16" X 20"	42" X 16" X 20"
Weight (lbs)	91	62	73	73	73
Capacity	1 to 1 1/2 Tons	2 to 2 1/2 Tons	2 1/2 to 3 Tons	3 to 3 1/2 Tons	4 to 5 tons
Refrigerant Line Sizes	3/8" X 5/8"	3/8" X 7/8"	3/8" X 7/8"	3/8" X 7/8"	3/8" X 7/8"
Electrical Power	208/230 Volt Single Phase				
Nominal Air Flow Rate in CFM	300	600	750	900	1250
SEER	12**	12**	12**	12**	12**

* Many different combinations

** Will vary with Condenser Matchup



UL1218L-1ST2EX Air Handler



M2430BL1-ST2 Blower Module



M3036BL1-ST2 Blower Module



M3642BL1-ST2 Blower Module



M4860BL1-ST2 Blower Module

HEAT PUMP COILS

PRODUCT FEATURES

- Slant coil for M2430, M3036 and M3642
- “A” Coil for M4860
- Internally mounted TXV easily accessible, uses chatleff thread connections
- Standard Unico System “latch” method
- High Efficiency heat transfer surface
- Two bi-metal switches to prevent freezing
- Stainless Steel Drain Pan
- Four row deep refrigerant coil for cooling only, six rows deep for heat pump, allows for greater temperature drop over the coil
- Compatible for use with R22/R-407C and R410A refrigerants
- Heat pump coil has a 24v relay switch that bypasses anti-frost mode during the heating cycle

REFRIGERANT (COOLING) COILS

Model Number	M2430CL1-E	M3036CL1-E	M3642CL1-E	M4860CL1-E
Dimensions	25" X 23" X 20"	30" X 28" X 25"	38" X 36" X 33"	38" X 36" X 24"
Weight (lbs)	62	78	78	88
Capacity	2 to 2 1/2 Tons	2 1/2 to 3 Tons	3 to 3 1/2 Tons	4 to 5 tons
Refrigerant Line Sizes	3/8" X 7/8"	3/8" X 7/8"	3/8" X 7/8"	3/8" X 7/8"
Compatible Condenser Size in Tons	2 to 2 1/2 Tons	2 1/2 to 3 Tons	3 to 3 1/2 Tons	4 to 5 tons
SEER	12**	12**	12**	12**
Refrigerant Type	R410A or R22			
Condensate Connection	3/4"	3/4"	3/4"	3/4"

** Will vary with Condenser Matchup

* “B” Coil is 4 Rows Deep/3 Row for 4860

* “E” Coil is 6 Rows Deep/4 Row for 4860

Note: Either type may be used with cooling only or with heat pump, please call Customer Service at 1- 800-527-0896 for details



M2430CL1-E Heat Pump Coil



M3642CL1-E Heat Pump Coil



M3036CL1-E Heat Pump Coil



M4860CL1-E Heat Pump Coil

REFRIGERANT (COOLING) COILS

Model Number	M2430CL1-B	M3036CL1-B	M3642CL1-B	M4860CL1-B
Dimensions	25" X 23" X 20"	30" X 28" X 25"	38" X 36" X 33"	38" X 36" X 24"
Weight (lbs)	62	78	78	88
Capacity	2 to 2 1/2 Tons	2 1/2 to 3 Tons	3 to 3 1/2 Tons	4 to 5 tons
Refrigerant Line Sizes	3/8" X 7/8"	3/8" X 7/8"	3/8" X 7/8"	3/8" X 7/8"
Compatible Condenser Size in Tons	2 to 2 1/2 Tons	2 1/2 to 3 Tons	3 to 3 1/2 Tons	4 to 5 tons
SEER	12**	12**	12**	12**
Refrigerant Type	R410A or R22			
Condensate Connection	3/4"	3/4"	3/4"	3/4"

** Will vary with Condenser Matchup

* "B" Coil is 4 Rows Deep/3 Row for 4860

* "E" Coil is 6 Rows Deep/4 Row for 4860

Note: Either type may be used with cooling only or with heat pump, please call Customer Service at 1- 800-527-0896 for details

CHILLED WATER COILS

PRODUCT FEATURES

- Can be used for either hot water or chilled water
- 22 gauge construction
- Compatible with ground source chillers for geothermal applications
- Easy snap latches
- Fully lined with closed-cell insulation
- Evenly spaced aluminum fins mechanically bonded to copper
- Full fin collars provide for excellent heat transfer
- Tubes are 3/8" outside diameter
- All water lines are sweat connections extending out of the cabinet

Model Number	M2430CL1-C	M3036CL1-C	M3642CL1-C	M4860CL1-C
Dimensions	25" X 17 1/2" X 13 3/4"	30" X 17 1/2" X 13 3/4"	38" X 17 1/2" X 13 3/4"	38" X 17 1/2" X 17 1/2"
Weight (in lbs.)	53	76	76	76
Water Connections	7/8" (Sweat)	7/8" (Sweat)	7/8" (Sweat)	7/8" (Sweat)
Condensate Line Connection	3/4"	3/4"	3/4"	3/4"
Actual Coil Dimensions	13" X 23" X 4 1/2"	13" X 30" X 4 1/2"	13" X 38" X 4 1/2"	13" X 38" X 4 1/2"
Btu's of Output*	31,200*	35,000*	46,000*	58,100*



M2430CL1-C Chilled Water Coil



M3036CL1-C Chilled Water Coil



M3642CL1-C Chilled Water Coil



M4860CL1-C Chilled Water Coil

HOT WATER COILS

- Can be matched to a blower module for a heating only system or it can be matched with a blower module and cooling module for a system that both heats and cools
- Slide in hot water coil is supplied separately
- 22 gauge galvanized steel construction
- Easy snap latches
- Corrugated aluminum fins mechanically bonded to copper tubes
- Tubes are 1/2" diameter on staggered centers
- Each system is pressure tested at the factory
- Full-collar fins provide greater tube-fin contact for excellent heat transfer

Hot Water Coils

Model Number	M2430CL1-H	M3036CL1-H	M3642CL1-H	M4860CL1-H
Dimensions	25" X 17 1/2" X 13 3/4"	30" X 17 1/2" X 13 3/4"	38" X 17 1/2" X 13 3/4"	38" X 17 1/2" X 17 1/2"
Weight (in lbs.)	53	76	76	76
Water Connections	7/8" (Sweat)	7/8" (Sweat)	7/8" (Sweat)	7/8" (Sweat)
Condensate Line Connection	3/4"	3/4"	3/4"	3/4"
Actual Coil Dimensions	13" X 23" X 4 1/2 "	13" X 30" X 4 1/2"	13" X 38" X 4 1/2"	13" X 38" X 4 1/2"
Btu's of Output*	62,400	74,800	102,300	120,000

* Based on 180F incoming water, 8 GPM and Max CFM



HW-1218 Hot Water Coil



HW-2430 Hot Water Coil



HW-3036 Hot Water Coil



HW-3642 Hot Water Coil



HW-4860 Hot Water Coil

EC UPGRADE KITS

PRODUCT FEATURES

- Available for all Unico System blower modules manufactured after 2003 (These have the motor located in the airstream)
- Available for all size air handlers (except 1218)
M2430
M3036
M3642
M4860
- Uses almost 45% less energy than a PSC Motor
- Soft-Start/Soft-Stop
- Can easily re-adjust airflow with laptop
- Provides the ASHRAE 62-2 Standard for fresh air intake
- Ideal for use with two-speed condensing units
- Dry contacts make wiring a breeze

EC UPGRADE KIT

Model Number	Fits Unico Blower Module Number	Dimensions	Weight (lbs.)
A01543-K22	M2430	16" X 20" X 29"	20
A01543-K23	M3036 AND M3642	45" X 42" X 29"	20
A01543-K24	M4860	16" X 20" X 29"	20



A01543-K22



A01543-K24

DRAIN PANS

PRODUCT FEATURES

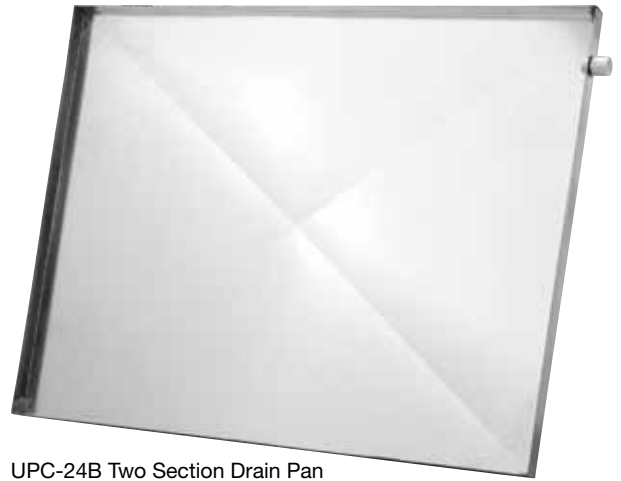
- Made of 22 gauge galvanized steel
- Available for all sizes of air handlers
- Comes in two module and three module sizes
- Condensate line does not need to be trapped

SECONDARY DRAIN PANS

Model Number	UPC-94	UPC-20B	UPC-20C	UPC-27B	UPC-27C	UPC-24B	UPC-24C	UPC-24D
Dimensions	22" X 40"	27" X 29 1/2"	27" X 41 7/8"	45" X 42"	45" X 42"	40" X 29 1/2"	40" X 41 7/8"	40" X 54"
Weight (in lbs.)	12	11	14	14	20	14	20	24
Matching Air Handler	U1218	M2430	M2430	M3036	M3036	M3642	M3642/M4860	M4860
Number of Modules	N/A	2	3			2	2 or 3	3



UPC-20B Two Section Drain Pan



UPC-24B Two Section Drain Pan



UPC-27 Drain Pan for M3036



UPC-24C Three Section Drain Pan

RETURN AIR MODULES

- The Return Air Module is designed for easy installation of multiple return air duct systems.
- Module comes without return air opening so that the installing contractor can cut whatever openings are necessary for any number of return ducts.
- The top and three sides of the module can be used for return air connections
- A centrally located disposable air filter is accessible from either side of the cabinet
- The Return Air Module is ideal for providing for fresh air from outside, effectively turning it into a mixing box
- Return air ducts can be of any material, provided it is acoustic and sized according to the ACCA Manual “D” guidelines
- The cabinet is fully insulated with a closed cell insulation. There is no exposed fiberglass in the cabinet.
- Uses 24 gauge galvanized steel with removable access panels

Return Air Plenum (RAP Module)

Model No.	Weight (lbs.)	Dimensions	For Unico System	Replacement Filter No.	Filter Size	Filter Type
M2430R1	30	29" X 20" X 21"	M2430	A00097-A007	14" X 20" X 1"	Disposable
M3036R1	30	42" X 16" X 20"	M3036	A00097-A006	14" X 30" X 1"	Disposable
M3642R1	30	42" X 16" X 20"	M3642	A00097-A008	14" X 38" X 1"	Disposable
M4860R1	30	42" X 16" X 20"	M4860	A00097-A008	14" X 38" X 1"	Disposable

Vertical Return Plenum Module

Model No.	Weight (lbs.)	Dimensions	For Unico System	Replacement Filter No.	Filter Size	Filer Type
M2430V1	33	29" X 20" X 21"	M2430	A00558-004	18" X 25" X 1"	Pleated
M3036V1	45	41" X 20" X 21"	M3036	A00558-003	18" X 20" X 1"	Pleated
M3642V1	45	41" X 20" X 21"	M3642	A00558-003	18" X 20" X 1"	Pleated
M4860V1	45	41" X 20" X 21"	M4860*	A00558-003	18" X 20" X 1"	Pleated
				A00558-005	18" x 18" X 1"	Pleated

* Requires Both Filters

- The Vertical Air Handler Module eliminates the need for the installing contractor to build a base plenum to elevate the Unico System air handler to fit in a vertical position
- The Vertical Air Handler Module features a built-in secondary drain pan with a $\frac{3}{4}$ " PVC socket connection
- The Vertical Air Handler Module has a pleated air filter included, which is accessible from either side
- The Vertical Air Handler Module has room for a hot water coil that can be accessible from either side
- The Vertical Air Handler Module has the ability to connect a return air plenum with a heating module return adapter (Unico Part UPC-104) or operated as a "free" or "wild" return
- The both the RAP and vertical air handler are attached with easy snap latch fittings for installation



M2430V1 Vertical Module



M3642V1 Vertical Module



M3036V1 Vertical Module



M4860V1 Vertical Module

VERTICAL UNITS

PRODUCT FEATURES

- Balanced Wheels
- Direct Drive Motor
- Shaft Key Connection
- Fully insulated with 1" closed cell insulation
- 22 gauge painted metal cabinet
- Can be used with R410 or an optional chilled water coil
- Screw Terminal connections
- Control voltage transformer
- Heat pump AFS bypass
- Adjustable low air flow mode
- Programmed constant air flow
- Heating (boiler) relay included
- Cooling (chiller) relay included
- Efficient Ventilation mode
- ASHRAE 62.2 compliance mode
- Point-to-point wiring
- Electric Heater fan interlock
- Electric Heater stage 3 lockout
- EAC, HRV, ERV relay
- Potable water circulation
- Humidifier compatibility
- Soft-start and soft-stop
- Low airflow indicator
- Preset customizable airflow settings
- Built in airflow diagnostics
- Laptop adjustable
- Laptop troubleshooting
- Optimized for zoning with hydronic systems
- Optimized for efficiency and sound
- Designed to fit into any closet only 20 to 23 ¾" wide
- One piece, no assembly required!

VERTICAL UNITS

Model Number	V2430	V3036	V3642
Dimensions	20" X 20" X 42"	20" X 24" X 42"	23 3/4" X 25" X 44"
Weight (Lbs)	169	200	227
Refrigerant Line Connection	1/2" X 1/4" Male Flare	5/8" X 3/8" Male Flare	3/4" X 3/8" Male Flare
Compatible Condenser Size (in tons)	2 to 2 1/2	2 1/2 to 3	3 to 3 1/2
Air Flow Rating (in CFM)	400 to 600	450 to 875	500 to 1000
SEER	12*	12*	12*

*Check AHRI directory for matchup



V2430B-1EC2EX Two Ton Vertical Air Handler Unit



V3036B-1EC2EX Two and 1/2 Ton Vertical Air Handler Unit



V3642B-1EC2EX Three Ton Vertical Air Handler Unit

RETURN AIR GRILLE AND FILTERS

PRODUCT FEATURES

- Includes throwaway filter
- Two Duct Bands
- Q Clips
- White Enamel paint
- Lid drops down for easy replacement
- Pleated filters are available from aftermarket suppliers

Return Air Grille and Filter Choices

Model Number	Return Air Grille	Duct Diameter	Width	Depth	Filter Size	Model No.	Matchup
	UPC-01-1218	12"	20 1/4"	14 1/4"	14" X 20"	U1218	
	UPC-01-2430	14"	25 1/4"	14 1/4"	14" X 25"	M2430	
	UPC-01-3036	16"	30 1/4"	14 1/4"	14" X 30"	M3036	
	UPC-01-3642	18"	30 1/4"	14 1/4"	14" X 30"	M3642	
	UPC-01-4860	20"	30 1/4"	24 1/4"	24" X 30"	M4860	
	UPC-01-4860NC	20"	30 1/4"	20 1/4"	20" X 30"	M4860NC	

Air Filter, Throwaway	Size
A0097-011	12" X 16"
A0097-007	14" X 20"
A0097-005	14" X 25"
A0097-006	14" X 30"
A0097-008	14" X 38"
A0097-009	24" X 30"
A0097-010	20" X 30"

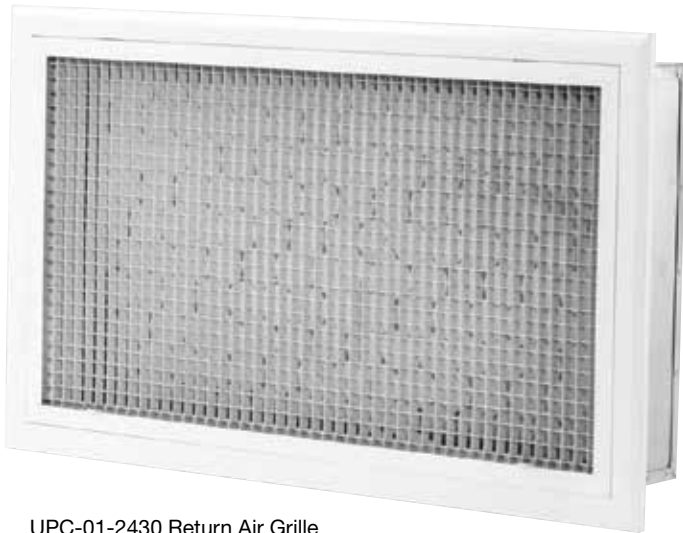
Air Filter, Pleated	Size
A00558-003	18" X 20"
A00558-004	18" X 25"
A00558-005	18" X 18"
A00558-002	18" X 30"



UPC-01-1218 Return Air Grille



UPC-01-3036 Return Air Grille



UPC-01-2430 Return Air Grille



UPC-01-4860 Return Air Grille

RETURN AIR DUCTS

PRODUCT FEATURES

- Tough Aluminized outer Mylar wrap
- Spun-bonded nylon and helical wire core
- 1" fiberglass insulation
- R4.2
- Sections are 10 (ten) feet long

Return Air Duct Model No.	Used On	Diameter	R Factor	Weight (Lbs.)
UPC-04-1218	U1218	12"	4.2	9
UPC-04-2430	M2430	14"	4.2	9
UPC-04-3036	M3036	16"	4.2	14
UPC-04-3642	M3642	18"	4.2	14
UPC-04-4860	M4860	20"	4.2	14
UPC-04R6-1218	U1218	12"	6	12
UPC-04R6-2430	M2430	14"	6	12
UPC-04R6-3036	M3036	16"	6	17
UPC-04R6-3642	M3642	18"	6	17
UPC-04R6-4860	M4860	20"	6	21
UPC-04R8-1218	U1218	12"	8	15
UPC-04R8-2430	M2430	14"	8	20
UPC-04R8-3036	M3036	16"	8	20
UPC-04R8-3642	M3642	18"	8	20
UPC-04R8-4860	M4860	20"	8	24



UPC-04-1218 Return Air Duct



UPC-04-3036 Return Air Duct



UPC-04-4860 Return Air Duct

RETURN AIR ADAPTERS

PRODUCT FEATURES

Unico makes two styles of return air adapters:

- Return Air Adapter for Cooling Module
- Return Air Adapter for Heating Module

The Return Air Adapter for Cooling Module:

- Has an insulation strip
- Uses self-tapping screws to attach to the cooling module, either refrigerant or chilled water

The Return Air Adapter for Heating Module:

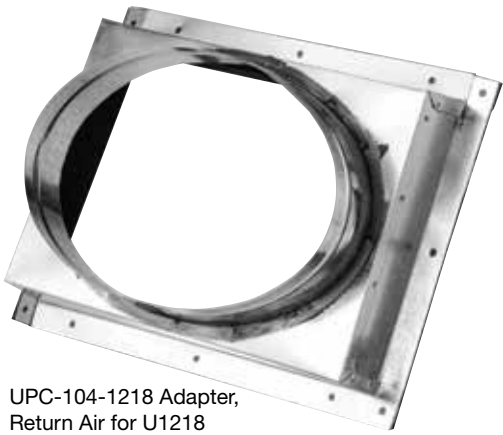
- Mounts directly to the heating module or the vertical plenum module
- No additional fabrication required
- Can be used in either vertical or horizontal installations

ADAPTER, RETURN AIR, COOLING MODULE

MODEL NUMBER	HEIGHT	WIDTH	DEPTH	DUCT DIAMETER	WEIGHT (LBS.)	MATCHES TO:
UPC-59-2430	13 1/2"	22"	11 1/2"	14"	6	M2430CL1-*
UPC-59-3036	13 1/2"	27"	11 1/2"	16"	9	M3036CL1-*
UPC-59-3642	13 1/2"	35"	10 1/2"	18"	9	M3642CL1-*
UPC-59-4860	11 1/2"	35"	15"	20"	14	M4860CL1-*

ADAPTER, RETURN AIR, HEATING MODULE

MODEL NUMBER	HEIGHT	WIDTH	DEPTH	DUCT DIAMETER	WEIGHT	MATCHES TO:
UPC104-2430	17 1/2"	25"	2"	14"	6	M2430CL1-H/M2430V1
UPC104-3036	17 1/2"	30"	2"	16"	9	M3036CL1-H/M3036V1
UPC104-3642	17 1/2"	38"	2"	18"	9	M3642CL1-H/M3642V1
UPC104-4860	17 1/2"	38"	2"	20"	14	M4860CL1-H/M4860V1



UPC-104-1218 Adapter,
Return Air for U1218



UPC-104-4860 Adapter,
Return Air for M4860



UPC-104-2430 Adapter,
Return Air for M2430



UPC-59-3642 Adapter,
Return Air for M3642



UPC-59-2430 Adapter,
Return Air for M2430



UPC-59-4860 Adapter,
Return Air for M4860

UPC-104-3036 Adapter,
Return Air for M3036



UPC-104-3642 Adapter,
Return Air for M3642



UPC-59-3036 Adapter,
Return Air for M3036

FILTERS

PRODUCT FEATURES

These are the standard filters supplied with Unico filter grilles.

These are cleanable, using a standard household vacuum cleaner attachment.

The homeowner can replace them as frequently as they choose, depending on system usage. Most end users find that replacing their filters twice a year, generally as part of the service contract offered by the installer, is more than sufficient.

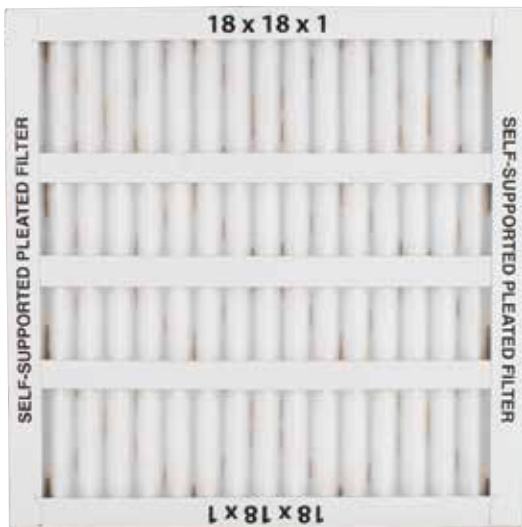
These filters are referred to as disposable panel filters.

The currently available standard panel filters are likely to range from 20-50% arrestance with resistance of .04 to .07 IWC (10 to 18 Pa) and should have acceptable pressure drop for all air handlers at any airflow

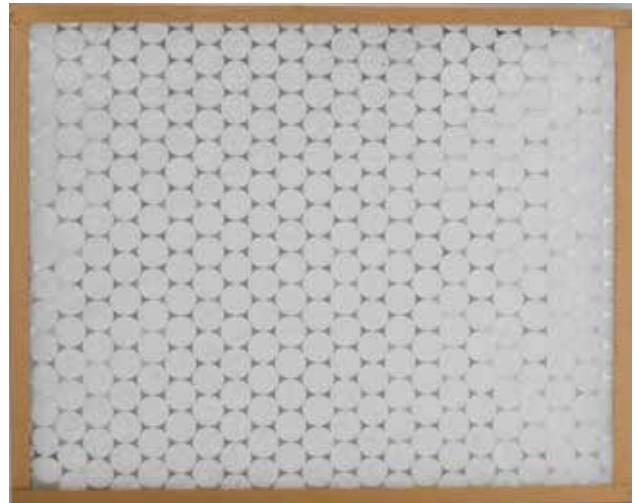
FILTER SIZE CHART

Part Number	Description	Dimensions	For Unico System Part No.	Filter Type
A00097-007	Filter	14" X 20" X 1"	UPC-01-1218	Disposable
A00097-005	Filter	14" X 25" X 1"	UPC-01-2430/M2430R1	Disposable
A00097-006	Filter	14" X 30" X 1"	UPC-01-3036, M3036R1, UPC-01-3642	Disposable
A00097-008	Filter	14" X 38" X 1"	M3642R1, M4860R1	Disposable
A00097-009	Filter	24" X 30" X 1"	UPC-01-4860	Disposable
A00097-010	Filter	20" X 30" X 1"	UPC-01-4860NC	Disposable
A00558-003	Filter	18" X 20" X 1"	M3642V1, M4860V1*	Pleated
A00558-004	Filter	18" X 25" X 1"	M2430V1	Pleated
A00558-005	Filter	18" X 18" X 1"	M3642V1, M4860V1*	Pleated
A00558-007	Filter	18" X 30" X 1"	M3036V1	Pleated

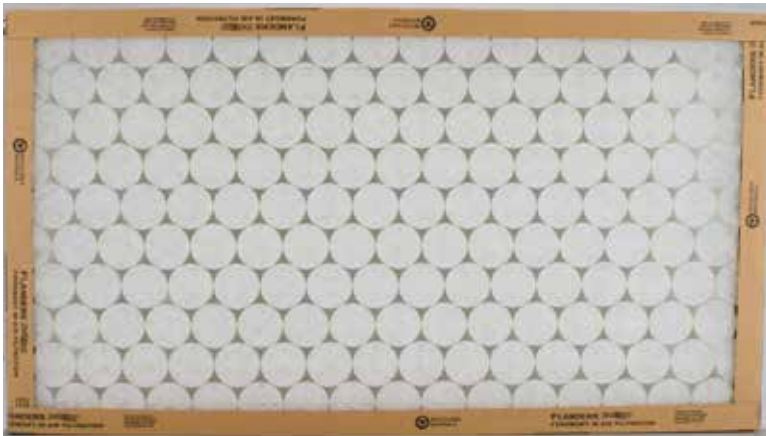
* Both Filters Required



A00558-005 Filter, Pleated for M4860V1, M3642V1



A0097-009 Filter, Throwaway for UPC-01-4860



A00097-005 Filter, Throwaway for M2430R1, UPC-01-2430



A00558-004 Filter, Pleated for M2430V1



A00097-006 Filter, Throwaway for M3036R1, UPC-01-3036, UPC-01-3642



A00558-003 Filter, Pleated for M3642V1 < M4890V1

SLOTTED OUTLETS

PRODUCT FEATURES

In addition to the round outlets, the Unico System offers rectangular outlets for 2 inch supply tubing

The rectangular outlets have a narrow (1/8") slot for air flow that gives it a better appearance in a sidewall application.

There are four (4) different types of slotted outlets:

- 90 degree slotted outlets (Part numbers UPC-66 and UPC-67A). These are specially designed to quietly turn the air inside a typical stud wall cavity. The UPC-67 is made of plastic and the UPC-66 is made of cast aluminum
- The UPC-66 is made of cast aluminum and is designed for commercial applications that prohibit the use of plastic ducting.
- The UPC-67A is identical to the UPC-66, except it uses plastic and is less expensive
- A straight outlet, the UPC-68 is designed for use where the placement of a round outlet is not practical. A typical application would be placement in a cabinet soffit. The UPC-68 is also made of plastic.

All slotted outlets may be used in the floor and ceiling, as well as high wall applications

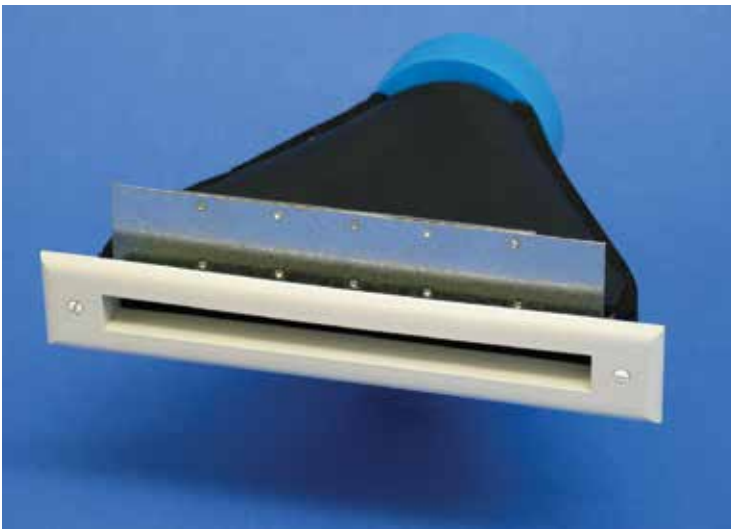
Model No.	Recommended Airflow	Recommended Number of Outlets	Outlet Material	Trim Plate Material	Rough in Hole Size	Weight in lbs
UPC-66	30-35 CFM	7 per Nominal Ton	Aluminum	Plastic, White, Paintable	1.25" X 9.25"	4
UPC-67A	30-35 CFM	7 per Nominal Ton	Plastic HDPE, black	Plastic, White, Paintable	1" X 9.25"	2
UPC-68	30-35 CFM	7 per Nominal Ton	Plastic HDPE, black	Plastic, White, Paintable	1" X 9.25"	2



UPC-66 Outlet Assembly, 90 degree, aluminum



UPC-67 Outlet Assembly, 90 degree, plastic



UPC-68 Outlet Assembly, Straight, Plastic

ROUND OUTLETS

PRODUCT FEATURES

Made in both 2" and 2 ½" sizes

All white outlets can be painted to match any décor

The outlets can be supplied from the factory in:

Black

Brass Plated

Chrome Plated

Standard installation and outlet kits come with toggles and screws

Also available in wood (P/N UPC-57), identical in size to the standard outlet except for a solid wood face, which can be stained and finished to match the floor.

Wood outlets are available in a wide variety

In vaulted ceilings the Unico System offers the 2" white plastic outlet with an angled face. The faceplate can be angled at 15 or 25 degrees.

	Recommended Airflow	Recommended Number of Outlets	Outlet Material	Size of Opening	Weight
2" Outlets	30-35 CFM	6 per Nominal Ton	30% Glass Filled Polypropylene	4"	4.2 oz.
2 1/2" Outlets	40-45 CFM	5 per Nominal Ton	30% Glass Filled Polypropylene	5"	5 oz.



UPC-56B-BRS Brass Round Outlet



UPC-56B Standard White Outlet



UPC-57-WL Round Outlet, Walnut



UPC-57-WO, Round Outlet, White Oak



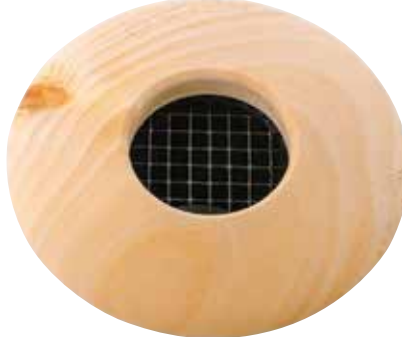
UPC57-PI Round Outlet, Pine



UPC-57-PO Round Outlet, Poplar



UPC57-MH Round Outlet, Mahogany



UPC-57-K Round Outlet, Knotty Pine



UPC-57-M Round Outlet, Maple



UPC-57-C Round Outlet, Cherry



UPC-57-B Round Outlet, Birch



UPC56B-CHR Chrome Round Outlet

SPECIALTY OUTLETS

PRODUCT FEATURES

Firestop Duct Outlet for the 2" Supply Duct

ULC-555C 1-Hour fire rating

Designed for use in the ceiling, floor or wall applications where supply outlets are required by code to have a 1-hour or less F-Rated structure

Designed for static conditions, meaning that the fire suppression system should turn off the air flow in the event of a fire

A special foam outlet will close off above a certain temperature, shutting off the air flow to the rest of the structure

Same size as our UPC56B and is installed in the same manner

Part Number	Recommended Airflow	Recommended Number of Outlets	Angle	Size of Opening	Weight
UPC-56-FR-1	30-35 CFM	6 per Nominal Ton		4"	1
UPC-58-1-15	30-35 CFM	6 per Nominal Ton	15 degrees	4"	1
UPC-58-1-25	30-35 CFM	6 per Nominal Ton	25 degrees	4"	1



UPC5-6-FR -1
Fire Rated Outlet



UPC-58-1-15
Outlet, Sloped, 15
degrees



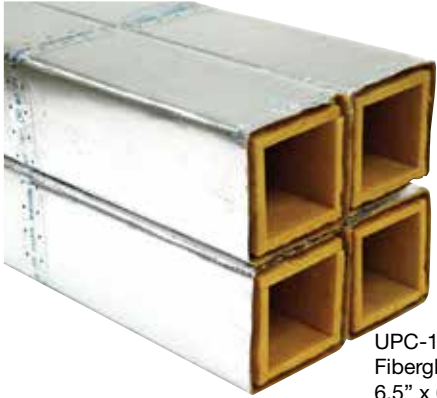
UPC-58-1-25 Outlet,
Sloped, 25 degrees

FIBERGLASS DUCT

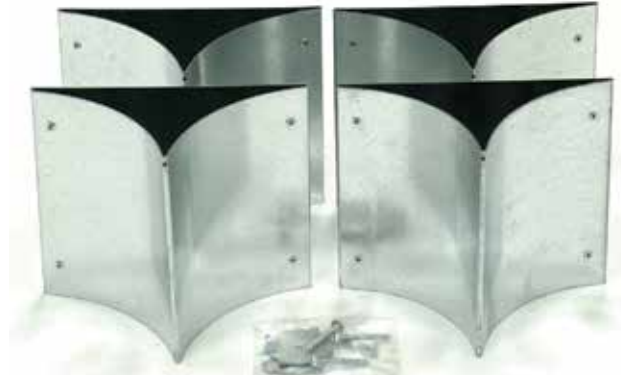
PRODUCT FEATURES

- Square duct in either 6 ½", 8 ½", or 9 ½"
- Ready for installation in four (4) foot lengths, also available unassembled (flat)
- Available in R4.2 and R 6
- Can be used on all Unico Systems
- Tees and elbows are available prefabricated
- Turning vanes are included with the tees
- End caps and tape are also available

Part No.	Description	Dimensions	Qty.	Weight
UPC-11-065S-4	Turning Vane, Square, 6.5"	13" X 13" X 10.5"	4	5
UPC-11-07R-4	Turning Vane, Round 7"	10" X 10" X 11"	4	5
UPC-11-085S-4	Turning Vane, Square, 8.5"	23" X 10" X 11"	4	5
UPC-11-095S-4	Turning Vane, Square, 9.5"	23" X 10" X 11"	4	6
UPC-11-09R-4	Turning Vane, Round 9"	13" X 13" X 10.5"	4	5
UPC-11-10R-4	Turning Vane, Round, 10"	13" X 13" X 10.5"	4	5
UPC-12-065R6-4	Duct, Fiberglass,R6 Square 6.5" X 6.5"	73" X 19" X 19"	4	40
UPC-12-065S-4	Duct, Fiberglass, Square, 6.5" X 6.5"	18" X 18" X 72"	4	30
UPC12-065S6-8F	Duct, Fiberglass 6.5" X 6.5" Flat, Unassembled	34" X 8" X 72"	8	60
UPC12-085R6-4	Duct, Fiberglass, R6, Square 8.5" X 8.5"	73" X 22" X 22"	4	51
UPC12-085S6-4	Duct, Fiberglass, Square, 8.5" X 8.5"	21 1/2" X 21 1/2" X 72"	4	34
UPC-12-085S6-8F	Duct, Fiberglass, 8.5" X 8.5", Flat, Unassembled	42" X 8" X 72"	8	68
UPC-12-095R6-4	Duct, Fiberglass,R6, Square, 9.5" X 9.5"	73" X 24" X 24"	4	56
UPC-12-095S6-4	Duct, Fiberglass, Square 9.5" X 9.5"	24" X 24" X 72"	4	40
UPC-15-065R6-4	End Caps, Fiberglass, for 6.5" R6	11" X 11" X 16"	4	2
UPC-15-065S6-4	End Caps, Fiberglass, for 6.5" R4.2	8" X 8" X 5"	4	1
UPC-15-085R6-4	End Caps, Fiberglass, for 8.5" R6	12" X 12" X 16"	4	2
UPC-15-085S-4	End Caps, Fiberglass, for 8.5" R4.2	10" X 10" X 5"	4	2
UPC-15-095R6-4	End Caps, Fiberglass, for 9.5" R6	12" X 12" X 16"	4	2
UPC-15-095S-4	End Caps, Fiberglass, for 9.5" R4.2	10" X 11" X 17"	4	2
UPC-16V-065R6-4	Tee, Full Flow, R6, Fiberglass, 6.5" (with turning vane)	36" X 25" X 22"	4	20
UPC-16V-065S-1	Tee, Fiberglass, 6.5" X 6.5", Single pack, R4.2	14" X 16" X 9"	1	4
UPC-16V-065S-4	Tee, Fiberglass, 6.5" X 6.5", R4.2	32" X 21" X 18"	4	12
UPC-16V-085R6-4	Tee, Fiberglass, R6, 8.5" X 8.5"	40" X 28" X 24"	4	35
UPC-16V-085S-1	Tee, Fiberglass, 8.5" X 8.5" Single Pack R4.2	29" X 16" X 20"	1	5
UPC-16V-085R6-4	Tee, Full Flow, Fiberglass, R6, 8.5" X 8.5"	27" X 20 1/2" X 47"	4	14
UPC-16V-095S-1	Tee, Fiberglass 9.5" X 9.5", Single Pack, R4.2	44" X 32" X 26"	1	40
UPC-16V-095-4	Tee, Fiberglass, 9.5" Square, 4 pack, R4.2	29" X 16" X 20"	4	6
UPC-17	Tape, Themloc, 3" x 350'	27" X 20 1/2" X 47"	1	15



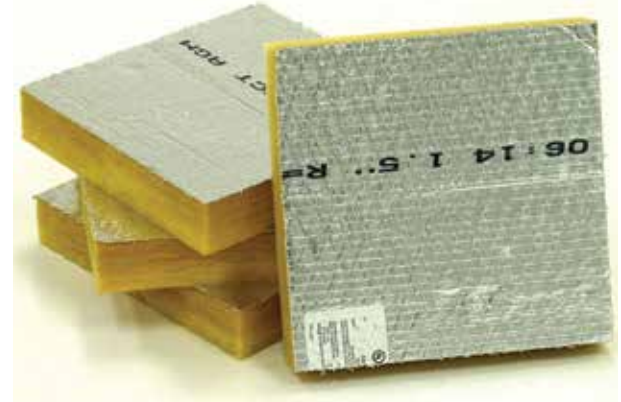
UPC-12-065R6-4
Fiberglass Duct R-6,
6.5" x 6.5"



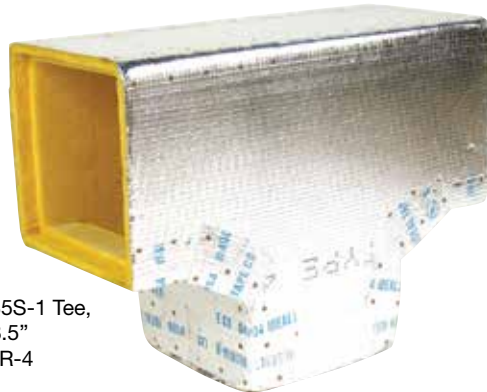
UPC-1-065S-4 Turning Vane



UPC-18-085S-1 Elbow,
Fiberglass, 8.5"
Single Pack R-4



UPC-15-08R6-4 End Caps, Fiberglass for 8.5" R-6 Duct



UPC-16V-085S-1 Tee,
Fiberglass, 8.5"
Single Pack R-4

UPC-18-065SR6-4	Elbow, Fiberglass, R6.5 Square 4 Pack	8" X 8" X 4"	4	2
UPC-18-065S-1	Elbow, Fiberglass, R4.2, 6.5 Square Single Pack	26" X 25" X 24"	1	14
UPC-18-065S-4	Elbow, Fiberglass R4.2, Square 4 Pack	14" X 14" X 9"	4	2
UPC-18-085R6-4	Elbow, Fiberglass R6, 8.5" Square, 4 Pack	30" X 18" X 18"	4	9
UPC-18-085S-1	Elbow, Fiberglass R4.2, 8.5" Square Single Pack	26" X 25" X 27"	1	20
UPC-18-085S-4	Elbow, Fiberglass, R4.2, 8.5" Square, 4 Pack	29" X 16" X 20"	4	3
UPC-18-095R6-4	Elbow, Fiberglass, R6, 9.5" Square 4 Pack	24" X 23 1/2" X 45"	4	15
UPC-18-095S-1	Elbow, Fiberglass, R4.2, 9.5" Square, Single Pack	32" X 20" X 26"	1	22
UPC-18-095S-4	Elbow, Fiberglass, R4.2, 9.5" Square, 4 Pack	29" X 16" X 20"	4	3

Can be used on all Unico Systems
Tees and elbows are available prefabricated
Turning vanes are included with the tees
End caps and tape are also available

METAL DUCT

PRODUCT FEATURES

Prefabricated 28 gauge metal

Includes

Full Flow Tees

Full Flow Elbows

End Caps

Insulation sleeves

Available in 7", 9" and 10"

GALVANIZED DUCT PIECES

PART NO.	DESCRIPTION	QTY (PER BOX)	DIMENSIONS	WEIGHT (LBS.)
USM-01	DUCT, GALVANIZED 7" X 5' 28 GA	10	11" X 11" X 63"	75
USM-02	DUCT, GALVANIZED 9" X 5' 28 GA	10	11" X 11" X 63"	85
USM-03	ELBOW, GALVANIZED 7" 28 GA.	12	23" X 19" X 22"	16
USM-04	ELBOW, GALVANIZED 9" 28 GA.	12	28" X 24" X 23"	24
USM-05	END CAP UNCRIMPED 7" ID	12	23" X 19" X 22"	22
USM-06	END CAP UNCRIMPED 9" ID	12	23" X 19" X 22"	22
USM-07	TEE, GALVANIZED 7" ID	4	30" X 23" X 32"	11
USM-08	TEE, GALVANIZED 9" ID	4	30" X 23" X 32"	11
USM-09	TEE, REDUCING 9" X 7" X 7"	4	30" X 23" X 32"	11
USM-10	INSULATION SLEEVE 7" X 5' X 2" (R8)	12	25" X 18" X 18"	22
USM-11	INSULATION SLEEVE 9" X 5' X 2" (R8)	12	25" X 18" X 20"	26
USM-12	REDUCER 9" X 7"	12	18" X 18" X 20"	11
USM-13	DUCT, GALVANIZED 10" X 5' 28 GA	10	12" X 12" X 63"	95
USM-14	ELBOW, GALVANIZED 10"	12	24" X 25" X 35"	26
USM-15	TEE, GALVANIZED 10"	4	30" X 23" X 32"	24
USM-16	INSULATION SLEEVE 10" X 5' X 2" (R8)	12	32" X 12" X 28"	29
USM-17	REDUCER 10" X 9"	12	28" X 24" X 23"	29
USM-18	END CAP 10"	12	23" X 19" X 22"	22
USM-19	TEE, GALVANIZED REDUCER 10" X 9" X 9"	4	30" X 23" X 32"	11



USM-03 Elbow, Galvanized, 7" ID



USM-14 Elbow, Galvanized 10"



USM-07 Tee, Galvanized 7" x 7" x 7"



USM-16 Insulated Sleeve, Silver 10" ID x 5' X 2"



USM-13 Duct, Galvanized 10" ID X 5' 28 gauge



USM-18 End Cap, Galvanized 10"

SUPPLY TUBING

PRODUCT FEATURES

The Supply duct is offered in two inside diameters, 2" and 2 ½".

There are two styles of supply duct:

- Sound Attenuator tubing, sold in 12' lengths

- Aluminum Core tubing, sold in 25' lengths

They are all available in R3.3, R4.2, R6 and R8 insulation

Both styles of duct can be cut to length as needed

The inner core layer of the tubing is either:

- Two-ply corrugated aluminum

- Spun bound nylon

The outer jacket for all is made of a two-ply reinforced reflective mylar; providing a vapor seal to prevent leakage and moisture migration and increases the insulation factor by reducing the radiant heat transfer. A fiberglass blanket insulation then fills the void between the jacket and the core

The R3.3 and R4 duct have one insulation layer and vapor barrier.

The R6 and R8 have two layers of insulation and a double vapor seal

Part No.	Description	Dimensions	Qty.	Weight
UPC-25-1	Supply Tubing, 2" x 25'	32" X 31" X 4"	1	9
UPC-25-4	Supply Tubing, 2" x 25'	31" X 15" X 31"	4	30
UPC-25R4-4	Supply Tubing, 2" x 25' R4.2	32" X 30" X 15"	4	58
UPC-25R6-4	Supply Tubing, 2" X 25' R6	37" X37" X 32"	4	58
UPC-25R8-4	Supply Tubing, 2" X 25' R8	37" X37" X 32"	4	61
UPC-26C-6	Sound Attenuator, 2" X 12'	24" X 24" X23"	6	28
UPC-26CR4-6	Sound Attenuator, 2" X 12' R4.2	24" X 24" X23"	6	32
UPC-26CR6-6	Sound Attenuator, 2" X 12' R6	26" X 26" X 33"	6	36
UPC-26CR8-6	Sound Attenuator, 2" X 12' R8	26" X 26" X 33"	6	40
UPC-225-1	Supply Tubing, 2.5" X 25' 1 Pcs	32" X 31" X 4"	1	9
UPC-225-3	Supply Tubing, 2.5" X 25' 3 Pcs	32" X 34" X 12"	3	30
UPC-225-R4-3	Supply Tubing 2.5" X 25' 3 Pcs R4.2	32" X 34" X 12"	3	58
UPC-225-R6-3	Supply Tubing, 2.5" X 25' 3 Pcs. R6	38" X 38" X 19"	3	58
UPC-225-R8-3	Supply Tubing, 2.5" X 25' 3 Pcs. R8	38" X 38" X 19"	3	61
UPC-226-5	Sound Attenuator, 2.5" X 12'	24" X 24" X23"	5	28
UPC-226-R4-5	Sound Attenuator, 2.5" X 12' R4.2	24" X 24" X23"	5	32
UPC-226-R6-5	Sound Attenuator, 2.5" X 12' R6	26" X 26" X 33"	5	36
UPC-226-R8-5	Sound Attenuator, 2.5" X 12' R8	26" X 26" X 33"	5	40



UPC-25-1



UPC-26C-6



UPC-225-3



UPC-226-5

SINGLE OUTLET KITS

PRODUCT FEATURES

Includes all parts and pieces to make one (1) supply outlet

Can be ordered for fiberglass or metal plenum (ductwork)

Includes the following items and quantities

- 1 12 foot long sound attenuator duct
- 1 Supply outlet (white)
- 2 Sound Attenuating tubing clamps (used to attach the supply tubing to the outlet and the take-off)
- 2 Aluminum core tubing clamps (used to attach the aluminum core tubing to the take-off and coupler)
- 2 Toggles and screws (for mounting the supply outlet to a ceiling)
- 1 Winter Supply shutoff (used to prevent cold air from causing condensation in the attic)

Single Supply Outlet Kit UPC-80M-1 / UPC-80F-1

Qty.	Item	Description
1	Supply Outlet	White Plastic Outlet (Standard Outlet)
2	"575" Clamps	Clamps for attaching the sound attenuating tubing to the outlet and the takeoff
2	"605" Clamps	Clamps for attaching the aluminum core tubing to the outlet and the takeoff
1	Winter Supply Shutoff	Blocks air flow in the cold weather to prevent condensation
1	Coupling with tape rings	For supply tubing runs over 12 ft.
2	Toggles and Screws	To attach the white plastic outlet to a ceiling
1	Balancing Orifice	Reduces air flow by 15, 35 or 50%
1	Fiberglass Spin-in Takeoff	Attaches the supply tubing to the fiberglass plenum*
1	Metal take-off with gasket	Attaches the supply tubing to the metal plenum**

* Used only with fiberglass plenum

** Used only with metal plenum



UPC-80M-1, Outlet Kit, Metal Plenum including the following part numbers

One 12' Sound Attenuator

One Supply Outlet, white

Two Scrim Core Clamps

Two Supply Tubing Clamps

Two Toggles and Screws

One Winter Supply Shutoff

One Coupling with Tape Rings

One Balancing Orifice Kit

One Metal Take-Off with Gasket and Tape Ring

INSTALL KITS

PRODUCT FEATURES

Unico Installation kits are available for either metal or fiberglass duct

Each installation kit comes all parts and accessories needed to make a Unico System installation

Standard white supply outlets are included, which now have a left-handed spin in fitting for easier installation

Clamps for both sound attenuator tubing and aluminum core tubing are included

Installation kits are sold in packages of six (6), to make a total of six (6) two inch connections. This is also the minimum number of outlets needed per ton

Qty.	Item	Description
6	Supply Outlet	White Plastic Outlet (Standard Outlet)
12	"575" Clamps	Clamps for attaching the sound attenuating tubing to the outlet and the takeoff
12	"605" Clamps	Clamps for attaching the aluminum core tubing to the outlet and the takeoff
6	Winter Supply Shutoff	Blocks air flow in the cold weather to prevent condensation
6	Coupling with tape rings	For supply tubing runs over 12 ft.
12	Toggles and Screws	To attach the white plastic outlet to a ceiling
1	Balancing Orifice	Reduces air flow by 15, 35 or 50%
6	Fiberglass Spin-in Takeoff	Attaches the supply tubing to the fiberglass plenum*
6	Metal take-off with gasket	Attaches the supply tubing to the metal plenum**

* Used only with UPC89F-6

** Used only with UPC89M-6



UPC-89F-6

Six Supply Outlets White

Twelve (12) Scrim Core Clamps

Twelve (12) Supply Tubing Clamps

Twelve (12) Toggles and Screws

One Balancing Orifice Kit

Six Winter Supply Shutoffs

Six Couplings with Tape Rings

Six Metal Take-Offs with Gasket and Tape Ring

ELECTRIC FURNACES

PRODUCT FEATURES

Available from 2 to 20 KW

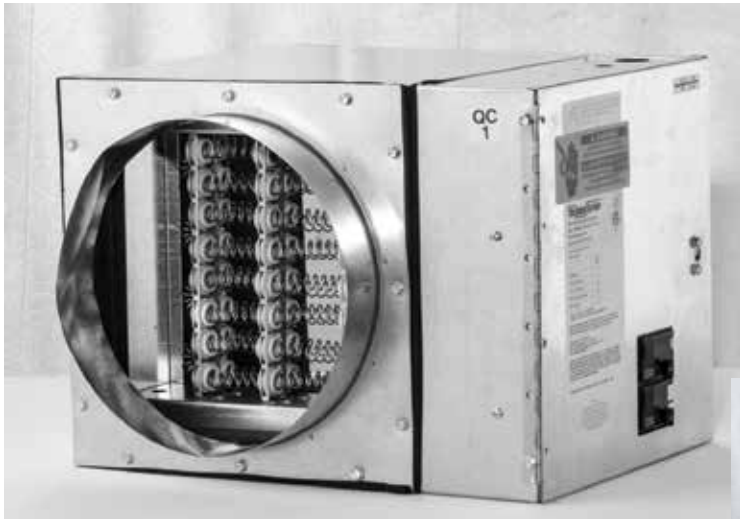
Can be used as either primary or auxiliary heating

Features:

- Galvanized insulated sheet metal cabinet enclosure
- Line level auto limit primary safety set at 165F
- Line level fuse link back-up safety
- Fan interlock control
- Low air flow pressure switch
- Circuit breakers on all units
- Time delay sequencers for a gradual “stepped” power draw, allowing for a softer start
- Low voltage (24v) terminal strip
- Specially designed for use with SDHV
- Single Supply (all units) or dual supply (15 and 20 KW units)

ELECTRIC FURNACE

MODEL NO.	NOMINAL KW RATING	UNICO SYSTEM MATCHUP	MIN. AIRFLOW(CFM)	LENGTH
WON0202-B	2	ALL SIZES	200	13"
WON0502-B	5	ALL SIZES	250	13"
WON0752-B	7.5	ALL SIZES	300	16"
WON1002-B	10	M2430, M3036, M3642, M4860	500	16"
WON1502-B	15	M2430, M3036, M3642, M4861	600	21"
WON2002-B	20	M3036, M3642, M4860	800	24"



WON0502-B



WON1502-B



WON1002-B



WON2002-B

THERMOSTATS

PRODUCT FEATURES

Unico thermostats have easy-to-view, large blue displays for easy programming

A00915-G03/4

- Quick one-button programming
- Configures as manual heat/cool, auto changeover, heat only, or cool only
- Exclusive Cool Savings feature saves energy during peak A/C demand periods
- Hydronic 2 or 3 wire applications
- Three anticipation settings
- Exclusive battery power monitor
- Longer battery life
- Easy-access battery compartment
- 5-Year Warranty

A00915-G05

- All of the above features plus large square blue touchscreen display with 10 second backlight
- Dual fuel heat pump control
- Programmable fan
- Circulator fan cycling
- Automatic daylight savings option



A00915-G03: Single Stage Programmable Thermostat



A00915-G04 Two Stage Programmable Thermostat



A00915-G05 Two Stage Programmable Thermostat with Touch Screen

MISCELLANEOUS PARTS

PRODUCT FEATURES

“Thermolock” Tape, can withstand up to 4" w.c. static pressure, sold in 350' rolls

Turbometer: Only tool recommended for checking the airflow at the outlet for the Unico System. Batteries ARE included

Plaster Frame Kit: Makes installation of Unico Outlets in new construction and “gut” rehab’s easy, allows the Unico installer to finish his job and let the drywall contractor know where to cut the outlets

“Cookie Cutter” Sharpened duct connector, easily cuts a hole for use with fiber-glass duct installations

Starting Collar: Available for either round or square plenum

Plastic Outlet Balancing Kits: Allows the user to “fine-tune” the airflow at the outlet, especially if there is a big difference between a heating and a cooling load

Hardware Screens: Available in white and unpainted and for the 2" and 2½" outlets, these prevent any unwanted debris from entering the Unico System

Deflector: If an outlet is in an objectionable position, such as directly over someone or something that moves, the deflector cancels the aspiration effect and spreads the air across the ceiling

Mild Weather Kits: Ensure the proper operation of heat pump systems on cooler days by keeping the head pressure to an acceptable level

UPC-17: Thermolock tape, 3" x 350'

Turbometer, measures air flow

UPC-61-1218 Starting Collar, Round for U1218

UPC-61-2430 Starting Collar, Round for M2430

UPC-61-3036 Starting Collar, Round for M3036

UPC-61-3642 Starting Collar, Round for M3642

UPC-61-4860 Starting Collar, Round for M4860

UPC-62-1218 Starting Collar, Square for U1218

UPC-62-2430 Starting Collar, Square for M2430

UPC-62-3036 Starting Collar, Square, for M3036

UPC-62-3642 Starting Collar, Square for M3642

UPC-62-4860 Starting Collar, Square for M4860

UPC-55-5 “Cookie Cutters”

UPC-35-15 Take-off balancing orifice package

UPC-235-15 Take-off balancing orifice package for 2 ½" duct

UPC-65X Mild Weather Kit

UPC-54 Clamp Pliers

UPC-45-5 Deflector Kit

UPC-245-5 Deflector Kit for 2 ½" outlets

UPC-86-5 Plaster Frame Kits



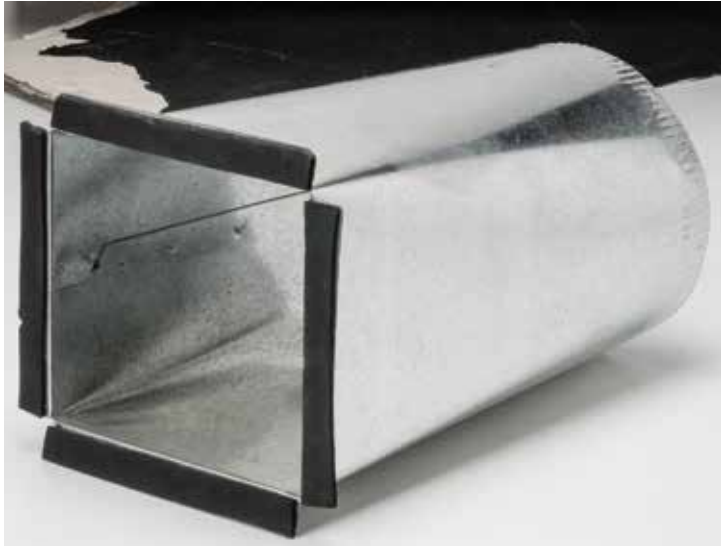
Turbometer: Air Flow Meter



UPC-17: Tape, "Thermoloc", 3" X 350'



UPC-55-5 "Cookie Cutters" for Fiberglass Duct, Five per Package



UPC61-2430 Starting Collar for Round Plenum



UPC6-2-2430 Starting Collar for Square Plenum

Warranty Policy

1. All Unico, Inc. supplied products, including the new iSeries range, ALWAYS include a STANDARD one year warranty on all parts from day of final commissioning.
2. An EXTENDED (five year) warranty will be provided for a contractor under the following criteria and under the same limited terms of Unico's STANDARD warranty:
 - a. To qualify for a five year warranty, contractors need to be approved by the local Unico System sales representative and the contractor's main distributor.
 - b. Contractors who currently qualify for a five year warranty on their projects will continue to receive the five year warranty on all Unico System only installations.
 - c. Contractors, who don't currently have a five year warranty, but who would like to receive a five year warranty on Unico System, will need to take and pass Unico: Comprehensive Class on Unico University (<https://go.bluevolt.com/unico/CourseDetail/Unico-Comprehensive-Class/50133>), to be considered.
 - d. All contractors who would like to receive a five year warranty on the iSeries, will need to take and pass Unico: iSeries on Unico University (<https://go.bluevolt.com/unico/CourseDetail/Unico-I-Series/50566>), to be considered.
 - e. Only projects that have been registered on The Unico System web site (<http://www.unicosystem.com/product-warranty/>) by an approved contractor will be eligible for a five year warranty.
3. Warranties – whether STANDARD or EXTENDED – are good only from day of final commissioning.
4. Unico reserves the right at its sole discretion to deny an EXTENDED warranty that does not meet the contractor qualification terms or is not designed and installed per the manufacturers requirements as stated in Unico's STANDARD limited warranty.

Company Policy

Lead Time: Orders shipped within 10 working days after receipt.

Expedited Shipments: There will be a \$25.00 charge on all orders that are requested to ship Next Day and 2nd Day. All orders will receive confirmation via fax or e-mail within 24 hours of receipt and will include an anticipated shipment date from St. Louis, MO.

Minimum Order Charge: All orders will be subject to a \$50.00 minimum order charge.

Freight Terms: Unico, Inc. will pay freight for delivery to a SINGLE location in the continental U.S. for all orders received in excess of \$25,000. If an order is a split shipment that is \$25,000 net, Unico, Inc. will pay the freight to the first location and the distributor is responsible for a \$150 drop-off fee, per location, from the first location to subsequent locations within 250 miles of the original drop-off location.

Invoice Payment Terms: 1% 10 days or net 30 days.

Past-Due Terms: An invoice is considered past-due 31 days after the invoice date and subject to a 1.5% monthly service charge.

Special Pricing Policy: A discount of 10% is available for personal use projects. This discount applies to the participating distributor's standard multiplier, that is approved in advance by Unico, Inc. Unico, Inc. strongly recommends that no mark-up be placed on this amount in order that the discount offered by Unico, Inc. is passed along to the end-user; however, this is completely at the purchasing distributor's discretion. All applications for Special Pricing discounts should be submitted and approved in writing in advance of purchase; otherwise, they will not be accepted. Any discounts offered by the distributor for product previously purchased and in stock at the distributor's location will be at the sole discretion of the distributor and Unico, Inc. assumes no obligation for these product sales.

Notes

OTHER HVAC COMPANIES REALLY DON'T WANT YOU TO CUT OUT THIS OUTLET.

That's because when you place it on your floor, ceiling, or wall, you will begin to understand the simplicity of adding Unico System air conditioning to your home. In addition to outlets that are barely noticeable, the Unico System's air handlers and flexible supply tubing fit simply above ceilings and below floors, which means no ugly soffits, no noisy registers, and virtually no need for remodeling in homes without ductwork. You will enjoy the efficient, comfortable surroundings found only with the industry-leading Unico System.

To find a Unico System installing contractor in your area, visit unicosystem.com/contractor or call (800) 527-0896



iSERIES

The Unico System®

Unico, Inc.
1120 Intagliata Drive
Arnold, MO 63010
+1 800 527 0896 • +1 314 481 9000
www.unicosystem.com



Unico, Inc. manufacturing plant and sub-assembly plant

Unico, Inc. is the leader in Small Duct High Velocity (SDHV) heating and cooling systems and other high-end HVAC systems. The company manufactures all of its products in St. Louis MO, with over 200,000 square feet of modern manufacturing plants. The company is well known for extensive use in older, architecturally unique homes and buildings as well as elite, high end custom homes. The company is family owned and operated and sells in all 50 United States, all provinces of Canada, and in over 28 countries around the world.



National Trust for
Historic Preservation
Save the past. Enrich the future.

