

## REPLACEMENT PARTS FOR GAS-FIRED UNIT HEATERS

### MODELS UBXC AND UDXC



### TABLE OF CONTENTS

SERIAL NUMBER.....	2
ELECTRICAL COMPONENTS.....	2
FAN AND MOTOR ASSEMBLY COMPONENTS (MODEL UDXC).....	6
BLOWER COMPONENTS (MODEL UBXC).....	7
CABINET COMPONENTS.....	14
HEAT EXCHANGER AND BURNER ASSEMBLY COMPONENTS.....	17
VENTER AND FLUE WRAPPER COMPONENTS.....	19
ACCESSORIES/OPTIONS.....	22

### IMPORTANT

1. Always include complete model and serial number so that any specification change can be considered for parts replacement. It can save time and expense.
2. In keeping with our policy of continuous product improvement, we reserve the right to alter any information shown here. Specifications are subject to change without notice.
3. We reserve the right to substitute functional replacements.
4. Order by Part Number (PN) not by option designation.

## SERIAL NUMBER

**NOTE:** The serial number is located on the unit's rating plate.

Decode serial numbers as follows:

Serial number sample: **BOG 3062 00000**  
 Elements key number: **1 | 2 | 3**

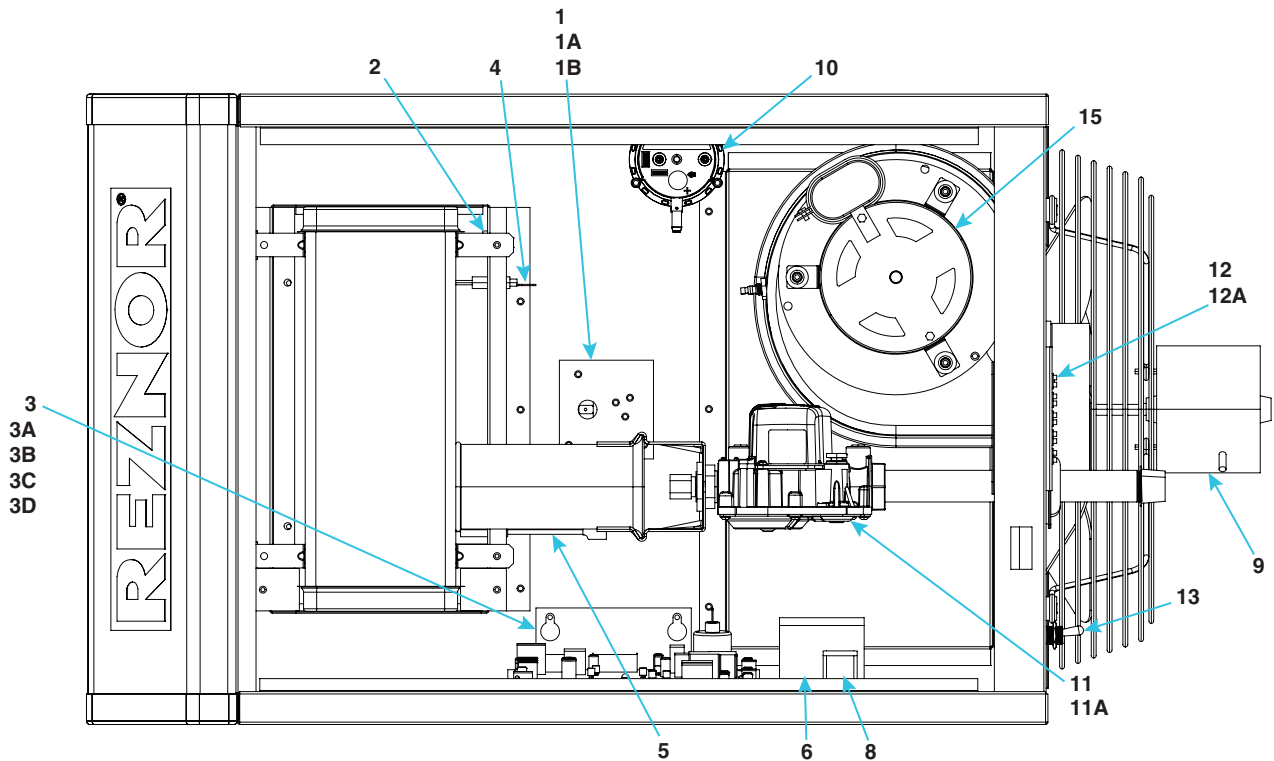
**Key:**

- 1 = Date code (refer to Table 1)**
- 2 = Plant of manufacture (3062 = Monterrey)**
- 3 = Consecutive number**

**Table 1. Serial Number Date Codes (Month and Year)**

Year	Month											
	JAN	FEB	MAR	APR	MAY	JUN	JUL	AUG	SEP	OCT	NOV	DEC
2024	BXA	BXB	BXC	BXD	BXE	BXF	BXG	BXH	BXI	BXJ	BXK	BXL
2025	BYA	BYB	BYC	BYD	BYE	BYF	BYG	BYH	BYI	BYJ	BYK	BYL
2026	BZA	BZB	BZC	BZD	BZE	BZF	BZG	BZH	BZI	BZJ	BZK	BZL
2027	CAA	CAB	CAC	CAD	CAE	CAF	CAG	CAH	CAI	CAJ	CAK	CAL
2028	CBA	CBB	CBC	CBD	CBE	CBF	CBG	CBH	CBI	CBJ	CBK	CBL
2029	CCA	CCB	CCC	CCD	CCE	CCF	CCG	CCH	CCI	CCJ	CCK	CCL
2030	CDA	CDB	CDC	CDD	CDE	CDF	CDG	CDH	CDI	CDJ	CDK	CDL
2031	CEA	CEB	CEC	CED	CEE	CEF	CEG	CEH	CEI	CEJ	CEK	CEL
2032	CFA	CFB	CFC	CFD	CFE	CFF	CFG	CFH	CFI	CFJ	CFK	CFL
2033	CGA	CGB	CGC	CGD	CGE	CGF	CGG	CGH	CGI	CGJ	CGK	CGL
2034	CHA	CHB	CHC	CHD	CHE	CHF	CHG	CHH	CHI	CHJ	CHK	CHL
2035	CIA	CIB	CIC	CID	CIE	CIF	CIG	CIH	CII	CIJ	CIK	CIL

## ELECTRICAL COMPONENTS



**Figure 1. Typical Control Compartment (Refer to Table 2 and Table 3)**

**Table 2. Electrical Components (Unit Sizes 30–125)**

Item No.	Component	Description	Model	Unit Size (MBTUh)					
				30	45	60	75	100	125
				PN					
1	Limit switch	High temperature, auto-reset	UBXC	96512	201962	82091	82091	96512	201961
			UDXC		85449	45602		45602	
1A	Plate	Limit switch	Both	170025					
1B	Bracket		UBXC	201771					
			UDXC	170026					
2	Flame rollout switch, manual reset	210°F/-31°F, violet*	UDXC	197033	—	—	—	—	—
		225°F/-31°F, red*		—	196949	196949	—	—	
		250°F/-31°F, yellow*		—	—	—	196950	—	
3	Circuit board	DSI control module	Both	1033741					
3A	Fuse**	Circuit board		201685					
3B	Harness	Wiring, 9-pin		1033745		1033746		1033747	
3C	Bracket	Mounting		195551					
3D	Gasket	Mounting bracket		195664					
4	Sensor	Flame		195292					
5	Ignitor	Electrode assembly		175272					
6	Transformer	30VA, 115V		175265					
		Multiple unit control		Refer to <a href="#">Table 31</a>					
7		Stepdown (not shown)		Refer to <a href="#">Table 28</a>					
8	Not used								
9	Fan and motor	Assembly	UDXC	Refer to <a href="#">Table 4</a>					
10	Pressure switch (combustion air proving)	0–6000 feet	UBXC	196388	197032	197029	169388	197032	197029
			UDXC	197028	196388	197030	197032	196388	197078
		>6000 feet	UBXC	197032	197030	196362	197032	197030	196362
			UDXC	197029	197032	197031	197030	197032	1034237
11	Gas valve, single-stage	Natural gas, 1/2 x 1/2	Both	260603					
		Propane, 1/2 x 1/2		263999					
11A	Gas valve, two-stage	Natural gas, 1/2 x 1/2		—	197066		197066		
		Propane, 1/2 x 1/2		197064		197064			
12	Terminal board	24V, 5-pole		196813					
12A	Gasket	Terminal board		196327					
13	Switch	Disconnect		101902					
14	LED status indicator	Green (not shown)		1024436					
15	Venter wheel and motor	Assembly		Refer to <a href="#">Table 18</a>					
16	Switch	Door safe (not shown)		Refer to separated-combustion conversion instructions provided with conversion kit					

\*The color listed is the color of the identifying dot on the label.

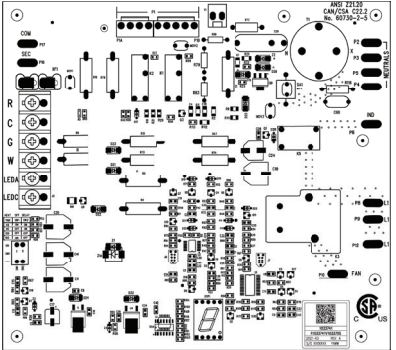


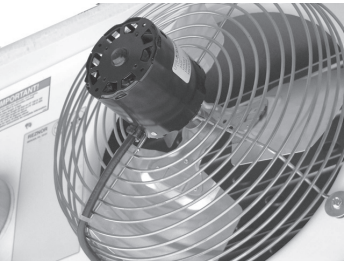








\*\*May be replaced with field-supplied type ATC or ATO 3-amp fuse (color code: violet).

## ELECTRICAL COMPONENTS—CONTINUED

<b>Table 3. Electrical Components (Unit Sizes 150–400)</b>											
Item No.	Component	Description	Model	Unit Size (MBTUh)							
				150	175	200	225	250	300	350	400
PN											
1	Limit switch	High temperature, auto-reset	UBXC	82091	201961	201962	82091		202048	85449	201962
			UDXC	45602	82091				100799		82091
1A	Plate	Limit control	Both	170025							
1B	Bracket		UBXC	170026	201771		170026	202701			
			UDXC	170026				170026			
2	Not used										
3	Circuit board	DSI control module	Both	1033741							
3A	Fuse**	Circuit board		201685							
3B	Harness	Wiring, 9-pin		1033748		1033749		1033750			
3C	Bracket	Mounting		UDXC	195294						
			UBXC	202736							
3D	Gasket	Mounting bracket	Both	195669							
4	Sensor	Flame		195292							
5	Ignitor	Electrode assembly		175272							
6	Transformer	30VA, 115V	UDXC	175265							
		40VA, 208–230V/1PH	Both	194536							
		40VA, 208–230V/3PH	UBXC	194536							
		350VA, 208–230V**		257302							
		Multiple unit control	Both	Refer to <a href="#">Table 31</a>							
7		Stepdown (not shown)		Refer to <a href="#">Table 28</a>							
8	Fan motor capacitor	With option AL1	UDXC	207448				217031			
		With option AL14		195643				—	195643		
		5µF, with option AL14						195642			
		7.5µF, with option AL14		—				195643		—	
		15µF, with option AL14						217031			
9	Fan and motor	Assembly	Refer to <a href="#">Table 4</a>								
10	Pressure switch (combustion air proving)	0–6000 feet	UBXC	197030	201158	201158		201161		201161	
			UDXC	197031	197030			201158			
		>6000 feet	UBXC	197031	201160	201160		273553		273553	
			UDXC	1034349	197031			201160			
11	Gas valve, single-stage	Natural gas, 1/2 × 1/2	Both	260603				—			
		Propane, 1/2 × 1/2		263999							
		Natural gas, 3/4 × 3/4		—				196981			
		Propane, 3/4 × 3/4						196983			
11A	Gas valve, two-stage	Natural gas, 1/2 × 1/2	Both	197066				—			
		Propane, 1/2 × 1/2		197064							
		Natural gas, 3/4 × 3/4		—				197067			
		Propane, 3/4 × 3/4						197065			
12	Terminal board	24V, 5-pole	196813								
12A	Gasket	Terminal board	196327								
13	Switch	Disconnect	101902								
14	LED status indicator	Green (not shown)	1024436								
15	Venter wheel and motor	Assembly	Refer to <a href="#">Table 19</a>								
16	Switch	Door safe (not shown)	Refer to separated-combustion conversion instructions provided with conversion kit								

\*May be replaced with field-supplied type ATC or ATO 3-amp fuse (color code: violet).

\*\*For 230V units only—used to power the control board and inducer motor.

<p><b>Item 1: High Temperature Limit Switch, Auto-Reset</b></p> <p><b>Item 1A: Bracket</b></p> <p><b>Item 1B: Plate</b></p>	<p><b>Item 2: Flame Rollout Switch, Manual Reset</b></p>	
<p><b>Item 3: Circuit Board</b></p> 	<p><b>Item 4: Flame Sensor</b></p> 	<p><b>Item 6: Transformer</b></p> 
<p><b>Item 9: Fan and Motor Assembly</b></p> 	<p><b>Item 5: Ignitor</b></p> 	<p><b>Item 7: Stepdown Transformer</b></p>   <p><b>350VA</b></p>
<p><b>Item 10: Pressure Switch</b></p> 	<p><b>Items 11 and 11A: Gas Valve</b></p>   <p><b>Single-Stage</b>                      <b>Two-Stage</b></p>	
<p><b>Item 12: Terminal Board</b></p> 	<p><b>Item 13: Disconnect Switch</b></p> 	

**Figure 2. Individual Electrical Components (See Locations in [Figure 1](#))**

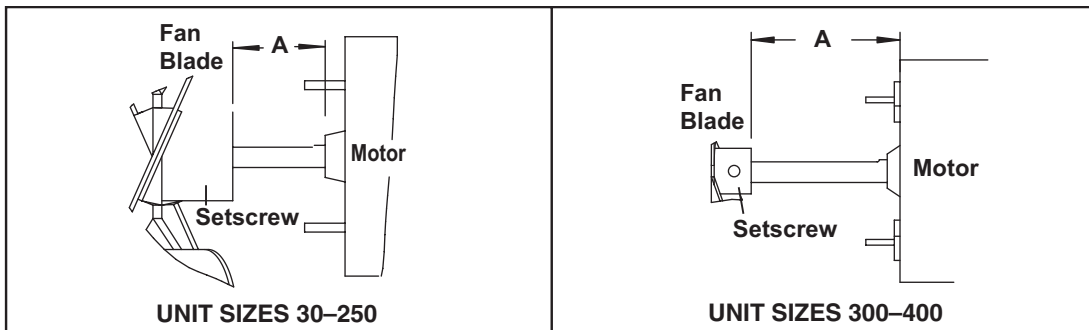
## FAN AND MOTOR ASSEMBLY COMPONENTS (MODEL UDXC)

**NOTE: Hardware listed below without a PN is field-supplied.**

Table 4. Fan and Motor Assembly Components														
Component	Description	Unit Size (MBTUh)												
		30	45	60	75	100	125	150, 175	200	225	250	300	350	400
		PN/Specification												
Blade	Fan	195644	195645	195646	195647	195648	195649	195679	195680	195681	195682	195683	209122	209121
Fan guard*	Close mesh	175266		175267		195047		170084		170085		170086		
Bushing		196349						96451						
Isolator		196348												
Clip		54633												
Screw**		Sheet metal, #10-16 x 3/4, AB hex head, zinc-plated						Sheet metal, 1/4-14 x 1-1/4, B hex head, zinc-plated						
Fan motor	115V, open	196240	196241	196242	196243	196244	271461				196247			
	115V, TEFC*	203310				203724		196824				196825		
Flat washer	Fan motor	3/4 OD x 3/16 ID x 1/8 thick, steel												
Locknut	(quantity 4)	#8-32, grade 5, zinc-plated with nylon insert												
Capacitor, fan motor	115V, 7.5µF***	—						195643				—		
	115V, 10µF							207448						
	115V, 15µF*							—						
*The fan guard spacing is 1/2-inch (13 mm).														
**Torque to 30 inch-pounds.														
***Option AL14.														

Table 5. Fan and Motor Assembly Specifications												
Setscrew Torque (Inch-Pounds ±10)												
80				120				130				
Unit Size (MBTUh)												
30	45	60	75	100	125	150	175	200	225, 250, 300	350	400	
Dimension A (Inches (mm))*												
1 (25)	9/16 (14)	1-1/2 (38)	2-1/8 (54)	2-3/8 (60)	2-5/16 (59)	2-3/8 (60)	2-1/8 (54)	1-5/8 (41)	2 (51)	1-7/8 (48)	1-3/8 (35)	

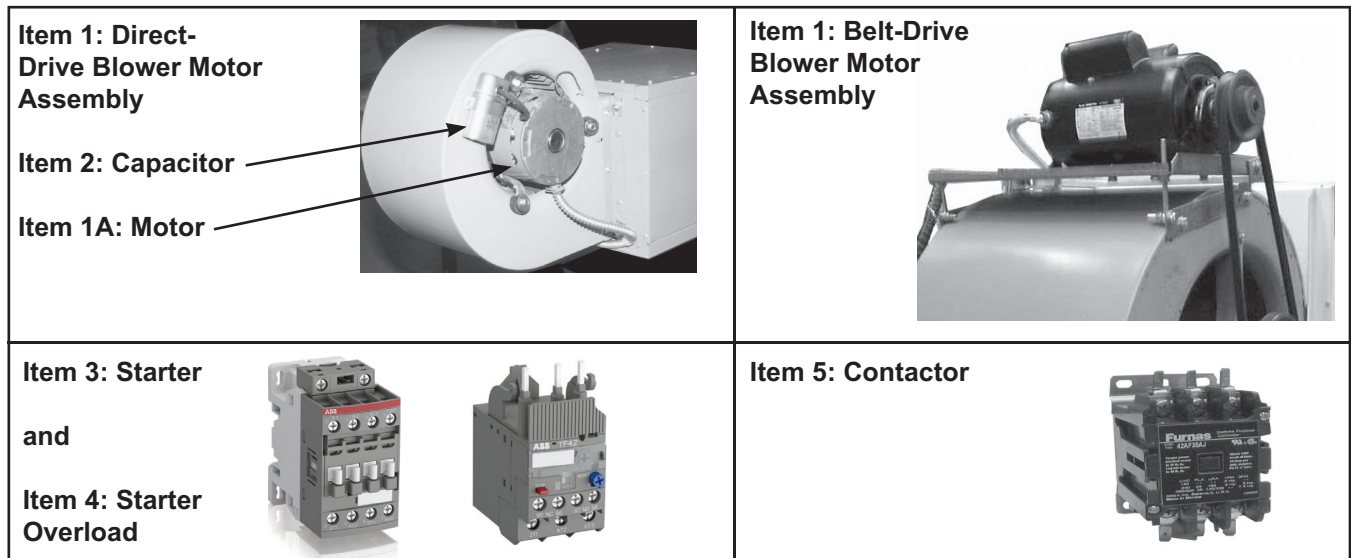
\*See [Figure 3](#).



**Figure 3. Fan Spacing**

## BLOWER COMPONENTS (MODEL UBXC)

**NOTE:** Motors that don't list a contactor in [Table 7](#) or [Table 8](#) require a starter. If a contactor is listed, the starter is optional.



**Figure 4. Individual Blower Components (Refer to [Table 6](#), [Table 7](#), and [Table 8](#))**

<b>Table 6. Direct-Drive Blower Motor Assembly Components (Unit Sizes 30–125)</b>										
Item No.	Component	Description	Unit Size (MBTUh)							
			30	45	60	75	100	125		
			PN (Quantity)*							
1	Motor assembly	Direct-drive	202731		202732		202733			
1A	Motor, direct-drive	1/6-HP	201760		—		—			
		1/3-HP	—		201761		—			
		3/4-HP	—		—		201762			
1B	Motor band	51221								
1C	Support arm	51223 (3)				220629 (3)				
1D	Capscrew, hex head	1/4-20 × 1-1/2 long	51231							
1E	Nut, keps	1/4-20	7328							
1F	BX cable	3/8 × 30 long	2889				—			
		3/8 × 43 long	—				174387			
1G	Bushing	Anti-short	16358 (quantity = 2)							
2	Capacitor	370V, 5µF	101917		—					
		370V, 7.5µF	—		101918		—			
		370V, 15µF	—		—		201763			
2A	End cap	Capacitor	82113							
2B	Bracket	Capacitor strap	82114							

\*Quantity is one (1) unless otherwise indicated.

<b>Table 7. Open-Type Belt-Drive Blower Motor Assembly (Unit Sizes 150–400)</b>									
HP	Phase	Voltage	Voltage Option	Item 1A: Motor		Item 3: Starter	Item 4: Starter Overload		Item 5: Contactor
				FLA	PN	PN	Amp Range	PN	PN
1/4	1	120	AK1	5.20	210611	1036971	4.20–5.70	1036933	119626
		208	AK2	2.60	210611	1036971	2.30–3.10	1036931	119627
		240	AK3						
	3	208	AK5	1.30	115864	1036971	1.30–1.70	1036929	—
		240	AK6	1.00			1.00–1.30	1036928	
		480	AK7	0.60			0.55–0.74	1036926	

## BLOWER COMPONENTS (MODEL UBXC)—CONTINUED

<b>Table 7. Open-Type Belt-Drive Blower Motor Assembly (Unit Sizes 150–400)—Continued</b>									
HP	Phase	Voltage	Voltage Option	Item 1A: Motor		Item 3: Starter	Item 4: Starter Overload		Item 5: Contactor
				FLA	PN	PN	Amp Range	PN	PN
1/3	1	120	AK1	6.40	202091	1036971	5.70–7.60	1036934	119626
		208	AK2	3.20	202091	1036971	3.10–4.20	1036932	119627
		240	AK3						
	3	208	AK5	1.70	151863	1036971	1.70–2.30	1036930	—
		240	AK6	1.40			1.30–1.70	1036929	
		480	AK7	0.70			0.55–0.74	1036926	
1/2	1	120	AK1	8.20	102627	1036971	7.60–10.00	1036935	119626
		208	AK2	4.10	102627	1036971	3.10–4.20	1036932	119627
		240	AK3						
	3	208	AK5	1.80	159183	1036971	1.70–2.30	1036930	119627
		240	AK6	1.70					
		480	AK7	0.90	159183	1036971	0.74–1.00	1036927	119626
		575	AK8	0.70	202089		0.55–0.74	1036926	—
		3/4	1	120	AK1	11.00	93548	1036972	10.00–13.00
208	AK2			5.20	93548	1036971	4.20–5.70	1036933	119627
240	AK3								
3	208		AK5	2.90	36951	1036971	2.30–3.10	1036931	119627
	240		AK6	2.60					
	480		AK7	1.30	36951	1036971	1.30–1.70	1036929	119626
	575		AK8	1.00	202090		1.00–1.30	1036928	—
	1		1	120	AK1	13.00	13685	1036973	13.00–16.00
208		AK2		6.20	13685	1036971	5.70–7.60	1036934	119627
240		AK3		6.30					
3		208	AK5	3.20	36580	1036971	3.10–4.20	1036932	119627
		240	AK6	3.00			2.30–3.10	1036931	
		480	AK7	1.50	36580	1036971	1.30–1.70	1036929	119626
		575	AK8	1.40	158175				—
		1-1/2	1	120	AK1	15.00	194202	1036973	13.00–16.00
208	AK2			7.80	194202	1036971	7.60–10.00	1036935	119627
240	AK3			7.50					
3	208		AK5	4.40	115859	1036971	4.20–5.70	1036931	119627
	240		AK6	4.30				1036933	
	480		AK7	2.20	115859	1036971	1.70–2.30	1036930	119626
	575		AK8	2.00	158162				—
	2		1	120	AK1	24.60	202581	1036974	24.00–29.00
208		AK2		12.30	202581	1036973	10.00–13.00	1036936	119627
240		AK3							
3		208	AK5	6.00	159327	1036971	5.70–7.60	1036934	119627
		240	AK6						
		480	AK7	3.00	159327	1036971	2.30–3.10	1036931	119626
		575	AK8	2.40	158176				—
		3	1	208	AK2	13.70	111560	1036973	13.00–16.00
240	AK3			12.40	10.00–13.00	1036936			
3	208		AK5	9.00	159185	1036971	7.60–10.00	1036935	119627
	240		AK6	8.60					
	480		AK7	4.30	159185	1036971	4.20–5.70	1036933	119626
	575		AK8	3.60	120019		3.10–4.20	1036932	
5	3	208	AK5	13.40	113371	1036973	13.00–16.00	1036937	—
		240	AK6	13.20					
		480	AK7	6.60	113371	1036971	5.70–7.60	1036934	
		575	AK8	5.40	120020		4.20–5.70	1036933	



**Table 8. TEFC-Type Belt-Drive Blower Motor Assembly Components (Unit Sizes 150–400)**

HP	Phase	Voltage	Voltage Option	Item 1A: Motor		Item 3: Starter	Item 4: Starter Overload		Item 5: Contactor
				FLA	PN	PN	Amp Range	PN	PN
1/4	1	120	AK1	3.60	16074	1036971	3.10–4.20	1036932	119626
		208	AK2	1.80	16074	1036971	1.70–2.30	1036930	119627
		240	AK3						
	3	208	AK5	1.10	271443	1036971	1.00–1.30	1036928	119627
		240	AK6						
		480	AK7	0.50	271443	1036971	0.55–0.74	1036926	119626
1/3	1	120	AK1	4.40	115861	1036971	4.20–5.70	1036933	119626
		208	AK2	2.30	159501	1036971	2.30–3.10	1036931	119627
		240	AK3	2.40					
	3	208	AK5	1.20	105567	1036971	1.00–1.30	1036928	—
		240	AK6						
		480	AK7	0.60	105567	1036971	0.55–0.74	1036926	—
1/2	1	120	AK1	7.20	159184	1036971	5.70–7.60	1036934	119626
		208	AK2	3.50	159184	1036971	3.10–4.20	1036932	119627
		240	AK3	3.60					
	3	208	AK5	2.10	16077	1036971	1.70–2.30	1036930	119627
		240	AK6	1.80					
		480	AK7	0.90	16077	1036971	0.74–1.00	1036927	119626
		575	AK8	0.70	105568		0.55–0.74	1036926	—
3/4	1	120	AK1	11.00	115860	1036972	10.00–13.00	1036936	119626
		208	AK2	5.40	115860	1036971	4.20–5.70	1036933	119627
		240	AK3	5.50					
	3	208	AK5	2.40	20371	1036971	2.30–3.10	1036931	119627
		240	AK6	2.30					
		480	AK7	1.20	20371	1036971	1.00–1.30	1036928	119626
		575	AK8	0.80	105569		0.74–1.00	1036927	—
1	1	120	AK1	12.00	174993	1036973	10.00–13.00	1036936	119626
		208	AK2	6.20	174993	1036971	5.70–7.60	1036934	119627
		240	AK3	6.00					
	3	208	AK5	3.25	271444	1036971	3.10–4.20	1036932	119627
		240	AK6	2.94					
		480	AK7	1.47	271444	1036971	1.30–1.70	1036929	119626
		575	AK8	1.30	105570				
1-1/2	1	120	AK1	16.40	94347	1036974	16.00–20.00	1036938	119626
		208	AK2	7.80	94347	1036971	7.60–10.00	1036935	119627
		240	AK3	7.50					
	3	208	AK5	4.47	271445	1036971	4.20–5.70	1036933	119627
		240	AK6	4.05					
		480	AK7	2.02	271445	1036971	1.70–2.30	1036930	119626
		575	AK8	1.70	105665				
2	1	240	AK3	8.00	205881	1036971	7.60–10.00	1036935	119627
	3	208	AK5	6.00	158165	1036971	5.70–7.60	1036934	—
		240	AK6	5.70					
		480	AK7	2.80	158165	1036971	2.30–3.10	1036931	
575	AK8	2.30	158166						
3	3	208	AK5	7.90	159330	1036971	7.60–10.00	1036935	—
		240	AK6	7.20			5.70–7.60	1036934	
		480	AK7	3.60	159330	1036971	3.10–4.20	1036932	
		575	AK8	2.80	158168		2.30–3.10	1036931	

## BLOWER COMPONENTS (MODEL UBXC)—CONTINUED

<b>Table 9. Drives, Pulleys, and Belts for Open-Type Motors</b>									
HP	Motor Option	Voltage Option	Drive (AM/EM) Option	Motor Pulley			Blower Pulley*		Belt**
				PN	Model	Bore Size (Inches)	PN	Model	PN (Length (Feet))
1/4, 1/3	AL2, AL3	AK1, AK2, AK3, AK5, AK6, AK7	1, 2	4074	1VL34	1/2	111609	AK 99	201809 (3.8)
			3, 4	13491	1VL40				
			5, 6, 7						
			8, 9, 10, 11, 12						
			13, 14, 15, 16, 17						
1/2, 3/4, 1, 1-1/2	AL4, AL5, AL6, AL7	AK1, AK2, AK3, AK5, AK6, AK7, AK8	1, 2	13580	1VL34	5/8	111609	AK 99	
			3, 4	7962	1VL40				
			5, 6, 7						
			8, 9, 10, 11, 12						
			13, 14, 15, 16, 17						
			18, 19, 20, 21, 22, 23, 24, 25	105476	1VL44				
26, 27, 28, 29									
2	AL8	AK1, AK2, AK3, AK8	1, 2	13580	1VL34	5/8	111609	AK 99	
			3, 4	7962	1VL40				
			5, 6, 7						
			8, 9, 10, 11, 12						
			13, 14, 15, 16, 17						
			18, 19, 20, 21, 22, 23, 24, 25	105476	1VL44				
26, 27, 28, 29, 30									
3	AL9	AK2, AK3	9, 10, 11, 12	7962	1VL40	5/8	202652	AK124	
			13, 14, 15, 16, 17, 18, 19						
			20, 21, 22, 23, 24, 25, 26						
2	AL8	AK5, AK6, AK7	1, 2	110125	1VP34	7/8	111609	AK 99	
			3, 4	106748	1VL40				
			5, 6, 7						
			8, 9, 10, 11, 12						
			13, 14, 15, 16, 17						
			18, 19, 20, 21, 22, 23, 24, 25	106758	1VL44				
26, 27, 28, 29, 30									
3, 5	AL9, AL10	AK5, AK6, AK7, AK8	9, 10, 11, 12	106748	1VL40	7/8	101414	BK130	
			13, 14, 15, 16, 17						
			18, 19, 20, 21, 22						
			23, 24, 25, 26, 27, 28, 29	37451	1VM50				
			30, 31, 32, 33, 34, 35, 36						
5	AL10	AK2, AK3	9, 10, 11, 12	7963	2VP42	1-1/8	30621	2AK124	
			13, 14, 15, 16, 17	111681	1VP50				
			18, 19, 20, 21, 22	161444	1VP56				
			23, 24, 25, 26, 27, 28, 29	111681	1VP50				
			30, 31, 32, 33, 34, 35, 36						

\*Bore size = 1 inch.

\*\*Assume 17 belt links per foot. Belt PN 201809 is Fenner #0408030. Belt PN 202655 is Fenner #0408050.

**Table 10. Drives, Pulleys, and Belts for TEFC-Type Motors**

HP	Motor Option	Voltage Option	Drive (AM) Option	Motor Pulley			Blower Pulley*		Belt**	
				PN	Model	Bore Size (Inches)	PN	Model	PN (Length (Feet))	
1/3	AL20		1, 2	4074	1VL34	1/2	111609	AK 99	201809 (3.8)	
			3, 4	13491	1VL40					
			5, 6, 7							
			8, 9, 10, 11, 12							
			13, 14, 15, 16, 17							
1/4	AL19	AK1, AK2, AK3, AK5, AK6, AK7	1, 2	13580	1VL34	5/8	111609	AK 99		
			3, 4	7962	1VL40					
			5, 6, 7							
			8, 9, 10, 11, 12							
			13, 14, 15, 16, 17							
			18, 19, 20, 21, 22, 23, 24, 25	105476	1VL44				206125	AK44
26, 27, 28, 29			135201	AK39						
1/2, 3/4, 1	AL21, AL22, AL23	AK1, AK2, AK3, AK5, AK6, AK7, AK8	1, 2	13580	1VL34	5/8	111609	AK 99		
			3, 4	7962	1VL40					
			5, 6, 7							
			8, 9, 10, 11, 12							
			13, 14, 15, 16, 17							
1-1/2	AL24	AK1, AK2, AK3, AK5, AK6, AK7	1, 2	13580	1VL34	5/8	111609	AK 99		
			3, 4	7962	1VL40					
			5, 6, 7							
			8, 9, 10, 11, 12							
			13, 14, 15, 16, 17							
			18, 19, 20, 21, 22, 23, 24, 25	105476	1VL44				206125	AK44
		26, 27, 28, 29			135201	AK39				
				AK8	1, 2	110125	1VP34	7/8	111609	AK 99
					3, 4	106748	1VL40			
					5, 6, 7					
					8, 9, 10, 11, 12					
					13, 14, 15, 16, 17					
					18, 19, 20, 21, 22, 23, 24, 25	106758	1VL44			
				26, 27, 28, 29			135201	AK39		
2	AL25	AK5, AK6, AK7, AK8	1, 2	110125	1VP34	7/8	111609	AK 99		
			3, 4	106748	1VL40					
			5, 6, 7							
			8, 9, 10, 11, 12							
			13, 14, 15, 16, 17							
			18, 19, 20, 21, 22, 23, 24, 25	106758	1VL44				206125	AK44
26, 27, 28, 29			135201	AK39						
3	AL26	AK1, AK2	9, 10, 11, 12	7963	2VP42	1-1/8	30621	2AK124	201809 (7.6)	
			13, 14, 15, 16, 17	111681	1VP50				202652	AK124
			18, 19, 20, 21, 22	161444	1VP56					
			23, 24, 25, 26, 27, 28, 29	111681	1VP50					
			30, 31, 32, 33, 34, 35, 36							
			105483	AK69	201809 (3.8)					

\*Bore size = 1 inch.

\*\*Assume 17 belt links per foot. Belt PN 201809 is Fenner #0408030. Belt PN 202655 is Fenner #0408050.

## BLOWER COMPONENTS (MODEL UBXC)—CONTINUED

Table 10. Drives, Pulleys, and Belts for TEFC-Type Motors—Continued											
HP	Motor Option	Voltage Option	Drive (AM) Option	Motor Pulley			Blower Pulley*		Belt**		
				PN	Model	Bore Size (Inches)	PN	Model	PN (Length (Feet))		
3	AL26	AK5, AK6, AK7, AK8	9, 10, 11, 12	106748	1VL40	7/8	101414	BK130	202655 (3.8)		
			13, 14, 15, 16, 17				202654	BK105			
			18, 19, 20, 21, 22	37451	1VM50		16153	AK104	201809 (3.8)		
			23, 24, 25, 26, 27, 28, 29				19111	AK84			
			30, 31, 32, 33, 34, 35, 36				105483	AK69			
5	AL27	AK3, AK5, AK6, AK7, AK8	9, 10, 11, 12	7963	2VP42	1-1/8	30621	2AK124	201809 (7.6)		
			13, 14, 15, 16, 17	111681	1VP50		202652	AK124	201809 (3.8)		
			18, 19, 20, 21, 22	161444	1VP56						
			23, 24, 25, 26, 27, 28, 29	111681	1VP50					19111	AK84
			30, 31, 32, 33, 34, 35, 36							105483	AK69

\*Bore size = 1 inch.  
 \*\*Assume 17 belt links per foot. Belt PN 201809 is Fenner #0408030. Belt PN 202655 is Fenner #0408050.

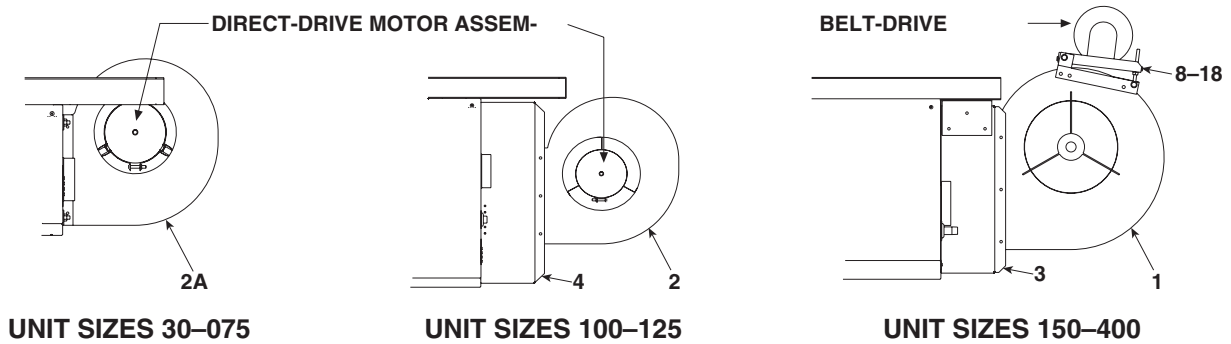


Figure 5. Blower Backs and Blowers (Refer to Table 11 and Table 12)

Table 11. Blower Backs and Blowers (Unit Sizes 30–125)							
HP	Item No.	Component	Description	Unit Size (MBTUh)			
				30	45, 60, 75	100	125
				PN (Quantity)*			
All	1	Restrictor assembly		201408			
	1A	Restrictor		194512			
	1B	Angle	Restrictor	100892 (3)			
	1C	Screw	Sheet metal	195638 (3)			
	2	Blower assembly		201401			
	2A	Blower wheel and housing	9 × 6	82111			
			10 × 10	—			201770
	2B	Mounting angle	Blower	201740 (2)			
	2C	Screw	Tek, #10 × 1/2 long	37661 (6)			
	3	Corner post	Blower back	—			1033821
	4	Back assembly	Blower adapter	—			1033825
	4A	Adapter back	Bottom	—			1033830
			Top	—			1033833
			Left side	—			1033832
			Right side	—			1033831
4E	Screw	—	—			195638 (20)	
4F	Air baffle	Horizontal	—			1033834	
4G		Vertical	—			1033835	

\*Quantity is one (1) unless otherwise indicated.  
 NOTE: Items 1 and 3 are not shown in Figure 5.

**Table 12. Blower Backs and Blowers (Unit Sizes 150–400)**

HP	Item No.	Component	Description	Unit Size (MBTUh)				
				150	175–200	225, 250	300, 350	400
				PN (Quantity)*				
All	1	Blower assembly	12 × 12	1360		—		
			15 × 11	—		100658	—	
			15 × 15	—		—	100659	
	2	Corner post	Blower back	1033822		1033823	1033824	
	3	Back assembly	Blower adapter	1033826	1033827	1033828	1033829	
	3A	Adapter back	Bottom	1033838		1033848	1033879	
	3B		Top	1033836		1033846	1033850	
	3C		Left side	1033842	1033843	1033847	1033851	
	3D		Right side	1033841	1033844	1033849	1033880	
	3E	Screw	Sheet metal	195638 (34)		195638 (26)	195638 (34)	
	3F	Air baffle	Horizontal	1033840	1033845 (2)	—	1033881 (2)	
	3G	Baffle	Blower	—		—	1041283	
	3H	Support bracket	Hanger, left	202759		202759		
	3J		Hanger, right	202760		202760		
	3K	Bolt**	1/4 × 5/8	47252 (6)		47252 (6)		
	3L	Nut	1/4-20	7328 (6)		7328 (6)		
	4	Key	1/4 square × 1-1/4 long	16099		16099		
	5	Blower shaft	1 × 22	11303		11303	—	
1 × 23			—		—	100747		
6	Blower bearing	SRC-16-1-1-inch	10437		10437			
1/4–3/4	7	Bracket assembly	Motor adjustment	193996		193996	—	
	7A	Bracket	Motor adjustment	12575		12575		
	7B	Nut	Spotweld, 5/16-18	16233 (2)		16233 (2)		
	7C	Bolt, motor adjustment	Hex head, 5/16-18 × 4 long	14668 (2)		14668 (2)		
	7D	Nut	Hex, 5/16-18	1035 (2)		1035 (2)		
	7E	Capscrew, hex head	1/4-20 × 3/4 long	16246 (2)		16246 (2)		
	7F	Nut, Keps	Hex, 1/4-20	10650 (2)		10650 (2)		
	7G	Washer	Flat, 1/4	1320 (4)		1320 (4)		
7H	Hardware bag		64940		64940			
1–5	8	Plate	Motor mounting	—	202839	202840	202841	
	9	Support, motor mounting plate	Left		12576	12576		
	10		Right		12577	12577		
	11	Rod bolt	5/16-18		12489 (2)	12489 (2)		
	12	Nut	Hex, 5/16-18		1035 (2)	1035 (2)		
	13	Nut, Keps	Hex, 5/16-18		6554 (6)	6554 (6)		
	14	Washer	Flat, 5/16		1087 (8)	1087 (8)		
	15	Capscrew, hex head	5/16-18 × 3/4 long		16247 (6)	16247 (6)		
	16		5/16-18 × 1-1/2 long		16248 (2)	16248 (2)		
	17	Insert, threaded	5/16-18 (#ATS2-518)		124260 (4)	124260 (4)		
18	Fastener, Teks	#10-16 × 1/2 long	37661 (4)	37661 (4)				

\*Quantity is one (1) inless otherwise indicated.

\*\*For securing hanger support bracket to adapter back.

NOTE: Items 2, 4, 5, 6, and 7 are not shown in [Figure 5](#).

## CABINET COMPONENTS

**NOTE:** If replacing the cabinet's bottom pan assembly (item 1), order a replacement status indicator LED listed in [Table 2](#) or [Table 3](#).

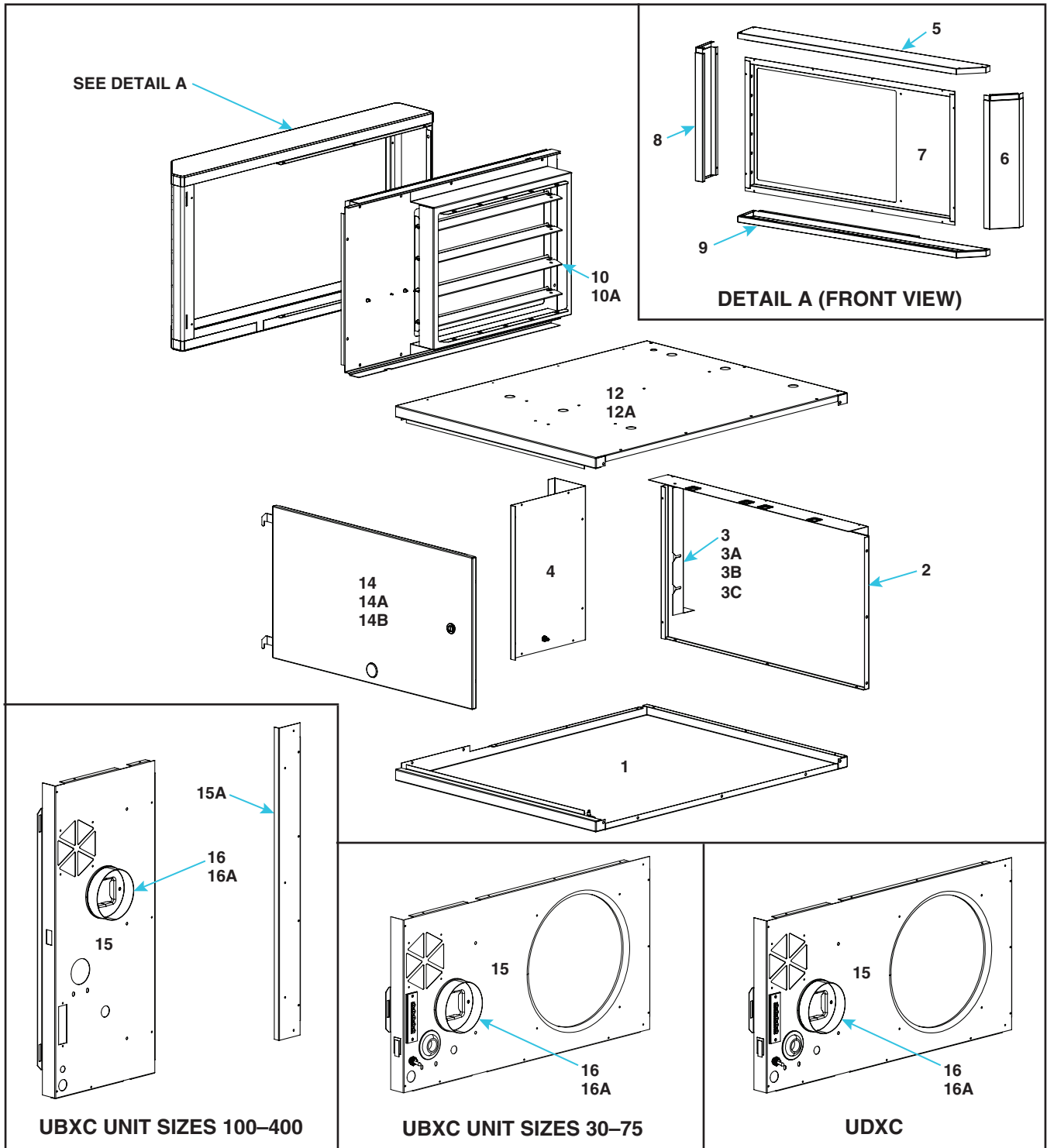


Figure 6. Cabinet Components (Refer to [Table 13](#) and [Table 14](#))

**Table 13. Cabinet Components (Unit Sizes 30–125)**

Item No.	Component	Description	Model	Unit Size (MBTUh)					
				30	45	60	75	100	125
				PN (Quantity)*					
1	Pan assembly	Bottom	Both	1042544					
2	Side panel	Left		1028425		1028427		1028445	
3	Support	Heat exchanger	Both	1034663	1034664	1034665	1034666	1034667	1034668
3A	Top/bottom gasket	Heat exchanger support		1033925 (2)					
3B	Front/rear gasket			1033922 (2)		1033923 (2)		1033924 (2)	
3C	Screw	Sheet metal, #8-18 × 3/8		195638					
4	Panel	Right	Both	1042540		1042541		1042542	
5	Top panel	Face plate assembly	Both	1041197					
6	Face mitered corner**			1042460		1042409		1042464	
7	Face plate panel			1042984		1042985		1042986	
8	Face left side panel			1028410		1028431		1028440	
9	Face bottom panel			1041198					
10	Louver			Horizontal, black	Both	1028417 (3)		1028417 (4)	
		Horizontal, red	1042513						
10A	Spring	Compression, for louver	Both	195046 (4)		195046 (5)		195046 (8)	
11	Hanger bar (not shown)	Right	UBXC	202744		202744	202746	202748	202750
11A		Left		202743		202743	202745	202747	202749
12	Panel	Top	Both	1036376					
12A	Cage nut	For heater suspension		96385 (4)					
13	Air baffle (not shown)	Top	UDXC	195545	195546	195547	195548	195549	195550
14	Access door panel	Assembly***	Both	1042482		1042483		1042484	
14A	Door latch	Screwlock		1034012					
14B	Rubber	Door		1043020 (4)					
15	Panel	Rear	UBXC	1043054		1043055		1043056	
			Rear	UDXC	1043037		1043038		1043039
15A		Rear corner	UBXC	—				1033821	
16	Outlet collar	4-inch	Both	195077					
16A	Gasket	Outlet collar		170048					
17	Support	Flue (outlet) collar	Both	Part of flue wrapper assembly (refer to <a href="#">Table 18</a> )					
18	Reznor logo (not shown)	Sticker**	Both	1034239				1034240	
		Red stripe, plastic		1042995					
19	Touch-up paint (not shown)	White, spray can	Both	1035205U					
		Black, spray can		1035207U					

\*Quantity is one (1) unless otherwise indicated.

\*\*The Reznor logo sticker is not included with the face mitered corner. The logo must be ordered separately.

\*\*\*Units converted to separated combustion have a D-shaped door seal gasket. If replacement is needed, order PN 1042930.

## CABINET COMPONENTS—CONTINUED

<b>Table 14. Cabinet Components (Unit Sizes 150–400)</b>											
Item No.	Component	Description	Model	Unit Size (MBTUh)							
				150	175	200	225, 250	300	350, 400		
				PN (Quantity)*							
1	Pan assembly	Bottom	Both	1036329				1036331			
2	Side panel	Left		1033699			1033706	1033719			
3	Support	Heat exchanger	Both	Part of replacement heat exchanger (refer to <a href="#">Table 16</a> )							
3A	Gasket	Heat exchanger support									
3B											
3C	Screw	Sheet metal, #8-18 x 3/8									
4	Panel	Right	Both	1042467		1042471	1042475				
5	Top panel	Face plate assembly	Both	1042469				1042473			
6	Face mitered corner**			1042468		1042470	1042472				
7	Face plate panel			1042987		1042988	1042989				
8	Face left side panel			1028451		1033711	1033725				
9	Face bottom panel			1028450				1033727			
10	Louver			Horizontal, black	Both	1033810 (5)		1033810 (7)	1033810 (9)		
		Horizontal, red	1042514								
10A	Spring	Compression, for louver		195046 (6)		195046 (8)	195046 (10)				
11	Hanger bar	Right	UBXC	202752		202754	202756	202758			
11A	(not shown)	Left		202751		202753	202755	202757			
12	Panel	Top	Both	1042466			1042474				
12A	Cage nut	For heater suspension		96385 (4)							
13	Not used										
14	Access door panel	Assembly***	Both	1042485		1042486	1042487				
14A	Door latch	Screwlock		1034012							
14B	Rubber	Door		1043020 (4)							
15	Panel	Rear	UBXC	1043057	1043058		1043059	1043060			
				UDXC	1043040			1043042	1043043		
15A		Rear corner	UBXC	1033822			1033823	1033824			
16	Outlet collar	4-inch	UBXC	195077	—		—				
			UDXC		195077		—				
		5-inch	UBXC	—	216950			—			
			UDXC		—			216950			
6-inch	UBXC	—	—		—		216951				
	UDXC		—		—		216951				
16A	Outlet collar gasket	4-inch	UBXC	170048	—		—				
			UDXC		170048		—				
		5-inch	UBXC	—	196822			—			
			UDXC		—		196822				
		6-inch	UBXC	—	—		—		207732		
			UDXC		—		—		207732		
17	Support	Flue (outlet) collar	Both	—		254952					
18	Reznor logo (not shown)	Sticker**	Both	1034240							
		Red stripe, plastic		1042995							
19	Touch-up paint (not shown)	White, spray can	Both	1035205U							
		Black, spray can		1035207U							

\*Quantity is one (1) unless otherwise indicated.

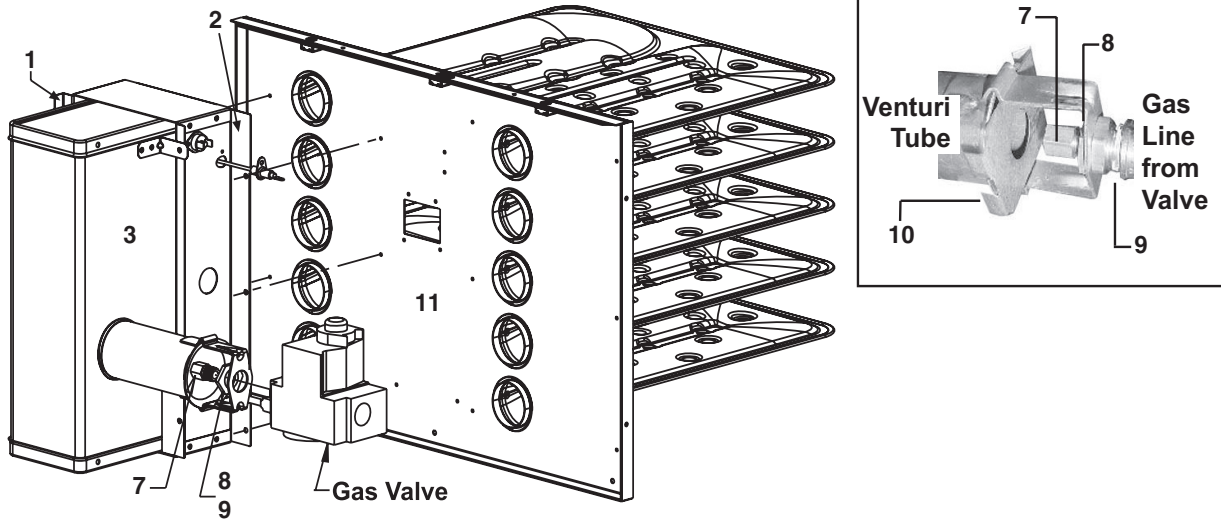
\*\*The Reznor logo sticker is not included with the face mitered corner. The logo must be ordered separately.

\*\*\*Units converted to separated combustion have a D-shaped door seal gasket. If replacement is needed, order PN 1042931.



## HEAT EXCHANGER AND BURNER ASSEMBLY COMPONENTS

**NOTE:** Replacement heat exchanger and burner assembly for unit sizes 30–125 are shown in [Figure 7](#). Replacement heat exchanger for unit sizes 150–400 includes a tube support and four channels that connect the header to the support. All replacement heat exchangers include a gasket kit with installation instructions.



**Figure 7. Replacement Heat Exchanger and Burner Assembly Components—Unit Sizes 30–125**  
(Refer to [Table 15](#) and [Table 16](#))

Table 15. Burner Assembly Components (Unit Sizes 30–125)									
Item No.	Component	Description	Model	Unit Size (MBTUh)					
				30	45	60	75	100	125
				PN (Quantity)*					
1	Burner shield	Front side	Both	222100	222101	222102	222103	222105	222106
2		Rear side	UDXC	222147	222148	222129	222130	222131	222152
			UBXC	222127					
3	Burner assembly		Both	195231	195232	195233	195234	195235	195236
4	Gasket	Burner end (not shown)	Both	195667 (2)					
5	Baffle	Burner (not shown)	UDXC	—	196749 (2)	195751 (2)	196750 (2)		
							195751 (2)	—	
			UBXC				196750 (2)	195751 (2)	—
6	Support	Burner (not shown)	Both	196597 (3)	196597 (4)			196597 (6)	
7	Burner orifice	Burner orifice	Both	Refer to <a href="#">Table 17</a>					
8	Nut	Pipe, 1/2		165702					
9	Bushing	Orifice adapter, 1/2 × 1/4		165701					
10	Primary air restrictor	For propane only	UDXC	196687		196688		—	
			UBXC	203078		202051		196688	
11	Heat exchanger assembly, includes gaskets	Aluminized STL (AC1)	UDXC	1034160	1034161	1034162	1034163	1034164	1034165
			UBXC	1034024	1034027	1034030	1034033	1034036	1034039
		409 SST (AC2)	Both	1034026	1034029	1034032	1034035	1034038	1034041
316 SST (AC4)	1034025	1034028		1034031	1034034	1034037	1034040		
11A	Gasket kit	Heat exchanger	Both	1036360		1036361		1036362	

\*Quantity is one (1) unless otherwise indicated.

## HEAT EXCHANGER AND BURNER ASSEMBLIES—CONTINUED

<b>Table 16. Burner Assembly Components (Unit Sizes 150–400)</b>											
Item No.	Component	Description	Model	Unit Size (MBTUh)							
				150	175	200	225	250	300	350	400
				PN (Quantity)*							
1	Burner shield	Front side	Both	222107	222108	222109	222110	222111	222112	222113	
2		Rear side		222133	222134	222136	222137	222138	222139	222140	
3	Burner assembly			195237	195238	195239	195240	195241	195242	195243	
4	Gasket	Burner end (not shown)		195668 (2)							
5	Baffle	Burner (not shown)		197238 (2)						197239 (2)	—
6	Support			196598 (4)			196598 (6)			196598 (6)	
7	Orifice	Burner		Refer to <a href="#">Table 17</a>							
8	Nut, pipe	1/2		165702							
9	Bushing, orifice adapter	1/2 × 1/4		165701			—				
		3/4 × 3/8		—			194809				
10	Primary air restrictor (propane only)		196688	—							
11	Heat exchanger assembly, includes gaskets, tube supports, and tube support channels	Aluminized STL (AC1)	UDXC	1034589	1034593	1034597	1034601	1034605	1034609	1034613	
			UBXC	1034590	1034594	1034598	1034602	1034606	1034610	1034614	
		409 SST (AC2)	Both	1034592	1034596	1034600	1034604	1034608	1034612	1034616	
		316 SST (AC4)		1034591	1034595	1034599	1034603	1034607	1034611	1034615	
11A	Gasket kit	Heat exchanger	201670		201671		201672				

\*Quantity is one (1) unless otherwise indicated.

<b>Table 17. Burner Orifices</b>				
Unit Size (MBTUh)	Natural Gas		Propane	
	Orifice Size/Marking	PN	Orifice Size/Marking	PN
30	#37	196853	1.65 mm	1043044
45	3.20 mm	196847	#47	1043047
60	#28	124969	3/32 inch	1043046
75	#20	120153	#39	196852
100	#12	120157	#32	120141
125	#6	1043045	#30	196838
150	5.60 mm	208243	3.50 mm	120148
175	C	120164	#24	196899
200	F	120167	#19	196855
225	6.95 mm	221121	11/64 inch	196901
250	L	208255	4.60 mm	1034352
300	7.80 mm	208253	#8	196903
350	8.50 mm	1034354	5.40 mm	1034353
400	9.60 mm	196897	5.80 mm	196905

## VENTER AND FLUE WRAPPER COMPONENTS

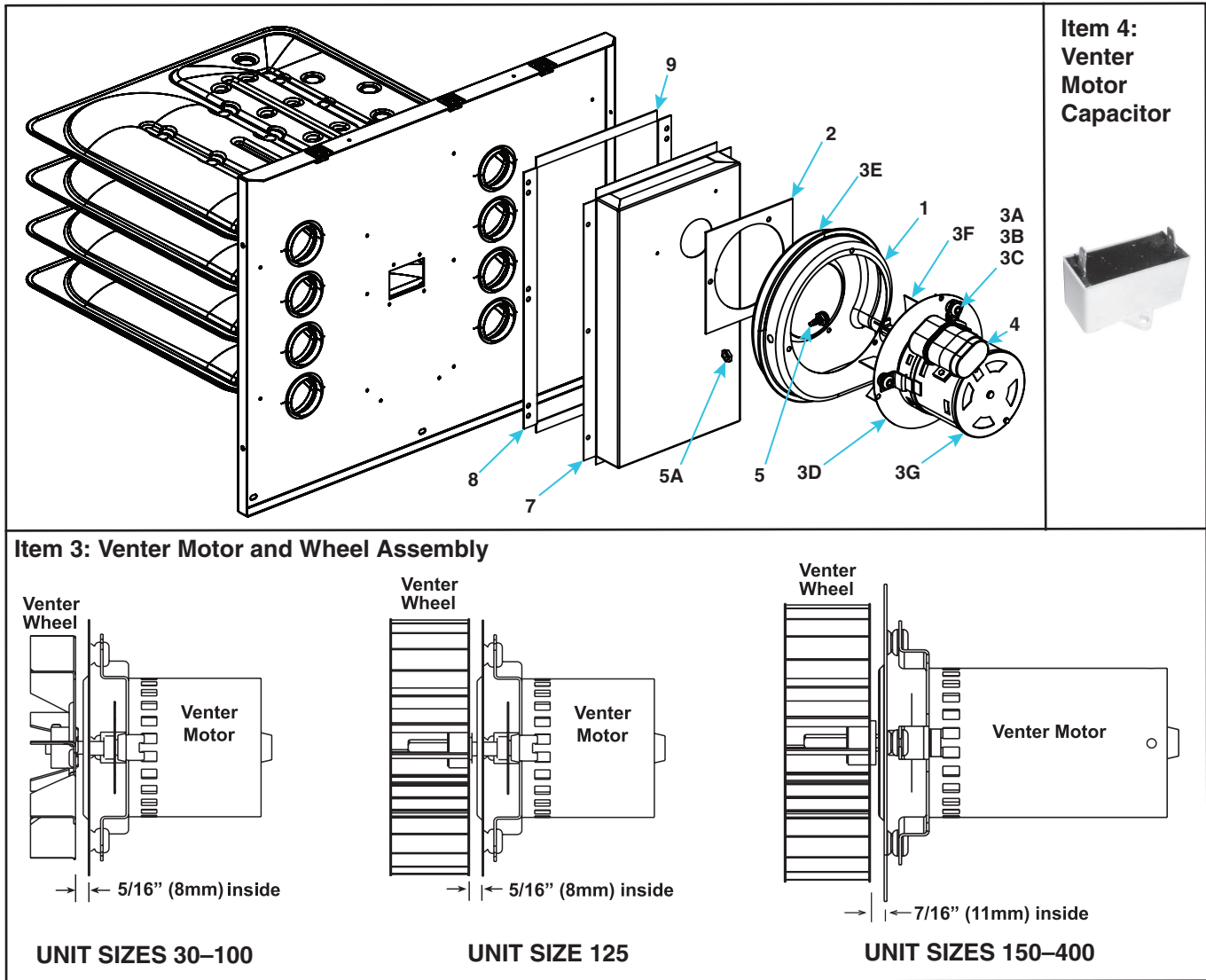


Figure 8. Venter and Flue Wrapper Components (Refer to [Table 18](#) and [Table 19](#))

## VENTER AND FLUE WRAPPER COMPONENTS—CONTINUED

<b>Table 18. Venter and Flue Wrapper Components (Unit Sizes 30–125)</b>									
Item No.	Component	Description	Model	Unit Size (MBTUh)					
				30	45	60	75	100	125
				PN (Quantity)*					
1	Housing	Venter	Both	196248					
2	Gasket	Venter housing		196012					
3	Venter wheel and motor	Assembly		220779	1036169		220779	1036169	
3A	Isolator	Venter motor		194534 (3)					
3B	Bushing	Venter motor isolator		194803 (3)					
3C	Screw	Venter motor isolator bushing		113275 (3)					
3D	Plate	Venter motor		194806					
3E	Gasket	Venter motor plate		Not used					
3F	Wheel	Venter		195036			195036		
3G	Motor	Venter		1005552		236157	1005552		236157
4	Capacitor	Venter motor		May be included in venter wheel and motor assembly (item 3)					
5	Pressure tap	Static, assembly		116043					
5A	Nut	Static pressure tap		—					
6	Tubing, silicone rubber	6 inches long		148986					
7	Flue wrapper assembly		1043050	1034044	1043051	1034076	1043095	1034080	
7A	Flue wrapper		UBXC	1043048	1034045	1043049	1034077	1043094	1034081
			UDXC						
8	Gasket, flue wrapper	Side	170029		170030		1033980		
9		Top/bottom	170038						

\*Quantity is one (1) unless otherwise indicated.

**Table 19. Venter and Flue Wrapper Components (Unit Sizes 150–400)**

Item No.	Component	Description	Model	Unit Size (MBTUh)							
				150	175	200	225	250	300	350	400
				PN (Quantity)*							
1	Housing	Venter	Both	196248		257029		257029			
2	Gasket	Venter housing		196012		254935		254935			
3	Venter wheel and motor	Assembly	UBXC	1036169	220784	220784		220786			
			UDXC		1036169						
3A	Isolator	Venter motor	Both	194534 (3)							
3B	Bushing	Venter motor isolator		194803 (3)							
3C	Screw	Venter motor isolator bushing		113275 (3)							
3D	Plate	Venter motor	UBXC	194806	194910	194910					
			UDXC		194806						
3E	Gasket	Venter motor plate	UBXC	—	201472	201472					
			UDXC	—	—						
3F	Wheel	Venter	UBXC	195036	195666	195666					
			UDXC		195036						
3G	Venter motor	115V	UBXC	236157	236158	236158		236159			
			UDXC		236157						
4	Venter motor capacitor	115V, 3µF, 400VAC	Both	236180		—					
		115V, 4µF, 400VAC		195641		—					
		115V, 5µF, 400VAC		—		—		195642			
		115V, 7.5µF, 400VAC		—		195643		—			
		115V	UDXC**	—		195643		195642	195643		
		115V, 3µF, 400VAC		236180		—					
		115V, 4µF, 400VA		—	195641	—					
		115V, 5µF, 400VAC		195642	—	—					
		208/230V/1PH		195641		195642		195641			
		208/230V/3PH, 4µF, 400VAC		195641		—		195641			
208/230V/3PH, 5µF, 400VAC	UBXC	—		195642		—					
5	Pressure tap	Static	Both	116043							
6	Tubing, silicone rubber	12 inches long		148251		—					
		16 inches long		—		205837	—				
		20 inches long		—		130673		—			
		22 inches long	—		157904						
7	Flue wrapper assembly		UBXC	1043097	1043099	1043101	1043103	1034090	1034064	1034066	1034096
			UDXC	1034082	1034084	1034058	1034088				
7A	Flue wrapper		UBXC	1043096	1043098	1043100	1043102	1034091	1034065	1034067	
			UDXC	1034083	1034085	1034059	1034089				
8	Gasket, flue wrapper	Side	Both	170033	170034	170035	170042	170043	170044	170036	170037
9		Top/bottom		170039							

\*Quantity is one (1) unless otherwise indicated.  
 \*\*Used with options D10 and D14.

## ACCESSORIES/OPTIONS

### Vent Caps (Option CC1 and CC21)



Figure 10. Vent Cap

Table 20. Vent Caps				
Size	Option	Unit Size (MBTUh)		
		30, 45, 60, 75, 100, 125	150, 175, 200, 225, 250	300, 350, 400
		PN		
4-inch	CC1	111848	—	
	CC21*	270617		
5-inch	CC1	—	111849	—
6-inch	CC1		—	111850

\*Stainless steel.

### Vent Kit Components (Options CC2 and CC6, Separated-Combustion Units)

<p><b>Item 1A: Concentric Adapter Box Assembly</b></p> <p style="text-align: right;">Combustion air pipe collar Vent pipe opening</p>	<p><b>Item 1B: Concentric Adapter Box Assembly</b></p> <p style="text-align: right;">Combustion air pipe collar</p>	
<p><b>Item 2A: Exhaust (Vent) Terminal</b></p>	<p><b>Item 2B: Exhaust Grill</b></p>	<p><b>Item 3B: Inlet Guard</b></p>
<p><b>Item 3A: Combustion Air Inlet</b></p>	<p><b>Item 6B: Screened Exhaust Assembly</b></p>	

Figure 9. Venting and Combustion Air Kit Components (Refer to [Table 21](#))

**Table 21. Vent Kit Components**

Item No.	Component	Unit Size (MBTUh)			
		30–125	150–400	30–125	150–400
		Vertical Vent Kit (Option CC2) PN		Horizontal Vent Kit (Option CC6) PN	
		205895	205895	211762	211763
Component PN (Quantity)*					
1A	Concentric adapter box assembly	205884**	205885**	211789***	211790***
2A	Vent cap	110051	110052	—	
3A	Combustion air inlet	155635	53330	—	
2B	Exhaust grill	—		211791	211792
3B	Inlet guard	—		151755	124940
5B	Screw, #10-16 × 1/2 long, to attach guard and grill	—		37661 (8)	
6B	Screened exhaust assembly	—		155096	53316
4A	Bracket, concentric adapter box	207232 (2)			
7B	Sealant, clear silicone, #732, high temperature (450°F), 3-oz tube	53335			

\*Quantity is one (1) unless otherwise indicated.

\*\*Configured with a collar and a vent pipe opening on the heater connection side. The collar is for connecting the combustion air pipe from the heater and the vent pipe opening is for the vent pipe to run through from the terminal and outside air pipe to connect to the vent run.

\*\*\*Configured with a collar on the vent terminal connection side. The collar is for connecting the outside portion of the combustion air pipe. The vent pipe runs concentric through the outside portion of the combustion air pipe.

**Vertical Louver Kits (Option CD1)**

**NOTES:**

- Refer to the vertical louver kit installation manual provided with the kit for components and installation instructions.
- When installed, vertical louvers must be adjusted to achieve the desired airflow pattern.

**Table 22. Vertical Louver Kits**

Unit Size (MBTUh)					
30, 45	60, 75	100, 125	150, 175, 200	225, 250	300, 350, 400
Kit PN					
1036298	1036299	1036300	1036301	1036302	1036303

## ACCESSORIES/OPTIONS—CONTINUED

### Downturn Nozzle Kits (Options CD2, CD3, CD4, and CD5)

#### NOTES:

- The downturn nozzle assembly (option CD2, CD3, CD4, or CD5) consists of one or two 30-degree nozzles. Options CD3 and CD5 provide 60-degree air deflection (may vary with louver adjustment).
- Refer to the downturn nozzle kit installation manual provided with the kit for components and installation instructions.

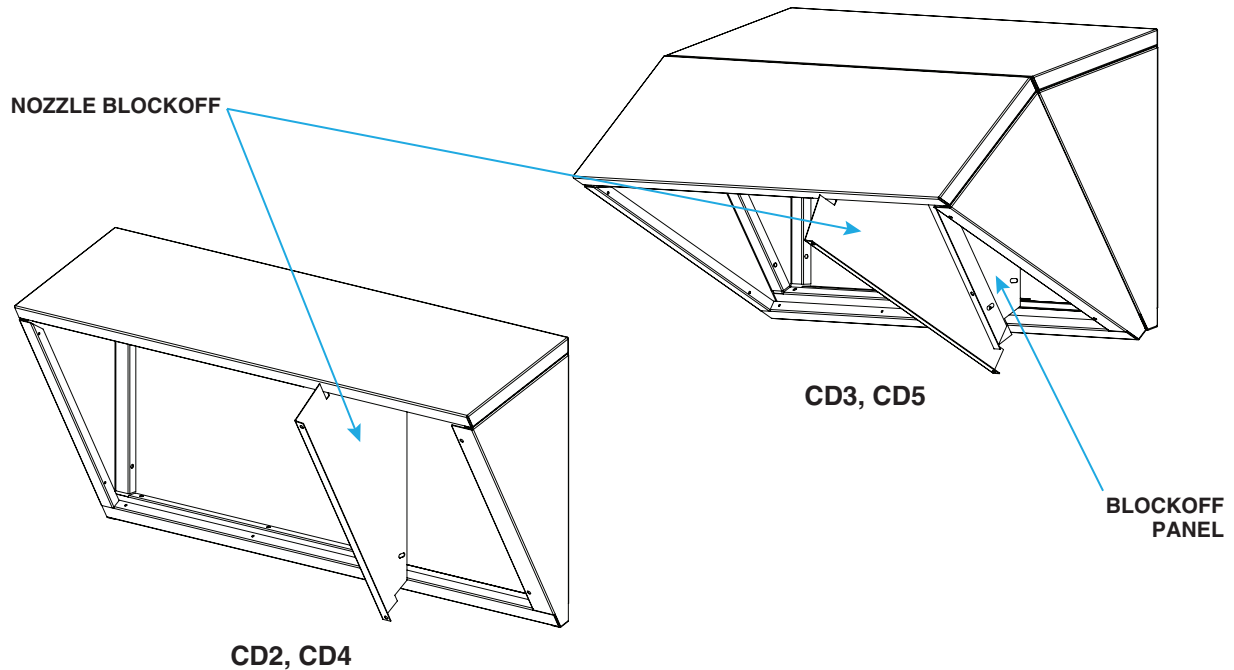


Figure 11. Downturn Nozzle Assemblies

Table 23. Downturn Nozzle Kits						
Option	Unit Size (MBTUh)					
	30, 45	60, 75	100, 125	150, 175, 200	225, 250	300, 350, 400
Kit PN						
CD2	1036261	1036262	1036263	1036264	1036265	1036266
CD3	1036273	1036274	1036275	1036276	1036277	1036278
CD4	1036285	1036286	1036287	1036288	1036289	1036290
CD5*	1036306	1036307	1036308	1036309	1036310	1036311

\*Available only on model UBXC units.



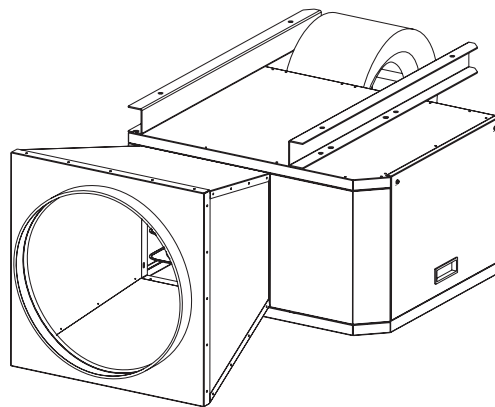
**Duct Flange Kits (Option CD9, Model UBXC)**

**NOTE: Refer to the duct flange kit installation manual provided with the kit for components and installation instructions.**

<b>Table 24. Duct Flange Kits</b>					
<b>Unit Size (MBTUh)</b>					
<b>30, 45</b>	<b>60, 75</b>	<b>100, 125</b>	<b>150, 175, 200</b>	<b>225, 250</b>	<b>300, 350, 400</b>
<b>Kit PN</b>					
1036350	1036351	1036352	1036353	1036354	1036355

**Polytube Adapter Kit (Option CD11, Models UBXC, Unit Sizes 75–400)**

**NOTE: Refer to the polytube adapter kit installation manual provided with the kit for components and installation instructions.**



**Figure 12. Polytube Adapter Assembly**

<b>Table 25. Polytube Adapter Kits</b>				
<b>Unit Size (MBTUh)</b>				
<b>75</b>	<b>100, 125</b>	<b>150, 175, 200</b>	<b>225, 250</b>	<b>300, 350, 400</b>
<b>Kit PN</b>				
1036371	1036372	1036373	1036374	1036375

## ACCESSORIES/OPTIONS—CONTINUED

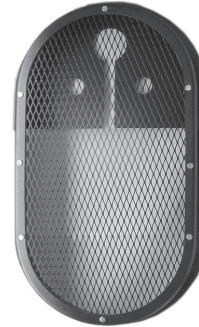
### Blower Inlet and Belt Guard Kits (Options CD10 and CD12, Model UBXC)

#### NOTES:

- The blower inlet guard and belt guard assemblies together are option CD10. The blower inlet guard assembly when ordered separately is option CD12.
- Refer to the blower inlet and belt guard kit installation manual provided with the kit for components and installation instructions.



Blower Inlet Guard Assembly



Belt Guard Assembly

Figure 13. Blower Inlet and Belt Guard Assemblies

Table 26. Blower Inlet and Belt Guard Kits			
Option	Unit Size (MBTUh)		
	30, 45, 60, 75, 100, 125	150, 175, 200	225, 250, 300, 350, 400
	Kit PN		
CD10	—	202316	202317
CD12	114548	—	—

### Manual Shutoff Valve (Option CE1)



Figure 14. Manual Shutoff Valve Assembly

Table 27. Shutoff Valve Components			
Component	Description	Unit Size (MBTUh)	
		30, 45, 60, 75, 100, 125, 150, 175, 200	225, 250, 300, 350, 400
		PN	
Shutoff valve assembly	Includes ball valve and union	15971	15972
Ball valve	1/2-inch	196910	—
	3/4-inch	—	196911
Union	1/2-inch	1224	—
	3/4-inch	—	1101

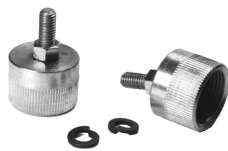
## Stepdown Transformer Kits (Options CG1, CG4, and CG5)

**NOTE: Refer to the stepdown transformer kit installation manual provided with the kit for components and installation instructions.**

Table 28. Stepdown Transformer Kits										
Option (Voltage)	Model	Unit Size (MBTUh)								
		30	45	60, 75	100	125	150, 175	200	225, 250	300, 350, 400
		Kit PN								
CG1 (208/115)	UBXC	260924		260925	260926		—			
	UDXC	260919	260920		260921		260922	260923		
CG4 (230 or 460/115)	UBXC	202976		202977	202978		—			
	UDXC	197150	197151		197152		197153	197154		
CG5 (575/115)	UBXC	1043170	1043170	1043172	1043174		—			
	UDXC	1043169		1043170		1043171		1043172	1043173	

## Hanger Kits (Options CK8 and CK10)

**NOTE: There are two hanger kit options: CK8 for two-point suspension and CK10 for four-point suspension.**



Two-Point Suspension



Four-Point Suspension

Figure 15. Hanger Kits

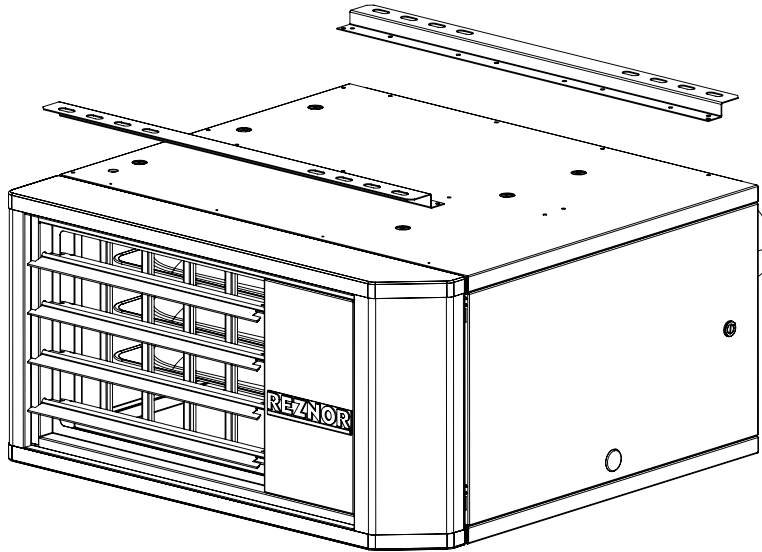
Table 29. Hanger Kit Components		
Component	Two-Point Suspension Kit (Option CK8) PN	Four-Point Suspension Kit (Option CK10) PN
	98509	98511
	Component PN (Quantity)	
Swivel connector assembly	17627 (2)	17627 (4)
Lockwasher, 3/8	5197 (2)	5197 (8)
Nut, hex, 3/8	—	1438 (4)

## ACCESSORIES/OPTIONS—CONTINUED

### Ceiling Suspension Kit (Option CK22, Model UDXC, Unit Sizes 30–125)

#### NOTES:

- The ceiling suspension kit (option CK22, PN 1036357) allows the heater to be installed 1 inch from the ceiling without hanger rods.
- Refer to the ceiling suspension kit installation manual provided with the kit for components and installation instructions.



**Figure 16. Ceiling Suspension Kit**

### Thermostats (Options CL1, CL22, CL23, CL83, CL84, and CL90)

**Table 30. Thermostats and Thermostat Accessories**

Option	Component	Description	PN
CL1*	Single-stage thermostat	24V, 50–90°F, with fan switch	255350
CL22**	Two-stage thermostat	24V, digital, with fan switch	220630
CL23**	Two-stage programmable thermostat	24V, heat/cool	257338
CL83	Two-stage programmable WiFi thermostat	24V, heat/cool	1043196
CL84	Two-stage programmable smart thermostat	24V, heat/cool	1003163
CL90	Two-stage programmable BacNet thermostat	Heat/cool	1011394
*Locking cover (option CM1, PN 257464) available.			
**Locking cover (option CM1B, PN 257463) available.			

## Relay Kits for Multiple Unit Control (Options CL31 and CL32)

### NOTES:

- There are two relay kit options for controlling up to five units: CL31 for controlling two units and CL32 for controlling up to three additional units.
- Refer to the relay kit manual provided with the kit for components and installation instructions.

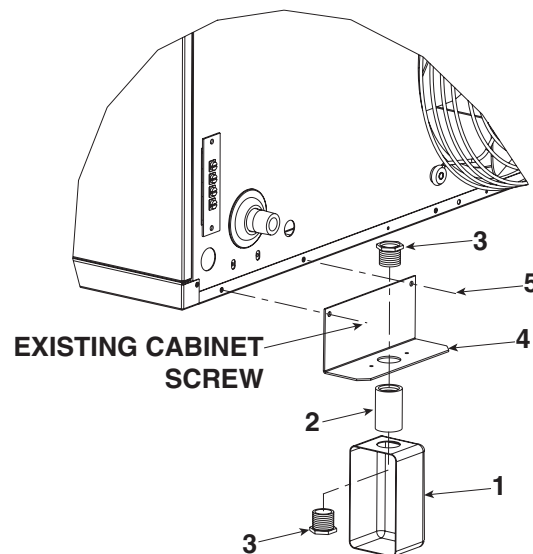
**Table 31. Relay Kits**

Model			
UBXC		UDXC	
Option*			
CL31	CL32	CL31	CL32
Kit PN			
1041281	1041287	1041288	1041287

\*Option CL31 includes components for one control unit and one additional unit. Option CL32 includes components for each additional non-control unit.

## Thermostat Bracket Kit (Option CM3)

**NOTE:** The left side of the bracket (item 4) is secured to the heater using an existing cabinet screw. The right side is secured using the screw (item 5) from the kit.



**Figure 17. Thermostat Bracket Kit (Refer to Table 32)**

**Table 32. Thermostat Bracket Kit (PN 197077) Components**

Item No.	Component	PN	Quantity
1	Electrical box, 2 × 4	17782	1
2	Coupling, conduit connector, 1/2	7447	1
3	Chase nipple, 1/2	3618	2
4	Bracket	197072	1
5	Screw, self-drilling	195249	1

## ACCESSORIES/OPTIONS—CONTINUED

### Gas Conversion Kits (Option DL2)

**NOTE: Refer to the gas conversion kit installation manual provided with the kit for components and installation instructions.**

<b>Table 33. Gas Conversion Kits</b>							
<b>Option</b>	<b>Conversion Type</b>	<b>Unit Size (MBTUh)</b>					
		<b>30, 45</b>	<b>60, 75</b>	<b>100, 125</b>	<b>150, 175</b>	<b>200, 225, 250</b>	<b>300, 350, 400</b>
		<b>Kit PN</b>					
DL2	NG to LP	1043184	1043185	1043186	1043187	1043188	1043189

