

# 24V Interface Mini

Model: KSAIC0601230

## Submittal Data

Job Data: \_\_\_\_\_ Location: \_\_\_\_\_

Buyer: \_\_\_\_\_ Buyer P.O. #: \_\_\_\_\_ Carrier #: \_\_\_\_\_

Unit Number: \_\_\_\_\_ Model Number: \_\_\_\_\_

Performance Data Certified By: \_\_\_\_\_ Date: \_\_\_\_\_



### Parts Included

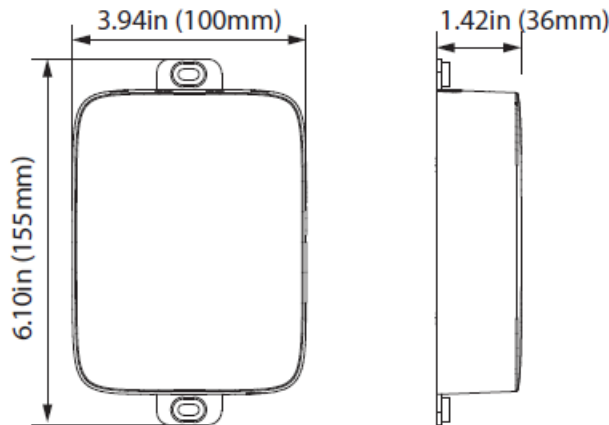
- Installation/Owner's Manual
- Screws M3.9x25
- Screw M4x8
- Wall Plug
- Connective Wire Group (XYE only)
- \*RT1 Thermistor Assembly 7in (177.8mm)  
RDC Part# **11201007006664**

### Parts Not Supplied: Optional Accessory

- 16ft. (5m) Return Air Thermistor Assembly  
Extension Wires  
RCD Part# **17401204010126**

## 24V Interface Mini – Specifications

<b>Dimensions</b>	6.1 x 3.94 x 1.42 in (155 x 100 x 36 mm)
<b>Input Voltage Indoor</b>	12VDC
<b>Input Voltage Transformer</b>	24VAC (Field Supplied)
<b>Ambient Temperature</b>	23-110F (-5-43C)
<b>Ambient Humidity</b>	RH40%~RH90%



## 24V Interface Mini - Features Overview

<b>Applications</b>	<ul style="list-style-type: none"> <li>○ Designed for use with ductless equipment, not for VRF systems</li> <li>○ One 24V Interface Mini to one indoor unit installation application</li> </ul>
<b>Compatibility</b>	Compatible with all Puron Advance Models except Value Tier high walls and only Puron Cassettes, HS/Slim Duct, 18K and above Ceiling/Floor Consoles
	Not compatible with Puron High Wall and Puron Floor Console
<b>Device Connections</b>	HA/HB port (2-wire) and RS485 port (4-wire) available
	Compatible with indoor multifunctional boards (XYE)
<b>Additional Connections</b>	Optional connection for On/Off Heat Source (12V, 20mA)
<b>24V Thermostat Configurations</b>	Supports an optional 24V thermostat with DIP switch configuration <b>(Transformer not included and must be field provided per the selected third-party thermostat specifications)</b>
<b>RT1 Thermistor</b>	<ul style="list-style-type: none"> <li>○ RT1 thermistor must be on the 24V Interface for proper temperature sensing</li> <li>○ Optional RT1 thermistor extension wires available through Replacement Components (RC)</li> </ul>

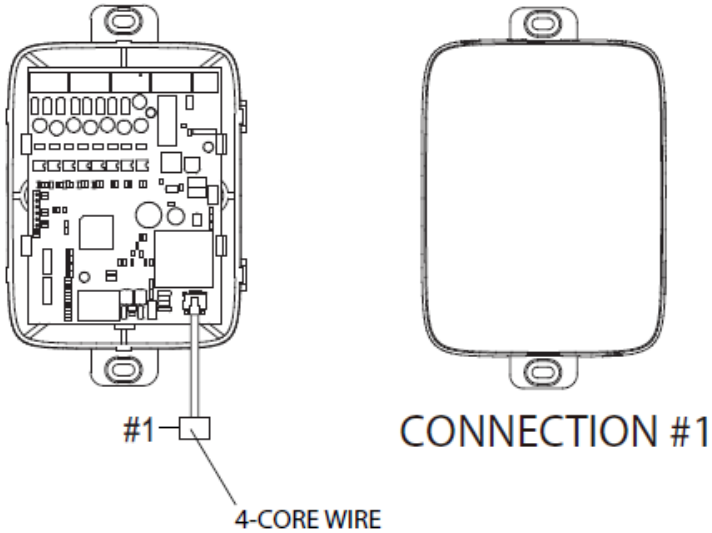
## 24V Interface Mini - Compatibility Chart

Unit Type Single Zone and Multi-zone (Puron Advance)					
HIGH WALL				CASSETTE	
45MPHA	45MAHA	45MHHAQ	45MHHAC	45MBCA	45MCCA
●	●	●	●	●	●
DUCTED		CONSOLE		AIR HANDLER	
45MBDA	45MBFA	45MCFA	45MBAA	45MUAA	45MUHA
●	●	●			

Unit Type Single Zone and Multi-zone (Puron)						
HIGH WALL					CASSETTE	
40MPHB	40MAHB	40MHHAQ	40MHHAC	DHMOVHA	40MBC(A)Q	40MCCA
					●	●
DUCTED		CONSOLE		AIR HANDLER		
40MBDA/Q	40MBF(Q)A	40MUAA	40MBAB			
●						

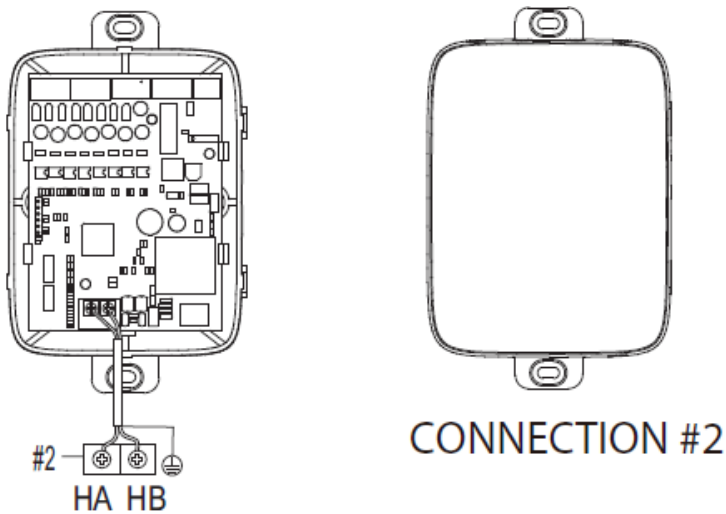
R410A Models	
Not Compatible	
Compatible	●

## 24V Interface Mini – Indoor Connections



### **Connection # 1**

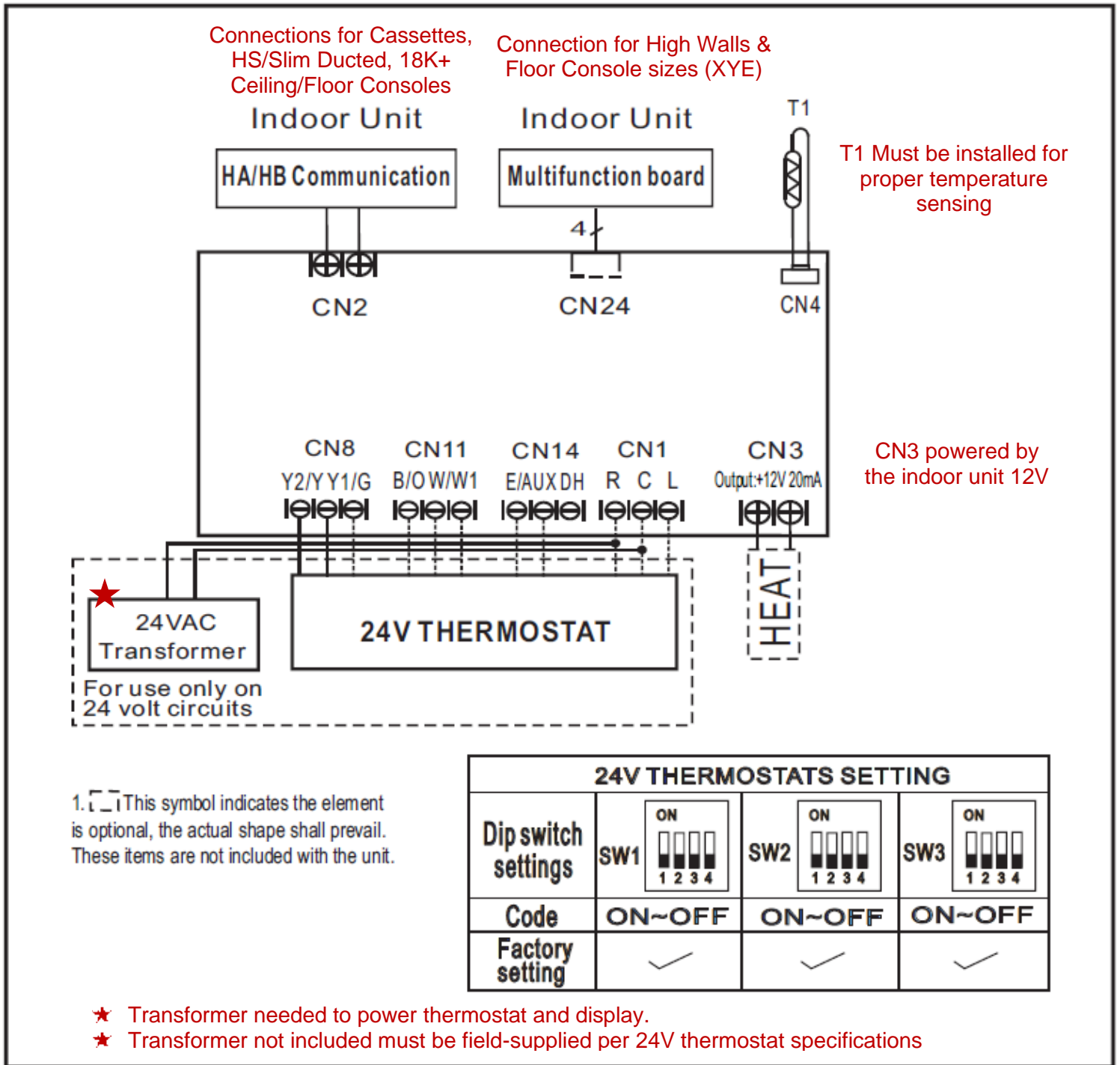
- Indoor units Slim Ducts, Cassettes, and Consoles (18K and above) can connect via CN40 for both Puron Advance and Puron models.
- Puron Advance High Walls and Floor Consoles models connect with the multi-function board using a 4-core wire (X-Y-E).
- Puron High Walls and Puron 12K Floor Consoles are not compatible with this interface.



### **Connection #2**

- Connect the terminals to CN2 on the 24V interface (HA, HB) and to the indoor unit terminals (HA, HB).
- HA and HB are non-polarized.

## 24V Interface Mini - Wiring Diagram



**Application: One 24V Interface Mini to One indoor unit installation**  
**\*For more information see the installation manual\***