

PROJECT: _____	UNIT TAG: _____	QUANTITY: _____
REPRESENTATIVE: _____	TYPE OF SERVICE: _____	DATE: _____
ENGINEER: _____	SUBMITTED BY: _____	DATE: _____
CONTRACTOR: _____	APPROVED BY: _____	DATE: _____
	ORDER NO.: _____	DATE: _____

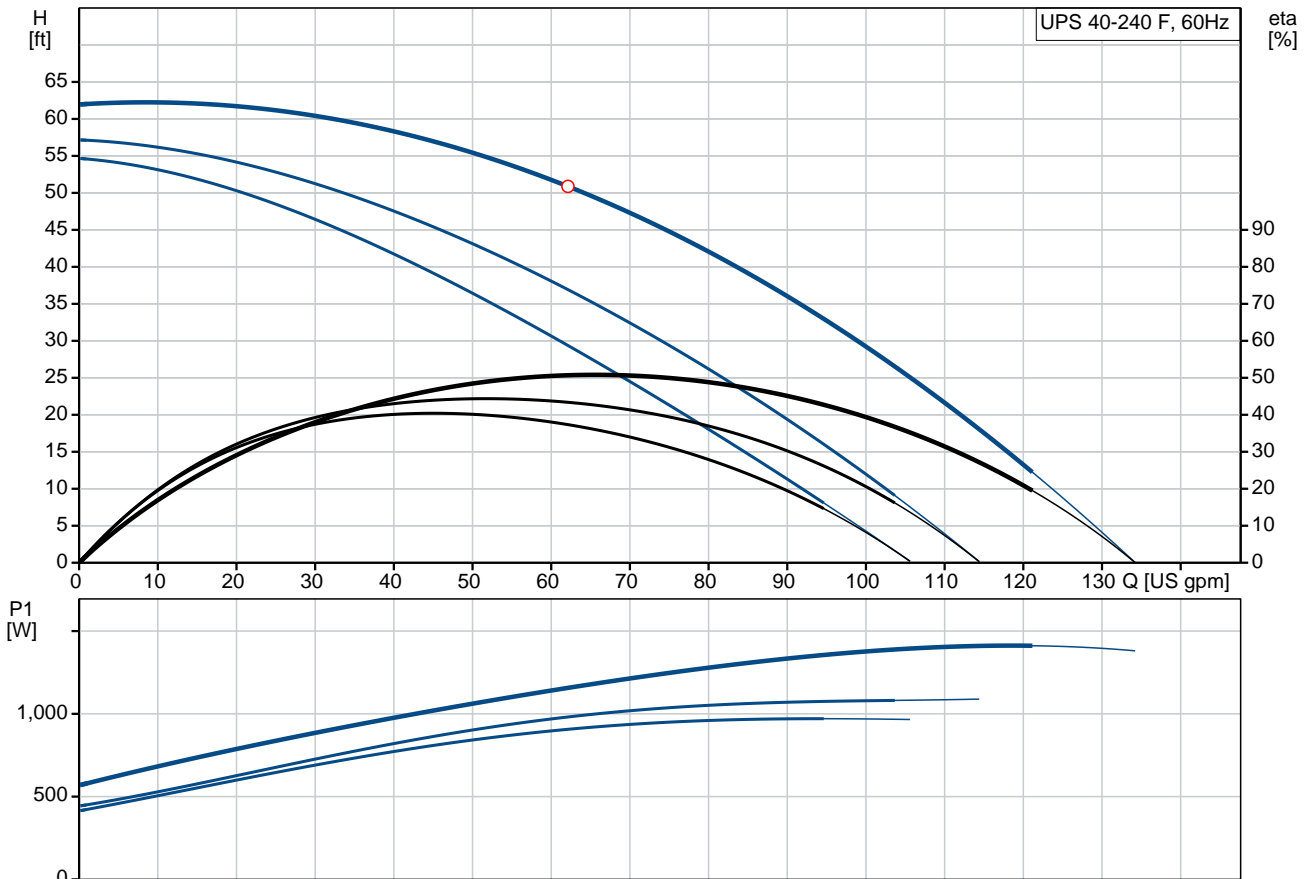


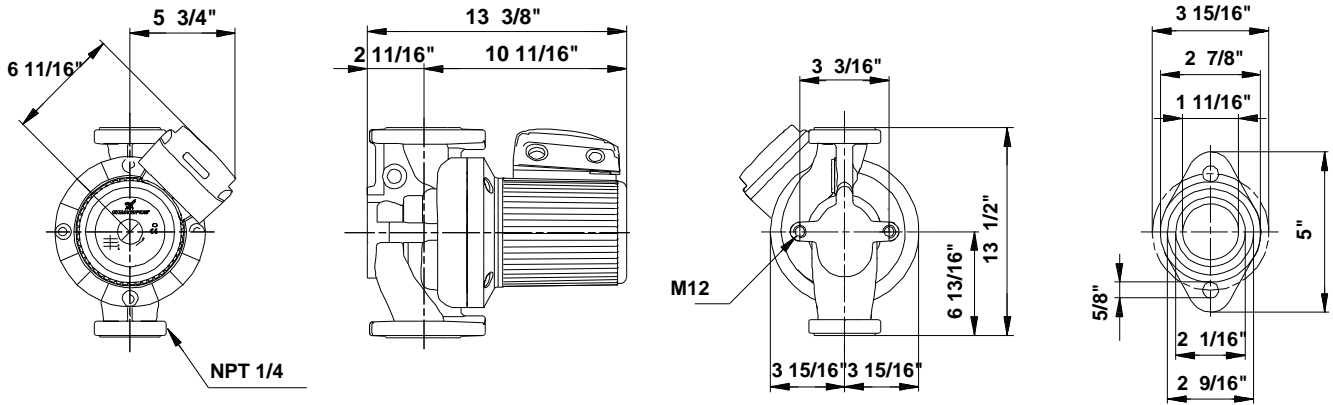
UPS 40-240 F

Circulator pumps

Product photo could vary from the actual product

Conditions of Service	Pump Data	Motor Data
Flow: _____	Maximum operating pressure: 145 psi	Max. power input: 1440 W
Head: _____	Liquid temperature range: 14 .. 248 °F	Rated voltage: 208-230 V
Efficiency: _____	Maximum ambient temperature: 104 °F	Main frequency: 60 Hz
Liquid: Water	Approvals: CUL	Enclosure class: X4D
Temperature: 140 °F	Type of connection: F	Insulation class: H
NPSH required: ft	Flange standard: USA Oval	Motor protection: CONTACT
Viscosity: _____	Pipe connection: GF 40/43	Thermal protection: external
Specific Gravity: 0.985	Product number: 96402798	





Materials:

Pump housing: Cast iron
 EN-JL1040
 ASTM 35 B - 40 B

Impeller: Stainless steel
 DIN W.-Nr. 1.4301
 AISI 304

Tender Text



Product photo could vary from the actual product

Product No.: [96402798](#)

UPS 40-240 F

The pump is of the canned rotor type, i.e. pump and motor form an integral unit without shaft seal and with only two gaskets for sealing. The bearings are lubricated by the pumped liquid.

In order to avoid problems in connection with disposal, great importance has been attached to using as few different materials as possible.

The pump is characterized by:

- * 3 speed motor.
- * Ceramic radial bearings.
- * Carbon axial bearing.
- * Stainless steel rotor can, bearing plate

and rotor cladding.

- * Aluminium alloy stator housing.
- * Cast iron pump housing.
- * Stator with built-in thermal switch.

The motor is a 3-phase motor.

The pump is supplied with a standard module in the terminal box.

The standard module is to be connected to the mains supply via external contactor.

Controls:

Relay: without relay

Liquid:

Pumped liquid: Water
Liquid temperature range: 14 .. 248 °F
Liquid temperature during operation: 140 °F
Density: 61.35 lb/ft³

Technical:

Approvals on nameplate: CUL

Materials:

Pump housing: Cast iron
EN-JL1040
ASTM 35 B - 40 B
Impeller: Stainless steel
DIN W.-Nr. 1.4301

AISI 304

Installation:


Range of ambient temperature: 32 .. 104 °F
Maximum operating pressure: 145 psi
Flange standard: USA Oval
Type of connection: F
Pipe connection: GF 40/43
Pressure stage: 145 psi
Port-to-port length: 13 1/2 in

Electrical data:

Power input in speed 1: 990 W
Power input in speed 2: 1100 W
Max. power input: 1440 W
Main frequency: 60 Hz
Rated voltage: 3 x 208-230 V
Current in speed 1: 2.95 A
Current in speed 2: 3.25 A
Current in speed 3: 4.5 A
Cos phi in speed 1: 0,84
Cos phi in speed 2: 0,85
Cos phi: 0,8
Enclosure class (IEC 34-5): X4D
Insulation class (IEC 85): H
Winding resistance: 11.0 - 14.4 ohm

Others:

Net weight: 53.8 lb
Gross weight: 59.3 lb
Shipping volume: 3.46 ft³

Position	Count	Description
	1	<p data-bbox="343 340 502 369">UPS 40-240 F</p> <div data-bbox="406 380 662 705" style="text-align: center;">  </div> <p data-bbox="734 683 1189 705" style="text-align: center;">Product photo could vary from the actual product</p> <p data-bbox="343 716 614 739">Product No.: 96402798</p> <p data-bbox="343 750 869 862">The pump is of the canned rotor type, i.e. pump and motor form an integral unit without shaft seal and with only two gaskets for sealing. The bearings are lubricated by the pumped liquid.</p> <p data-bbox="343 896 869 974">In order to avoid problems in connection with disposal, great importance has been attached to using as few different materials as possible.</p> <p data-bbox="343 1008 678 1041">The pump is characterized by:</p> <ul data-bbox="383 1041 837 1276" style="list-style-type: none"> * 3 speed motor. * Ceramic radial bearings. * Carbon axial bearing. * Stainless steel rotor can, bearing plate and rotor cladding. * Aluminium alloy stator housing. * Cast iron pump housing. * Stator with built-in thermal switch. <p data-bbox="343 1310 678 1332">The motor is a 3-phase motor.</p> <p data-bbox="343 1366 853 1478">The pump is supplied with a standard module in the terminal box. The standard module is to be connected to the mains supply via external contactor.</p> <p data-bbox="343 1512 454 1534">Controls:</p> <p data-bbox="343 1545 845 1579">Relay: without relay</p> <p data-bbox="343 1601 430 1624">Liquid:</p> <p data-bbox="343 1635 837 1758">Pumped liquid: Water Liquid temperature range: 14 .. 248 °F Liquid temperature during operation: 140 °F Density: 61.35 lb/ft³</p> <p data-bbox="343 1780 470 1803">Technical:</p> <p data-bbox="343 1814 758 1836">Approvals on nameplate: CUL</p> <p data-bbox="343 1870 462 1892">Materials:</p> <p data-bbox="343 1904 909 2083">Pump housing: Cast iron EN-JL1040 ASTM 35 B - 40 B Impeller: Stainless steel DIN W.-Nr. 1.4301 AISI 304</p>



Company name:

Created by:

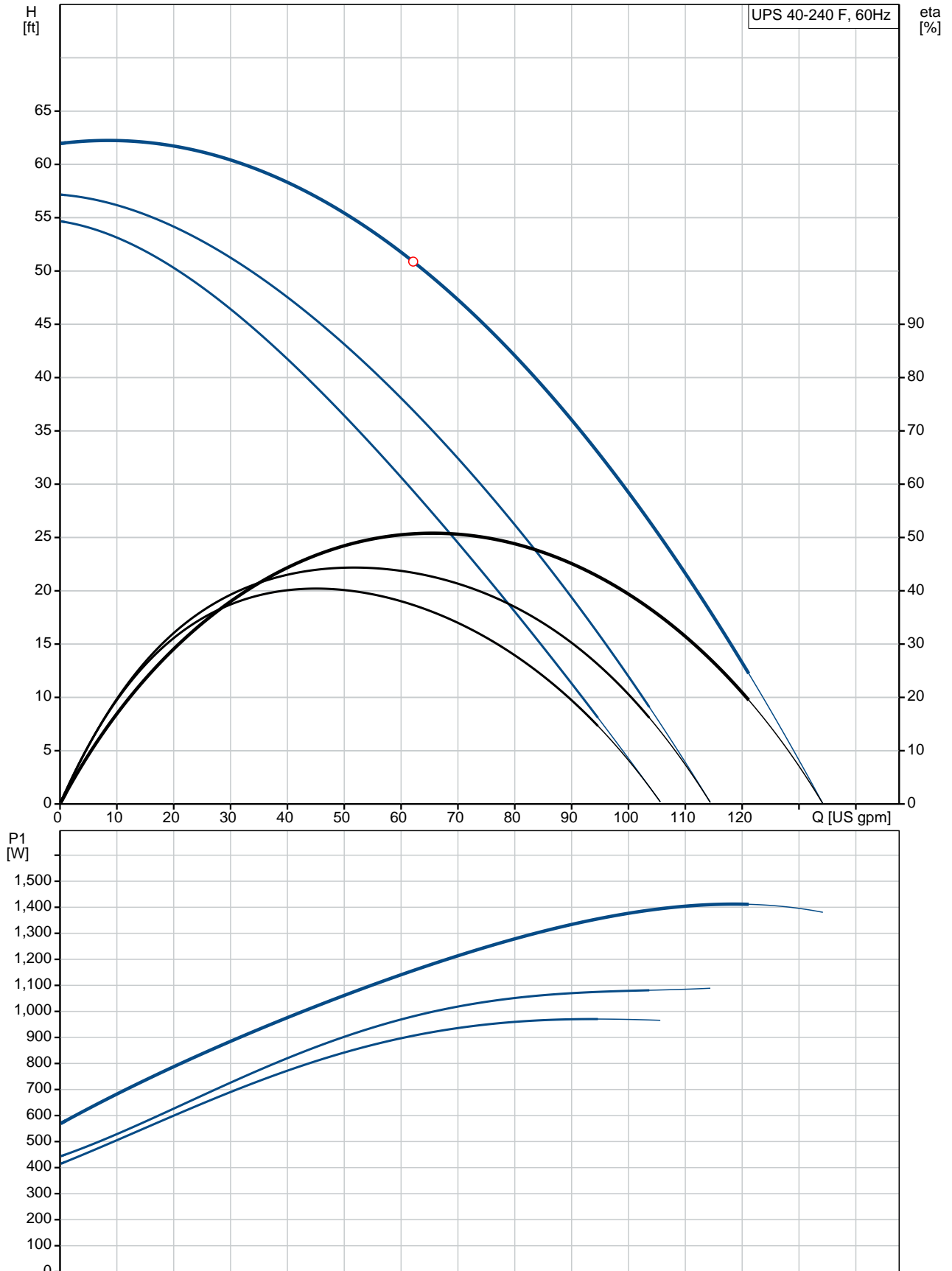
Phone:

Date:

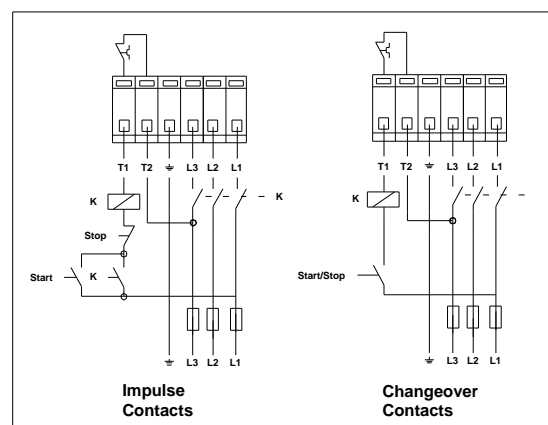
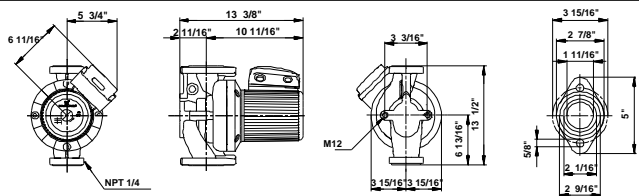
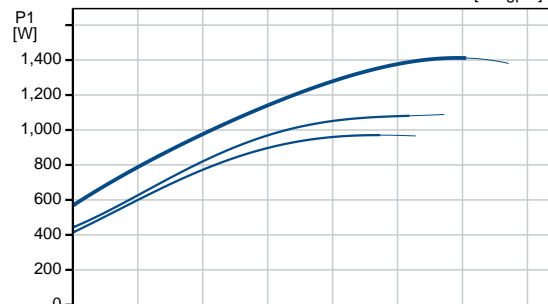
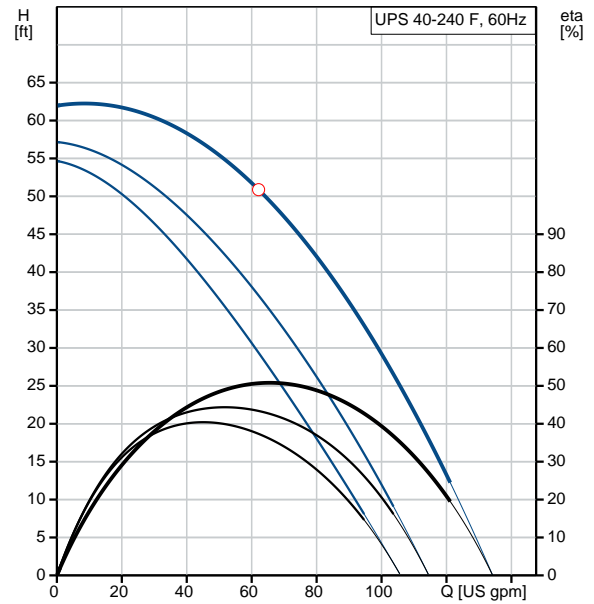
2/21/2018

Position	Count	Description
		<p>Installation: Range of ambient temperature: 32 .. 104 °F Maximum operating pressure: 145 psi Flange standard: USA Oval Type of connection: F Pipe connection: GF 40/43 Pressure stage: 145 psi Port-to-port length: 13 1/2 in</p> <p>Electrical data: Power input in speed 1: 990 W Power input in speed 2: 1100 W Max. power input: 1440 W Main frequency: 60 Hz Rated voltage: 3 x 208-230 V Current in speed 1: 2.95 A Current in speed 2: 3.25 A Current in speed 3: 4.5 A Cos phi in speed 1: 0,84 Cos phi in speed 2: 0,85 Cos phi: 0,8 Enclosure class (IEC 34-5): X4D Insulation class (IEC 85): H Winding resistance: 11.0 - 14.4 ohm</p> <p>Others: Net weight: 53.8 lb Gross weight: 59.3 lb Shipping volume: 3.46 ft³</p>

96402798 UPS 40-240 F 60 Hz



Description	Value
General information:	
Product name:	UPS 40-240 F
Product No.:	96402798
EAN:	5700390681814
Technical:	
Speed Number:	3
Head max:	78.74 ft
Approvals on nameplate:	CUL
Model:	C
Materials:	
Pump housing:	Cast iron EN-JL1040 ASTM 35 B - 40 B
Impeller:	Stainless steel DIN W.-Nr. 1.4301 AISI 304
Installation:	
Range of ambient temperature:	32 .. 104 °F
Maximum operating pressure:	145 psi
Flange standard:	USA Oval
Type of connection:	F
Pipe connection:	GF 40/43
Pressure stage:	145 psi
Port-to-port length:	13 1/2 in
Liquid:	
Pumped liquid:	Water
Liquid temperature range:	14 .. 248 °F
Liquid temperature during operation:	140 °F
Density:	61.35 lb/ft ³
Electrical data:	
Power input in speed 1:	990 W
Power input in speed 2:	1100 W
Max. power input:	1440 W
Main frequency:	60 Hz
Rated voltage:	3 x 208-230 V
Current in speed 1:	2.95 A
Current in speed 2:	3.25 A
Current in speed 3:	4.5 A
Cos phi in speed 1:	0,84
Cos phi in speed 2:	0,85
Cos phi:	0,8
Enclosure class (IEC 34-5):	X4D
Insulation class (IEC 85):	H
Motor protection:	CONTACT
Thermal protec:	external
Winding resistance:	11.0 - 14.4 ohm
Controls:	
Relay:	without relay
Pos term box:	1.30H
Others:	
Net weight:	53.8 lb
Gross weight:	59.3 lb





Company name:

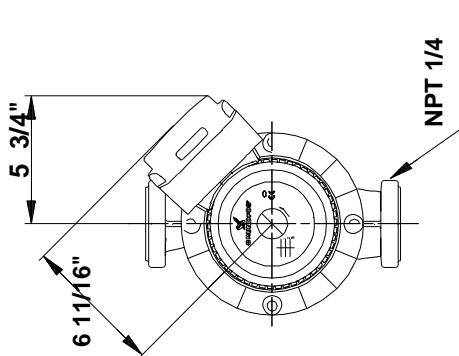
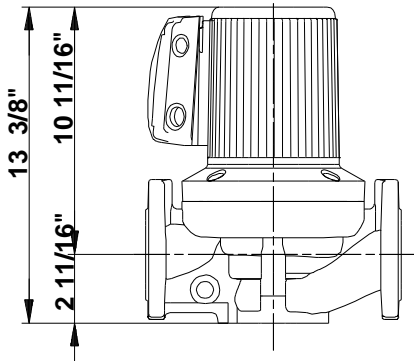
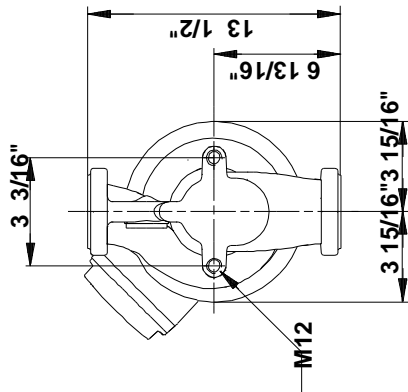
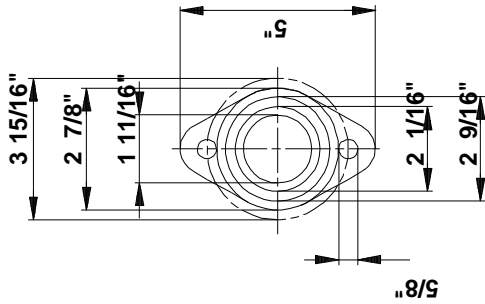
Created by:

Phone:

Date: 2/21/2018

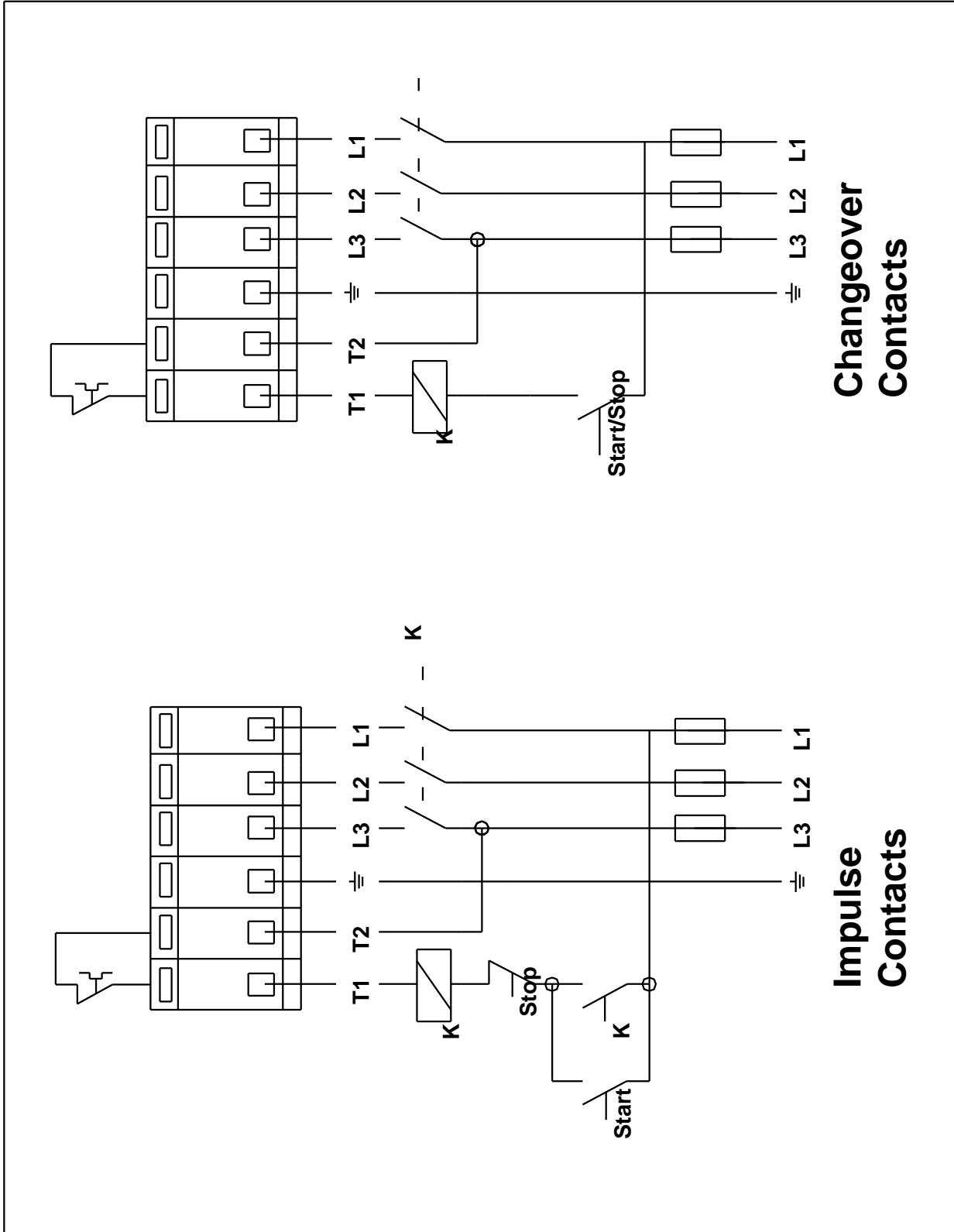
Description	Value
Shipping volume:	3.46 ft ³
Sales region:	Namreg

96402798 UPS 40-240 F 60 Hz



Note! All units are in [mm] unless otherwise stated.
Disclaimer: This simplified dimensional drawing does not show all details.

96402798 UPS 40-240 F 60 Hz



All units are [mm] unless otherwise presented.



Company name:

Created by:

Phone:

Date:

2/21/2018

Order Data:

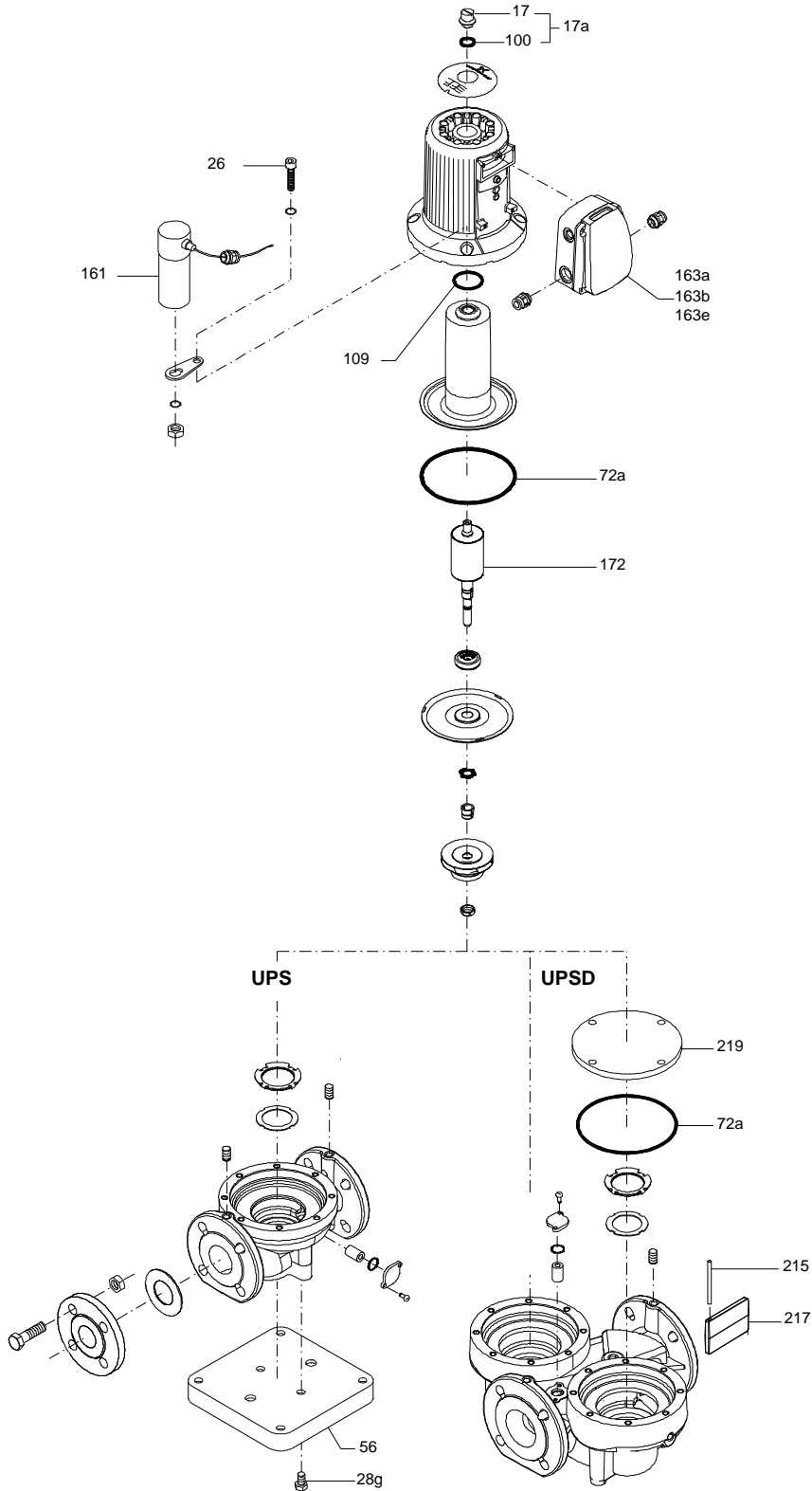
Product name: UPS 40-240 F

Amount: 1

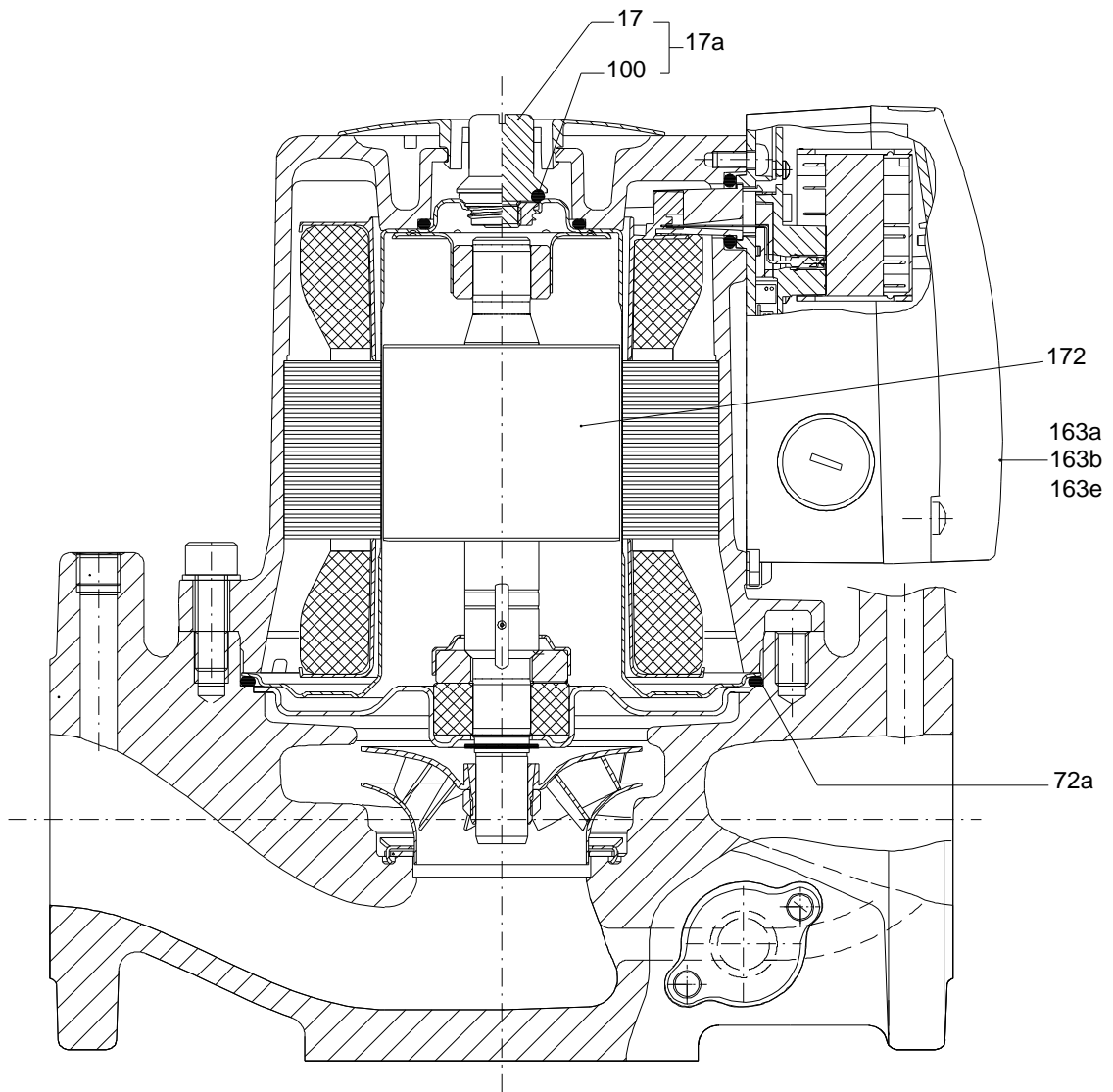
Product No.: 96402798

Total: Price on request

Exploded view (TM010410 3905)



Sectional drawing (TM010371 3905)





Company name:

Created by:

Phone:

Date:

2/21/2018

Parts list UPS 40-240 F, Prod number 96402798

Valid from 1.4.1995 (9513)

Position	Description	Annotation	Classification data	Part No.	Count	Unit
163a	Terminal box cpl.		Designation: WITH RELAY MODULE		1	pcs
163b	Terminal box cpl.		Designation: WITH STANDARD MODULE		1	pcs
163e	Terminal box cpl.		Designation: W. PROTECTION MODULE		1	pcs