

# Mult-Poise Air Handler Heat Pump System

## 40MUA

Job Data:

Location:

Carrier #:

Tag #:

Date:



| Outdoor Model # | Size |
|-----------------|------|
| 40MUAQ18XA3     | 18K  |
| 40MUAQ24XA3     | 24K  |
| 40MUAQ30XA3     | 30K  |
| 40MUAQ36XA3     | 36K  |
| 40MUAQ48XA3     | 48K  |
| 40MUAQ60XA3     | 60K  |

| Indoor Unit Selection |     |
|-----------------------|-----|
| Indoor Unit           | 60K |

### STANDARD FEATURES

- Modes: Cool, Heat, Dry, Fan, Auto
- 4 way installation  
- (Up flow, Down flow, Right, Left)
- New Aluminum Coil
- Automatic Airflow Technology with Static Pressure up to 0.8 inWG
- Less than 2% air leakage
- Traditional Unitary Line Set Sizes
- Easy Maintenance
- Quiet indoor operation
- Aluminum Hydrophilic pre-coated fins

### CONTROLS

- Wireless Remote Controller included
- Built-in 24V Interface

### LIMITED WARRANTY\*

- 10 year limited to original purchaser on compressor and parts upon timely registration, otherwise 5 years

\*For residential applications.

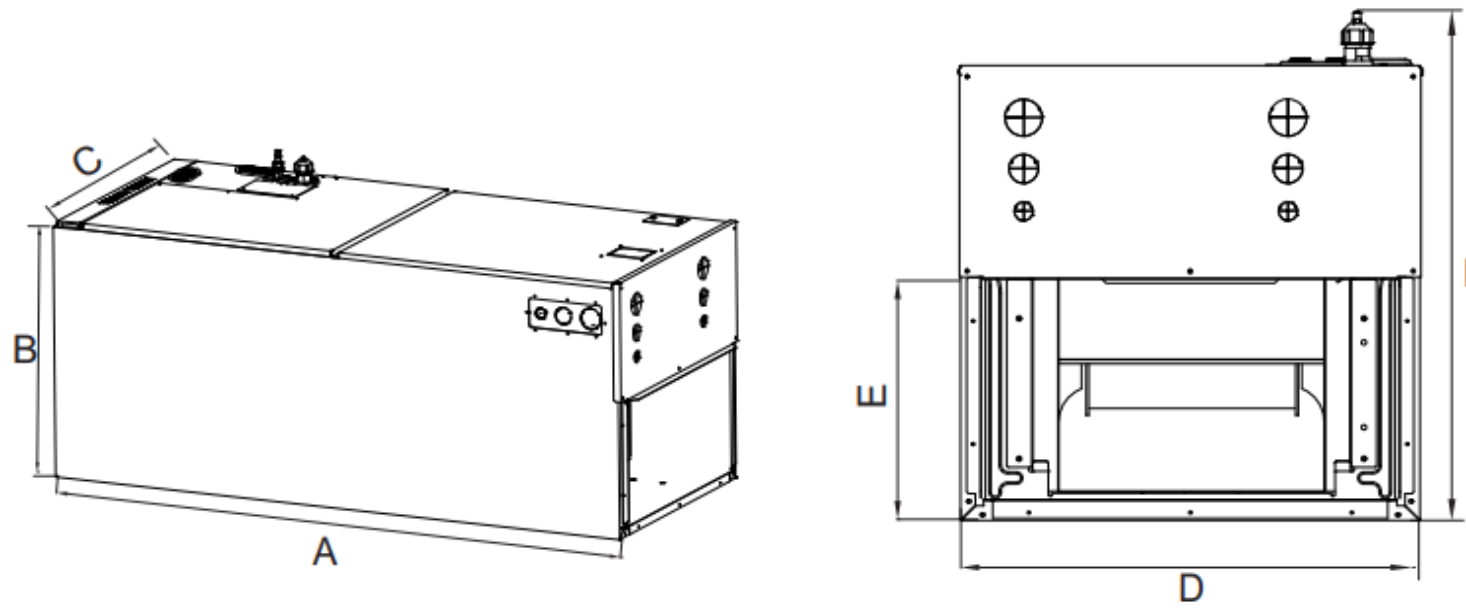
See warranty for full details

NOTE: Images for illustration purposes only. Actual models may be slightly different.

## Specifications

| Indoor - Air Handler       |   |          |  |  |  |  |                     |
|----------------------------|---|----------|--|--|--|--|---------------------|
| <b>System</b>              | <b>Indoor Size</b>                        |          |  |  |  |  | <b>60K</b>          |
| <b>Electrical</b>          | Voltage, Phase, Cycle                     | V/Ph/Hz  |  |  |  |  | 208/230-1-60        |
|                            | MCA                                       | A.       |  |  |  |  | 9                   |
|                            | Recommended Fuse Size                     | A.       |  |  |  |  | 10                  |
| <b>Operating Range</b>     | MOPA - Fuse Rating                        | A.       |  |  |  |  | 15                  |
|                            | Cooling Indoor DB Min - Max               | °F(°C)   |  |  |  |  | 60-90 (16-32)       |
|                            | Heating Indoor DB Min - Max               | °F(°C)   |  |  |  |  | 32-86(0-30)         |
| <b>Piping</b>              | Pipe Connection Size - Liquid             | in (mm)  |  |  |  |  | 3/8 (9.52)          |
|                            | Pipe Connection Size - Suction            | in (mm)  |  |  |  |  | 7/8 (22)            |
| <b>Refrigerant</b>         | Refrigerant Type                          |          |  |  |  |  | R410A               |
|                            | Metering Device                           |          |  |  |  |  | EEV                 |
| <b>Indoor Coil</b>         | Face Area                                 | Sq. Ft.  |  |  |  |  | 4.88                |
|                            | No. Rows                                  |          |  |  |  |  | 5                   |
|                            | Fins per inch                             |          |  |  |  |  | 20                  |
|                            | Circuits                                  |          |  |  |  |  | 14                  |
| <b>Airflow &amp; Sound</b> | Number of Fan Speeds (low/med/high/turbo) |          |  |  |  |  | 4                   |
|                            | Airflow (lowest to highest)               | CFM      |  |  |  |  | 1135/1359/1582/1806 |
|                            | Cooling Sound Pressure (low to high)      | dB(A)    |  |  |  |  | 45.0/49.1/52.1/55.3 |
|                            | Heating Sound Pressure (low to high)      | dB(A)    |  |  |  |  | 43.4/48.0/53.0/60.5 |
|                            | Max Static Pressure                       | In. W.G. |  |  |  |  | 0.8                 |
|                            | Field Drain Pipe Size O.D.                | in (mm)  |  |  |  |  | 3/4 (19.1)          |

## Dimensions



| Size                   |          |  |  |  |  |  | <b>60K</b>   |
|------------------------|----------|--|--|--|--|--|--------------|
| Height (H) - A         | in (mm)  |  |  |  |  |  | 53 (1346)    |
| Depth (D) - B          | in (mm)  |  |  |  |  |  | 21 (534)     |
| Width (W) - C          | in (mm)  |  |  |  |  |  | 24.5 (622)   |
| Duct Opening Width - D | in (mm)  |  |  |  |  |  | 22.875 (580) |
| Duct Opening Depth - E | in (mm)  |  |  |  |  |  | 10.25 (260)  |
| Clearance Depth - F    | in (mm)  |  |  |  |  |  | 23 (585)     |
| Operating Weight       | lbs (kg) |  |  |  |  |  | 164. (74.4)  |
| Shipping Height        | in (mm)  |  |  |  |  |  | 56.50 (1435) |
| Shipping Depth         | in (mm)  |  |  |  |  |  | 27.95 (710)  |
| Shipping Width         | in (mm)  |  |  |  |  |  | 26.77 (680)  |
| Shipping Weight        | lbs (kg) |  |  |  |  |  | 189.8 (86.1) |

Copyright 2022 CAC/BDP • Atlanta, GA, 30339

SUBJECT TO CHANGE WITHOUT NOTICE

## Accessories

| Size                                |  |  |  |  |  |  | <b>60K</b>   |
|-------------------------------------|--|--|--|--|--|--|--------------|
| Electric Heater Kit 5kW             |  |  |  |  |  |  |              |
| Electric Heater Kit 8kW             |  |  |  |  |  |  |              |
| Electric Heater Kit 10kW            |  |  |  |  |  |  | EHKMB10KN    |
| Electric Heater Kit 15kW            |  |  |  |  |  |  | EHKMB15KN    |
| Electric Heater Kit 20kW            |  |  |  |  |  |  | EHKMB20KN    |
| Electric Heater Kit 25kW            |  |  |  |  |  |  | EHKMB25KN    |
| 7-Day Programmable Wired Controller |  |  |  |  |  |  | KSACN1001AAA |
| Infinity® Air Purifier Size 1620    |  |  |  |  |  |  |              |
| Infinity® Air Purifier Size 2020    |  |  |  |  |  |  |              |
| Infinity® Air Purifier Size 2420    |  |  |  |  |  |  | DGAPAXXX2420 |

Catalog No.: 40MUA-02SB

Replaces: 40MUA-01SB

Edition Date: 10/2022

