

CLEVIS HANGERS



FUNCTION: Designed for the suspension of non-insulated stationary pipe lines. Fig. 450F has a layer of felt which separates the pipe from the hanger to reduce vibration and sound. The PVC coating on Fig. 453 protects the pipe from the metal surface of the hanger.

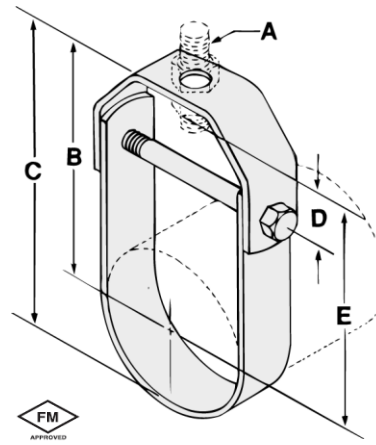
APPROVALS: Underwriters' Laboratories Listed in the U.S. (UL) and Factory Mutual Approved for 2 1/2" (65) to 8" (200) only. Complies with Federal Specifications A-A-1192A (Type 1) and Manufacturers' Standardization Society ANSI/SP-69 and SP-58 (Type 1).

MATERIAL: Low carbon steel

ORDERING: Specify pipe size and figure number.

Note: When an over-sized clevis is used, a pipe spacer should be placed over the clevis bolt to prevent the lower U-strap from moving inward.

Fig. 450F, 451F & 453 only available up to 8" (200) pipe size.



"D" Adjustment
(Top of cross bolt to bottom of hanger rod nut.)

Fig. 450, 450F, 451, 451F, 453 & 454 STANDARD CLEVIS HANGER

- Fig. 450** PLAIN
- Fig. 450F** PLAIN WITH FELT LINING
- Fig. 451** ELECTRO-GALVANIZED
- Fig. 451F** ELECTRO-GALVANIZED WITH FELT LINING
- Fig. 453** PLAIN WITH PVC COATING
- Fig. 454** HOT DIPPED GALVANIZED W/ELECTRO-GALVANIZED HARDWARE

Pipe Size	Rod Size A	B	C	Adjustment D		E	Cross Bolt	Max. Rec. Load		Wt. Each	
				lbs.	kN			lbs.	kg		
1/2 (15)	3/8	2 7/16 (61.9)	2 7/8 (73.0)	1 1/8 (28.6)	2 (50.8)	1/4	730 (3.25)	0.24 (0.11)			
3/4 (20)	3/8	2 5/8 (66.7)	3 1/8 (79.4)	1 1/4 (31.8)	2 3/16 (55.6)	1/4	730 (3.25)	0.24 (0.11)			
1 (25)	3/8	3 1/16 (77.8)	3 3/4 (95.3)	1 5/8 (41.3)	2 5/8 (66.7)	1/4	730 (3.25)	0.28 (0.13)			
1 1/4 (32)	3/8	3 3/8 (85.7)	4 3/16 (106.4)	1 5/8 (41.3)	2 15/16 (74.6)	1/4	730 (3.25)	0.32 (0.15)			
1 1/2 (40)	3/8	3 1/2 (88.9)	4 7/16 (112.7)	1 1/2 (38.1)	3 1/16 (77.8)	1/4	730 (3.25)	0.40 (0.18)			
2 (50)	3/8	3 3/4 (95.3)	5 (127.0)	1 5/8 (41.3)	3 5/16 (84.1)	1/4	730 (3.25)	0.52 (0.24)			
2 1/2 (65)	1/2	4 5/8 (117.5)	6 1/16 (154.0)	2 (50.8)	4 1/16 (103.2)	3/8	1350 (6.01)	0.72 (0.33)			
3 (80)	1/2	4 7/8 (123.8)	6 5/8 (168.3)	1 13/16 (46.0)	4 1/4 (108.0)	3/8	1350 (6.01)	0.78 (0.35)			
3 1/2 (90)	1/2	4 1/2 (114.3)	6 1/2 (165.1)	1 1/4 (31.8)	3 7/8 (98.4)	3/8	1350 (6.01)	1.16 (0.53)			
4 (100)	5/8	5 1/2 (139.7)	7 1/16 (195.3)	1 3/4 (44.5)	4 11/16 (119.1)	3/8	1430 (6.36)	1.35 (0.61)			
5 (125)	5/8	6 1/8 (155.6)	9 1/8 (231.8)	1 7/8 (47.6)	5 5/16 (134.9)	1/2	1430 (6.36)	1.88 (0.85)			
6 (150)	3/4	6 7/8 (174.6)	10 1/8 (257.2)	1 5/8 (41.3)	6 (152.4)	1/2	1940 (8.63)	2.76 (1.25)			
8 (200)	3/4	8 3/4 (222.3)	12 7/8 (327.0)	2 1/8 (54.0)	7 7/8 (200.0)	5/8	2000 (8.90)	4.35 (1.97)			
10 (250)	7/8	10 3/8 (263.5)	15 3/4 (400.1)	2 3/8 (60.3)	9 1/8 (231.8)	3/4	3600 (16.01)	8.22 (3.73)			
12 (300)	7/8	11 5/8 (295.3)	18 (457.2)	2 1/2 (63.5)	10 1/2 (266.7)	3/4	3800 (16.90)	10.05 (4.56)			
14 (350)	1	12 3/4 (323.9)	19 3/4 (501.7)	2 5/8 (66.7)	11 1/4 (285.8)	7/8	4200 (18.68)	12.97 (5.88)			
16 (400)	1	14 1/8 (358.8)	22 1/8 (562)	2 5/8 (66.7)	13 5/8 (346.1)	1	4600 (20.46)	20.85 (9.46)			
18 (450)	1 1/8	16 1/2 (419.1)	25 1/2 (647.7)	3 1/2 (88.9)	15 (381.0)	1 1/8	4800 (21.35)	24.75 (11.23)			
20 (500)	1 1/4	18 (457.2)	28 (711.2)	4 1/8 (104.8)	16 1/8 (409.6)	1 1/4	4800 (21.35)	42.45 (19.26)			
24 (600)	1 1/4	20 1/4 (514.4)	32 1/4 (819.2)	4 3/4 (120.7)	18 3/8 (466.7)	1 1/4	4800 (21.35)	48.65 (22.07)			
30 (750)	1 1/4	24 1/2 (622.3)	38 7/8 (987.4)	5 1/2 (139.7)	21 1/2 (546.1)	1 1/4	6000 (26.69)	69.83 (31.67)			
36 (900)	1 1/2	32 (812.8)	50 (1270.0)	8 3/4 (222.3)	30 (762.0)	1 1/2	9500 (42.26)	175.00 (79.38)			

Note: Use of an upper locknut ensures proper performance. Pipe spacers provided on 30" (750mm) and larger clevises. If ordering Fig. 450F felt lined hangers for pipe sizes of 3 1/2" (90mm) or under, order the next largest size to allow for the thickness of the felt lining.

Unless otherwise specified, all dimensions on drawings and in charts are in inches and dimensions shown in parentheses are in millimeters.