



Owner's Manual

Includes Use and Care Instructions
and Warranty Information

READ AND SAVE THESE INSTRUCTIONS

Visit us at Aprilaire.com

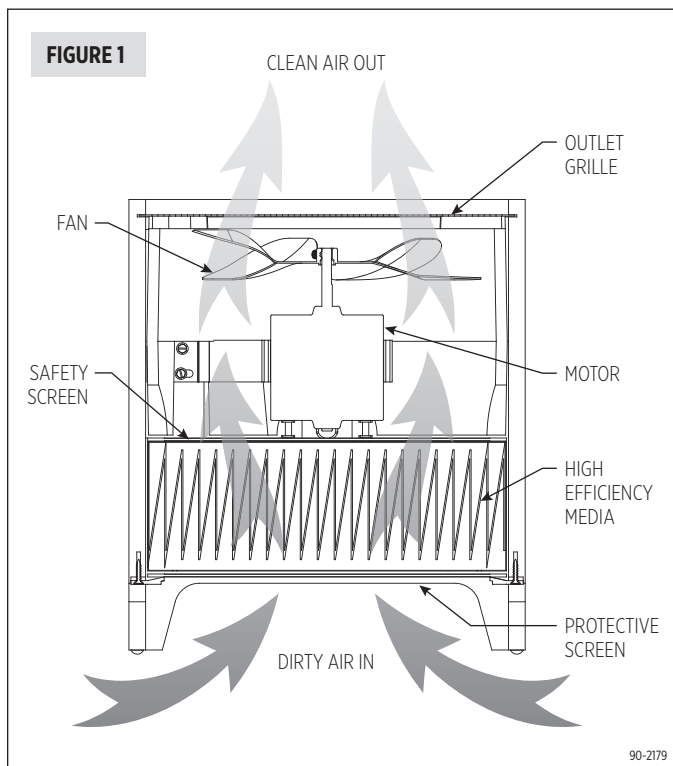
YOUR NEW APRILAIRE® MODEL 2275 HIGH EFFICIENCY AIR PURIFIER

Aprilaire® has been the industry leader in whole home high efficiency air cleaning for over 40 years. We are now bringing our air cleaning expertise to a portable unit. Your Aprilaire® Model 2275 High Efficiency Air Purifier is ideal for use in apartments or in single rooms in your home, anywhere clean air is required. The unit effectively reduces irritating airborne particles such as dust, pollen, pet dander and tobacco smoke leaving your home's air purifier and fresher. It is especially useful for reducing the discomfort from allergies by trapping pollutants in its disposable media filter. This unique high efficiency media filter has a deep fold design providing more than 10.8 square feet of filtering surface. The efficiency of the media filter will increase as it loads with particles that are permanently trapped.

HOW IT WORKS

Your Aprilaire Model 2275 High Efficiency Air Purifier operates by running its fan and drawing in dirty air through the bottom of the unit. The air passes through the deep pleated high efficiency media filter permanently trapping airborne particles. Clean air is discharged into the room through the outlet grille on the top of the unit. See **FIGURE 1**.

In a 16' x 16' x 8' room (2,048 cubic ft) the unit will filter all of the air in the room approximately four times per hour at high speed and about three times per hour at low speed. For maximum effectiveness the unit should operate continuously.



OPERATING INSTRUCTIONS

Your Aprilaire Model 2275 High Efficiency Air Purifier comes fully assembled and ready to operate.

1. Plug the power cord into a standard grounded outlet. This appliance has a polarized plug (one blade is wider than the other). To reduce the risk of electric shock, this plug is intended to fit in a polarized outlet only one way. If the plug does not fit fully in the outlet, reverse the plug. If it still does not fit, contact a qualified electrician. Do not attempt to defeat this safety feature.
 2. Set the airflow speed to either **High**, **Low** or **Off** with the side mounted switch.
- **Do not** remove the motor compartment safety screen.
 - **Do not** place items on the unit.
 - **Do not** use the unit as a step stool, chair or end table, etc.

Air can enter the unit from all sides so it is important to position the air purifier away from walls or furniture which may obstruct the inlet and reduce effectiveness.

To rid a room of undesirable airborne particles it is recommended that high speed be used initially. Once the air is clean, low speed may be used continuously to maintain that cleanliness. Quiet operation on low speed is also well suited for use in the bedroom while sleeping. The unit operates for less than 18¢/day (at 14¢ per kw/hr).

CAUTION

This air purifier is an electrical appliance and does not contain user serviceable electrical components.

MAINTENANCE

The high efficiency media should be replaced approximately every 6 months based on average conditions and 8 hours of operation per day.

- Be sure to replace with only genuine Aprilaire media (**part number 275**) for continued peak efficiency and overall performance.
- The protective screen should be washed in warm water each time the media is replaced. Allow the screen to dry thoroughly before reinstalling.
- The motor is permanently lubricated and should never require oiling.
- Clean the air purifier cabinet with a damp cloth. A mild soap solution will not harm the cabinet finish.
- **Do not** spill or spray liquids into the air purifier motor compartment.

REPLACING THE FILTER MEDIA

See **FIGURE 2**.

1. Turn the unit's power switch to the **Off** position.
2. Unplug the power cord.
3. Place the unit on its side and turn the retaining clips outward.
4. Remove the protective screen using the pull tab.
5. Remove and discard the old media.
6. Remove perforated panels from the new media.
7. Inset the new media with the airflow arrow pointing upward toward the motor.
8. Wash and reinsert the protective screen and turn the retaining clips inward to hold the screen.
9. Plug in the power cord and set power switch to desired position.

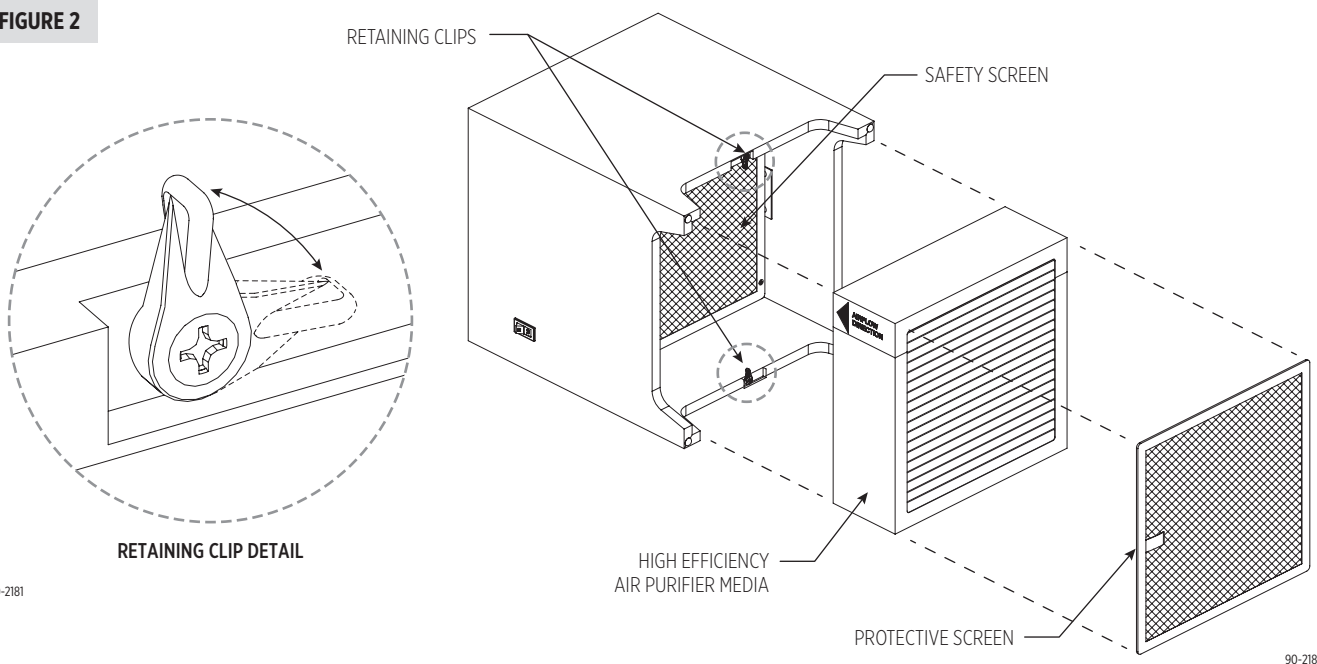
SPECIFICATIONS

Size	11-7/8" w x 11-7/8" d x 13-3/4" h
Weight	13 pounds
Air purifier media size	10-3/4" x 10-3/4" x 4"
Air purifier media area	10.8 square feet
Electrical	120 VAC, 60 Hz Low speed: 35 watts High speed: 51 watts
Air flow	Low speed: 100 CFM High speed: 140 CFM
Air changes per hour	16' x 16' room (8 foot ceiling) Low speed: 3 air changes per hour High speed: 4 air changes per hour
Media performance	Particle size efficiency: reaches 99% on particles 5 micron in diameter or larger

⚠ WARNING

To reduce the risk of fire or electrical shock, **do not** use the air purifier with any type of solid state fan speed control device.

FIGURE 2



LIMITED WARRANTY

Your Research Products Corporation Aprilaire® High Efficiency Air Purifier is expressly warranted for one (1) year from date of installation to be free from defects in materials or workmanship. Research Products Corporation's exclusive obligation under this warranty shall be to supply, without charge, a replacement for any component which is found to be defective within such one (1) year period and which is returned not later than thirty (30) days after said one (1) year period by you to either your original supplier or to Research Products Corporation, Madison, Wisconsin 53701, together with the model number and installation date of the air purifier.

THIS WARRANTY SHALL NOT OBLIGATE RESEARCH PRODUCTS CORPORATION FOR ANY LABOR COSTS AND SHALL NOT APPLY TO DEFECTS IN WORKMANSHIP OR MATERIALS FURNISHED BY YOUR INSTALLER AS CONTRASTED TO DEFECTS IN THE AIR PURIFIER ITSELF.

IMPLIED WARRANTIES OF MERCHANTABILITY OR FITNESS FOR A PARTICULAR PURPOSE SHALL BE LIMITED IN DURATION TO THE AFORESAID ONE YEAR PERIOD. RESEARCH PRODUCTS CORPORATION'S LIABILITY FOR INCIDENTAL OR CONSEQUENTIAL DAMAGES, OTHER THAN DAMAGES FOR PERSONAL INJURIES, RESULTING FROM ANY BREACH OF THE AFORESAID IMPLIED WARRANTIES OR THE ABOVE LIMITED WARRANTY IS EXPRESSLY EXCLUDED. THIS LIMITED WARRANTY IS VOID IF DEFECTS(S) RESULT FROM FAILURE TO HAVE THIS UNIT INSTALLED BY A QUALIFIED HEATING AND AIR CONDITIONING CONTRACTOR. IF THE LIMITED WARRANTY IS VOID DUE TO FAILURE TO USE A QUALIFIED CONTRACTOR, ALL DISCLAIMERS OF IMPLIED WARRANTIES SHALL BE EFFECTIVE UPON INSTALLATION.

Some states do not allow limitations on how long an implied warranty lasts or the exclusion or limitation of incidental or consequential damages so the above exclusion or limitations may not apply to you.

This warranty gives you specific legal rights and you may also have other rights which vary from state to state.

WARRANTY REGISTRATION

Visit us online at www.aprilaire.com to register your Aprilaire product. If you do not have online access, please mail a postcard with your name, address, phone number, email address, product purchased, model number, date of purchase, and dealer name and address to: Research Products Corporation, P.O. Box 1467, Madison, WI 53701.

Your warranty registration information will not be sold or shared outside of this company.



Aprilaire.com
P.O. Box 1467 Madison, WI 53701-1467
800-334-6011 F: 608-257-4357

Printed in USA
©2016 Aprilaire – A division of Research Products Corporation
10011594 B2701377B 6.16