



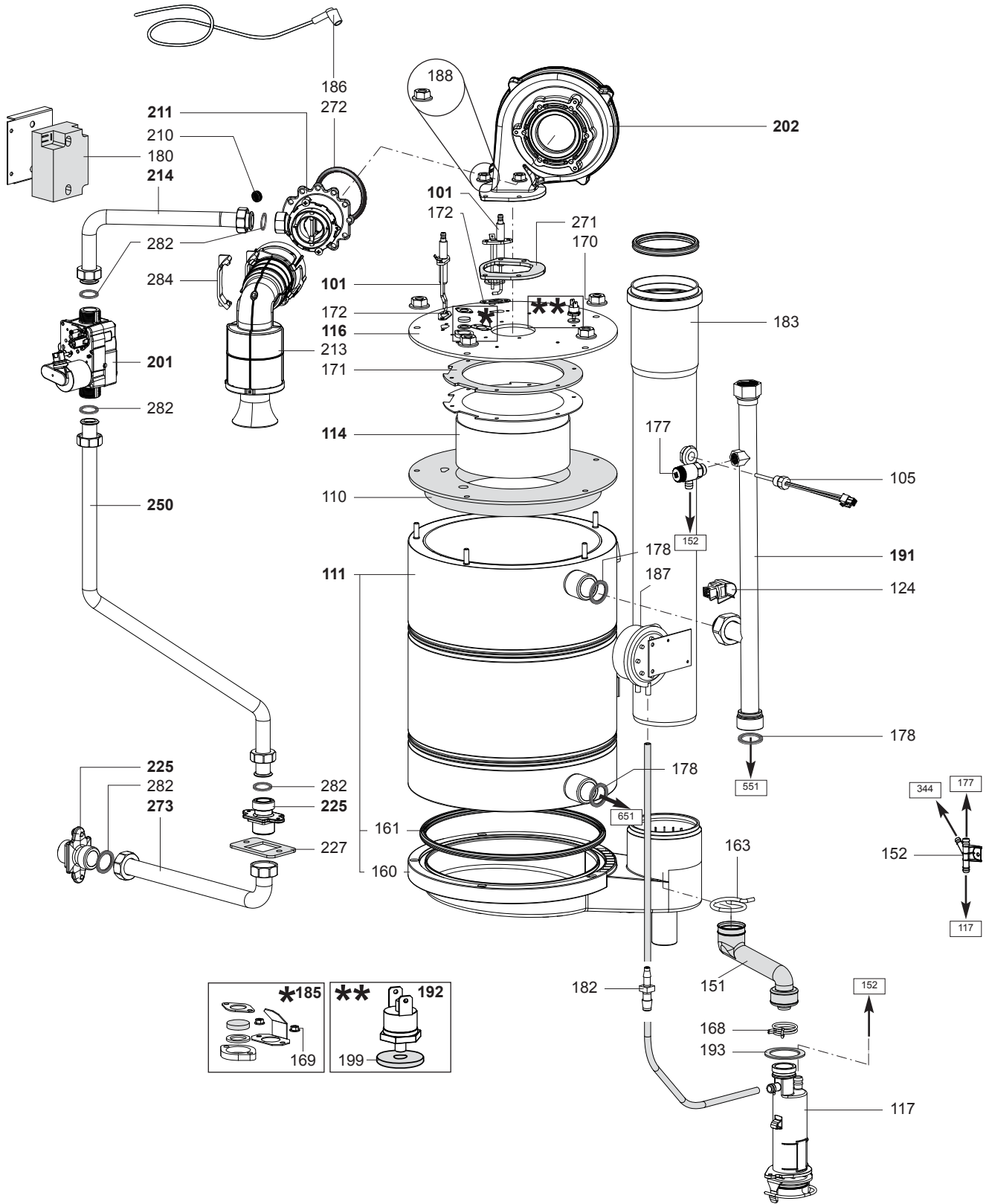
SPARE PARTS EXPLODED VIEW GAS-WALL CONDENSING BOILERS

Model

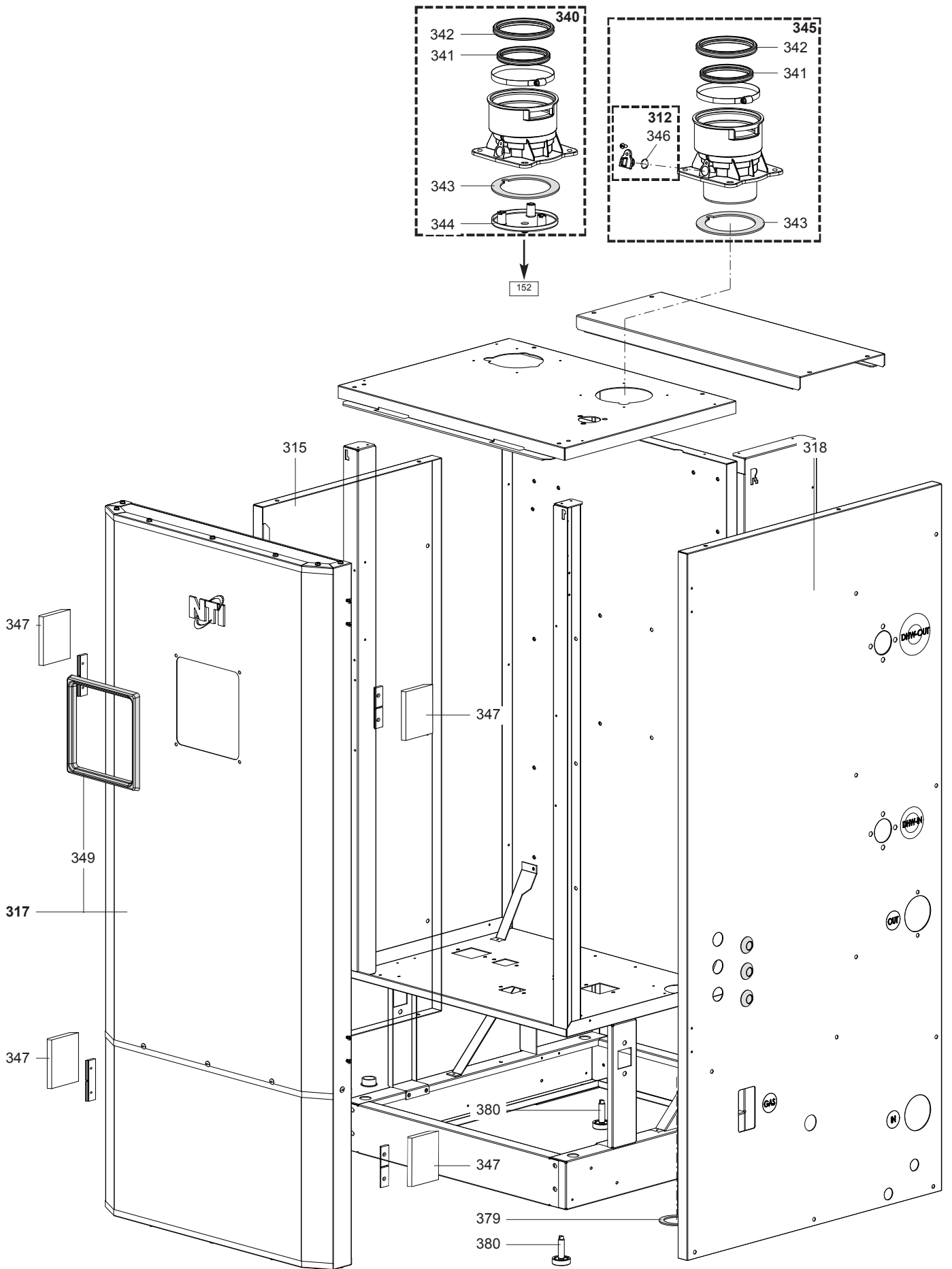
NC085-199(C) COMPASS

R8219272-01 - 26/03/2024

1	3260177	NC085 NTI COMPASS FIRE TUBE BOILER	04-2024	-
2	3260178	NC110 NTI COMPASS FIRE TUBE BOILER	04-2024	-
3	3260179	NC110C NTI COMPASS FIRE TUBE BOILER	04-2024	-
4	3260180	NC150 NTI COMPASS FIRE TUBE BOILER	04-2024	-
5	3260181	NC150C NTI COMPASS FIRE TUBE BOILER	04-2024	-
6	3260182	NC199 NTI COMPASS FIRE TUBE BOILER	04-2024	-
7	3260183	NC199C NTI COMPASS FIRE TUBE BOILER	04-2024	-
Col	Reference	Model type	Begin	End



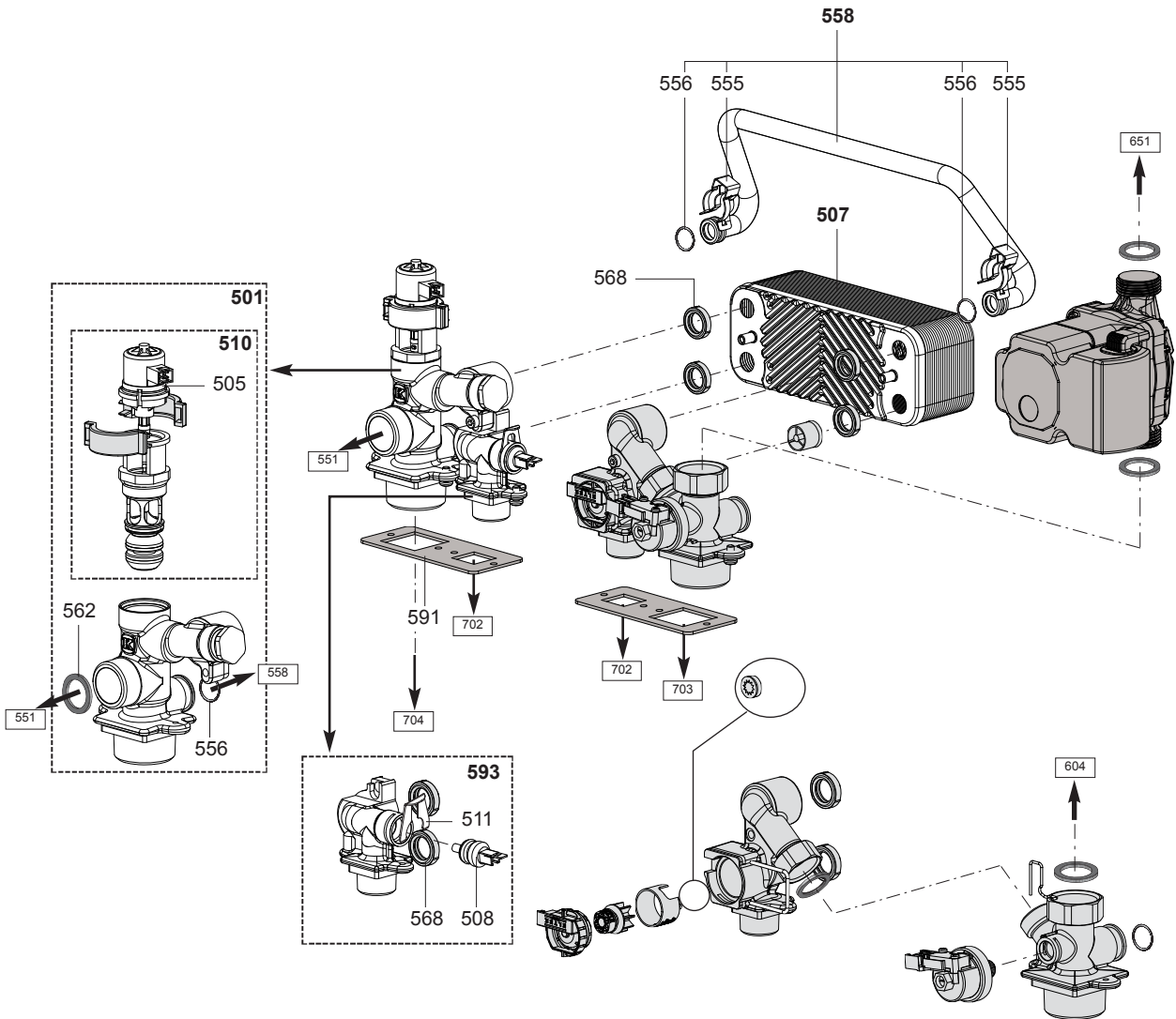
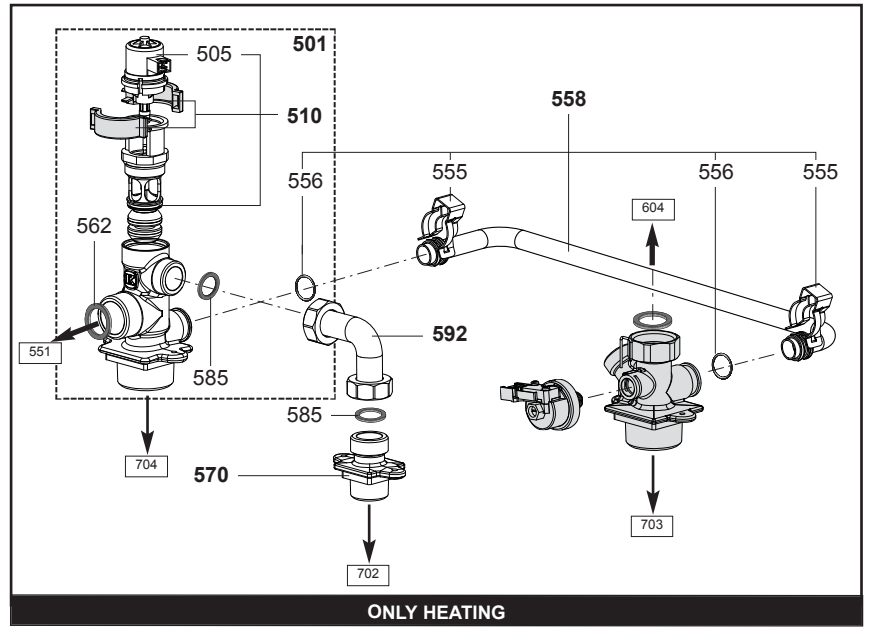
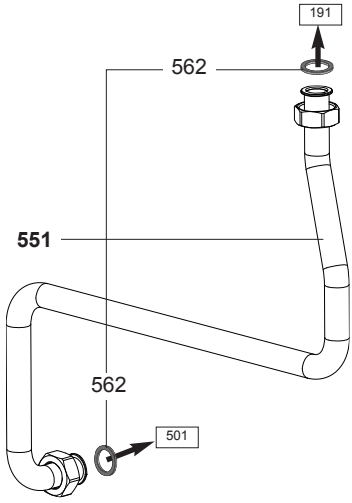
☉⇒	Description	Manf. Pt. N	Type	<div style="display: flex; justify-content: space-between; align-items: center;"> <div style="transform: rotate(-45deg); font-size: small;"> NC085 COMPASS NC110 COMPASS NC110(C) COMPASS NC180 COMPASS NC150(C) COMPASS NC199 COMPASS NC199(C) COMPASS </div> <div style="border: 1px solid black; padding: 2px;">31</div> </div>																		From	to
				1	2	3	4	5	6	7	8	9	10	11	12	13	14	15	16	17	18		
0100	EXCHANGER BLOCK																						
0101	IGNITION ELECTRODE	6500645000		•	•	•	•	•	•	•	•												
0105	NTC FLUE SENSOR 4X45 1/4 10K3 SS	64980174		•	•	•	•	•	•	•	•												
0110	INSULATION (BURNER DOOR DISC-VC30)	64980168		•	•	•																	
	INSULATION (BURNER DOOR DISC-VC45)	64980169					•	•															
	INSULATION (BURNER DOOR DISC-VC60)	64980170								•	•												
0111	HEAT EXCHANGER VC30 AIC	64980160		•	•	•																	
	HEAT EXCHANGER VC45 AIC	64980161					•	•															
	HEAT EXCHANGER VC60 AIC	64980162								•	•												
0114	BURNER VC30	64980158		•	•	•																	
	BURNER VC45/VC60	64980159					•	•	•	•													
0116	BURNER TOP PLATE	64980461		•	•	•																	
	BURNER TOP PLATE	64980462					•	•															
	BURNER TOP PLATE	64980463								•	•												
0117	CONDENSATE TRAP	64980219		•	•	•	•	•	•	•	•												
0124	TEMPERATURE PROBE + CLIP	990686-01		•	•	•	•	•	•	•	•												
0151	CONDENSATE DRAIN PIPE	64980178		•	•	•	•	•	•	•	•												
0152	COUPLING Y HOSE CONNECTOR	64980263		•	•	•	•	•	•	•	•												
0160	CONDENSATE DISH ONLY VC30	64980675		•	•	•																	
	CONDENSATE DISH ONLY VC45	6000086929					•	•															
	CONDENSATE DISH ONLY VC60	6000086930								•	•												
0161	GASKET (CONDENSATE DISH)	6000086932					•	•															
	GASKET (CONDENSATE DISH)	6000086933								•	•												
	GASKET (CONDENSATE DISH)	64980677		•	•	•																	
0163	CLAMP	64980243		•	•	•	•	•	•	•	•												
0168	HOSE CLAMP	60000533		•	•	•	•	•	•	•	•												
0169	NUT, SERRATED FLANGE M3	64980242		•	•	•	•	•	•	•	•												
0170	NUT, SERRATED FLANGE M6	64980246		•	•	•	•	•	•	•	•												
0171	GASKET (BURNER-VC30)	64980166		•	•	•																	
	GASKET (BURNER-VC45/VC60)	64980167					•	•	•	•													
0172	GASKET (ELECTRODE)	64980223		•	•	•	•	•	•	•	•												
0177	AIR VENT	64980150		•	•	•	•	•	•	•	•												
0178	GASKET, 1" Fibre AFM34/2 REINZ	64980701		•	•	•	•	•	•	•	•												
0180	SPARK GENERATOR	65119323		•	•	•	•	•	•	•	•												
0182	CONNECTOR TUBING 3/8 in x 1/4 in, barbed	64980244		•	•	•	•	•	•	•	•												
0183	FLUE PIPE (POLYPROPYLENE)	64980173		•	•	•	•	•	•	•	•												
0185	SIGHT GLASS (COMPLETE)	64980222		•	•	•	•	•	•	•	•												
0186	CABLE (IGNITION ELECTRODE)	64980171		•	•	•	•	•	•	•	•												
0187	AIR PRESSURE SWITCH	65118678		•	•	•	•	•	•	•	•												
0188	NUT, SERRATED FLANGE M5-08	64980241		•	•	•	•	•	•	•	•												
0191	PIPE (MANIFOLD)	64980154		•	•	•	•	•	•	•	•												
0192	PLUG (THERMAL SWITCH HOLE)	64980687		•	•	•	•	•	•	•	•												
0193	GASKET (CONDENSATE TRAP)	64980674		•	•	•	•	•	•	•	•												
0199	GASKET, THERMAL SWITCH TO TOP PLATE	64980507		•	•	•	•	•	•	•	•												
0200	GAS SECTION																						
0201	GAS VALVE, HONEYWELL KV4205	65118645		•	•	•	•	•	•	•	•												
0202	VENTILATOR	64980119									•	•											
	VENTILATOR	64980120		•	•	•	•	•	•														
0210	GAS DIAPHRAGM D: 6.40 (LP)	60001923		•	•	•	•	•	•														
	GAS DIAPHRAGM D: 6.90	60001924								•	•												
	GAS DIAPHRAGM D: 8.5 (NG)	65118713					•	•															
0211	MIXER 085-110 LP FT	64980100		•	•	•																	
	MIXER 150-150C LP FT	64980102					•	•															
	MIXER 199-199C LP FT	64980104								•	•												
	MIXER, 085-110-110C NG FT	64980124		•	•	•																	
	MIXER, 150-150C NG FT	64980125					•	•															
	MIXER, 199-199C NG FT	64980126								•	•												
0213	SILENCER	64980127		•	•	•	•	•	•	•	•												
0214	PIPE (GAS OUTLET)	6500711500		•	•	•																	
	PIPE (GAS VALVE-MIXER) stainless	64980664					•	•															
	PIPE (GAS VALVE-MIXER) stainless	64980680								•	•												
0225	ADAPTER, BRASS, M3-4NPTXM3-4G	6000086776		•	•	•	•	•	•	•	•												
0227	GASKET (GAS ADAPTER)	64980217		•	•	•	•	•	•	•	•												
0250	PIPE (GAS INLET) stainless	64980442		•	•	•	•	•	•	•	•												
0271	GASKET (BLOWER)	64980678								•	•												
	GASKET (VENTILATOR)	64980699		•	•	•	•	•	•														
0272	O-RING 165 NBR 70 Sh 61.91x3,53	60001878		•	•	•	•	•	•	•	•												
0273	PIPE (GAS)	6500706500		•	•	•	•	•	•	•	•												
0282	GASKET 3/4" th. 3 NBR TEFLON-YELLOW	64980284		•	•	•	•	•	•	•	•												
0284	SILENCER SPACER	6000086861		•	•	•	•	•	•	•	•												



☉⇒	Description	Manf. Pt. N	Type	<div style="display: flex; justify-content: space-between; align-items: center;"> <div style="writing-mode: vertical-rl; transform: rotate(180deg); font-size: small;"> NC085 COMPASS NC110 COMPASS NC110(C) COMPASS NC180 COMPASS NC150(C) COMPASS NC199 COMPASS NC199(C) COMPASS </div> <div style="border: 1px solid black; padding: 2px;"> 31 </div> </div>																		From	to
				1	2	3	4	5	6	7	8	9	10	11	12	13	14	15	16	17	18		
0300	CHASSIS-FRONT CASE																						
0312	FLUE TEST PORT PLUG	64980209		•	•	•	•	•	•	•	•												
0315	PANEL (L.H. SIDE)	6500706800		•	•		•		•														
	PANEL (L.H. SIDE)	6500706900					•		•		•												
0317	PANEL (FRONT)	6500707000		•	•	•	•	•	•	•	•												
0318	PANEL (R.H. SIDE)	6500706600		•	•		•		•														
	PANEL (R.H. SIDE)	6500706700					•		•		•												
0340	ADAPTOR (AIR INLET)	64980206		•	•	•	•	•	•	•	•												
0341	SEAL GASKET OUTLET 80	64980237		•	•	•	•	•	•	•	•												
0342	GASKET D90 EPDM SH.A PEROX	64980207		•	•	•	•	•	•	•	•												
0343	FOAM FLUE GAS ADAPTOR	64980208		•	•	•	•	•	•	•	•												
0344	TRAY CONDENS	64980233		•	•	•	•	•	•	•	•												
0345	ADAPTOR (FLUE OUTLET)	64980210		•	•	•	•	•	•	•	•												
0346	O-RING SEAL 2,7X8,9 EPDM PEROX 70 Sh.	64980236		•	•	•	•	•	•	•	•												
0347	DOOR LATCH	64980238		•	•	•	•	•	•	•	•												
0349	BEZEL	6500605300		•	•	•	•	•	•	•	•												
0379	GASKET (CONDENSATE TRAP)	64980674		•	•	•	•	•	•	•	•												
0380	LEG, LEVELER ASSMBLD, 3-8-16 X 1.5	6000084072		•	•	•	•	•	•	•	•												

NC085-199(C) COMPASS

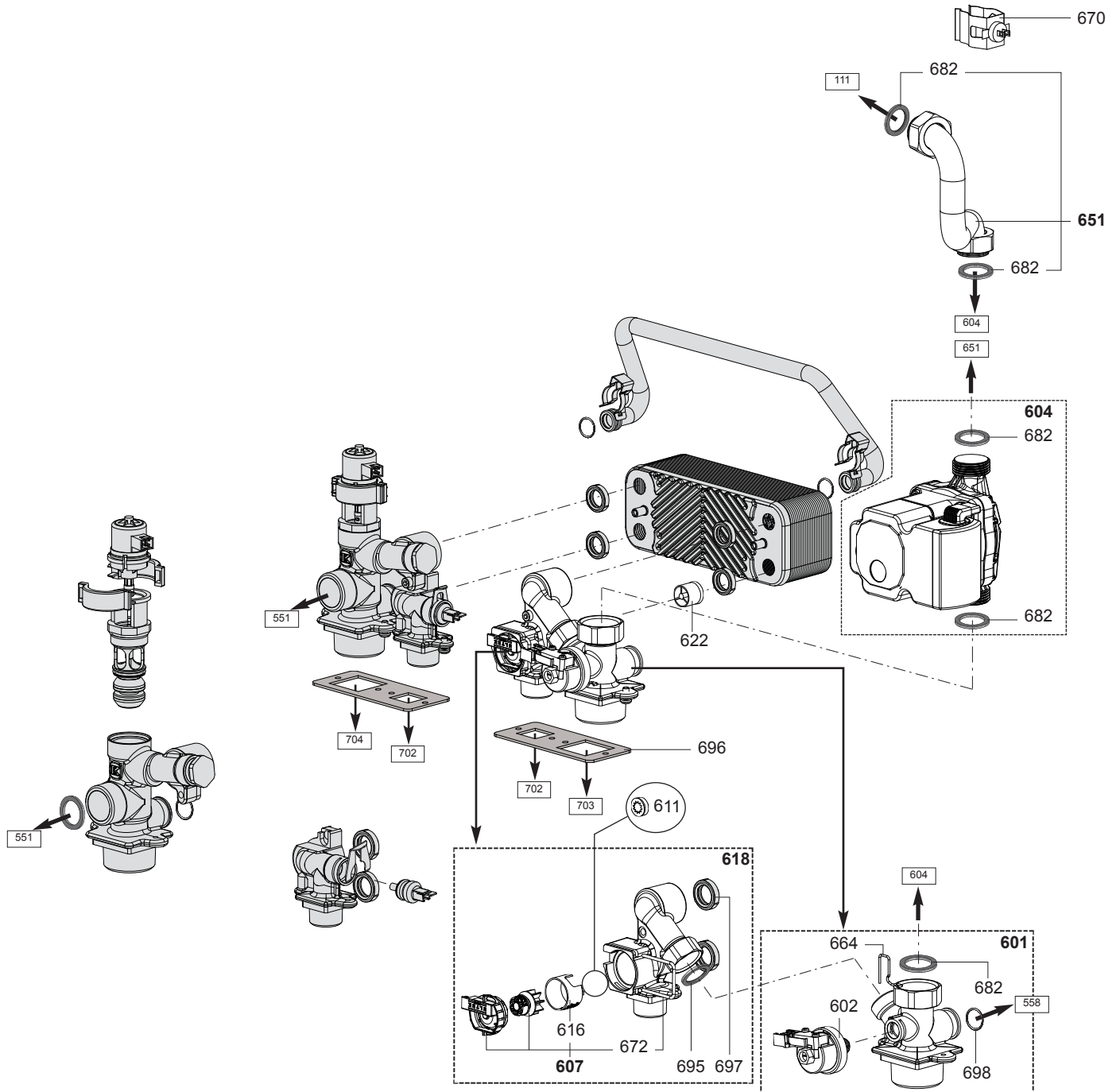
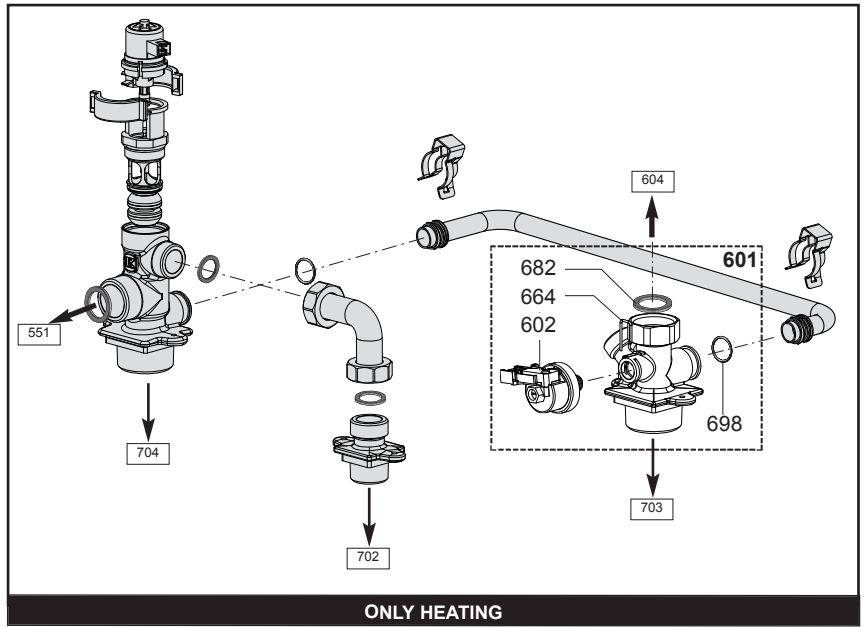
Gas-wall condensing boilers



☉⇒	Description	Manf. Pt. N	Type	<div style="display: flex; justify-content: space-between; align-items: center;"> <div style="writing-mode: vertical-rl; transform: rotate(180deg); font-size: small;"> NC085 COMPASS NC110 COMPASS NC110(C) COMPASS NC180 COMPASS NC150(C) COMPASS NC199 COMPASS NC199(C) COMPASS </div> <div style="border: 1px solid black; padding: 2px; font-weight: bold; font-size: small;">31</div> </div>																		From	to
				1	2	3	4	5	6	7	8	9	10	11	12	13	14	15	16	17	18		
0500	FLOW GROUP																						
0501	GROUP (3 WAY VALVE)	64980860					•		•		•												
	GROUP (3 WAY VALVE-SYSTEM)	64980859		•	•			•		•													
0505	MOTOR (3-WAY VALVE) steel shaft Moons	64980862		•	•	•	•	•	•	•	•												
0507	SANITARY HEAT EXCHANGER (27 P.)	64980203						•		•		•											
0508	SENSOR (NTC)	65121175						•		•		•											
0510	3-WAY VALVE (MOTOR MOONS+CARTDR.)	64980861		•	•	•	•	•	•	•	•												
0511	CLIP D:12	65104339						•		•		•											
0551	PIPE (C.H. OUTLET)	64980156		•	•	•	•	•	•	•	•												
0555	CLIP (BY-PASS PIPE-SYSTEM)	64980186		•	•	•	•	•	•	•	•												
0556	O-RING 13.95 X 2.62	64980202		•	•	•	•	•	•	•	•												
0558	BY-PASS PIPE	64980187		•	•			•		•		•											
	BY-PASS PIPE	64980197						•		•		•											
0562	GASKET, 1" Fibre AFM34/2 REINZ	64980701		•	•	•	•	•	•	•	•												
0568	EXCHANGER GASKET	65114928						•		•		•											
0570	CONNECTION M 3/4 NPT - M 3/4 G	64980188		•	•	•	•	•	•	•	•												
0585	GASKET 3/4 INCH (AFM34/2 REINZ)	573520		•	•			•		•		•											
0591	GASKET (HYDROBLOCK)	64980250		•	•	•	•	•	•	•	•												
0592	PIPE (CH OUTLET)	64980189		•	•	•		•		•		•											
0593	GROUP (DHW OUTLET)	64980194						•		•		•											

NC085-199(C) COMPASS

Gas-wall condensing boilers



NC085 COMPASS
 NC110 COMPASS
 NC110(C) COMPASS
 NC180 COMPASS
 NC150(C) COMPASS
 NC199 COMPASS
 NC199(C) COMPASS

31

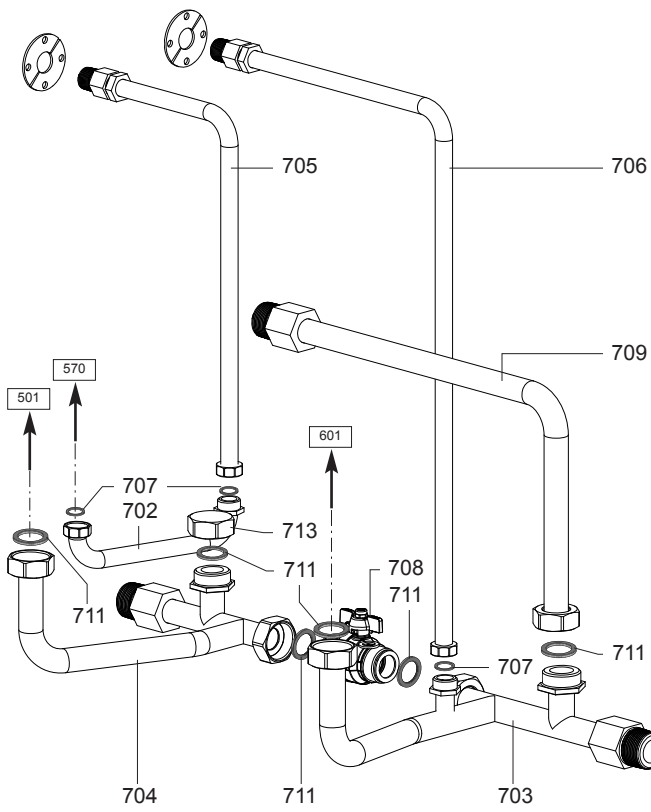
☉➔	Description	Manf. Pt. N	Type	NC085 COMPASS																	
				1	2	3	4	5	6	7	8	9	10	11	12	13	14	15	16	17	18
				From															to		
0600	RETURN GROUP																				
0601	GROUP (PUMP)	6500682300		•	•	•		•													
	GROUP (PUMP-COMBI)	64980221				•			•												
0602	PRESSURE SWITCH (PROPORTIONAL)	65115793		•	•	•	•	•	•	•	•	•	•	•	•	•	•	•	•		
0604	PUMP ES2 3VK 63-7C-C US VER STEP2	64980191		•	•	•	•	•	•	•	•	•	•	•	•	•	•	•	•		
0607	FLOW METER	64980195				•			•												
0611	DHW FLOW RESTRICTORS (KIT)	64980196				•				•											
0616	DHW FILTER	64980266				•				•											
0618	GROUP (COLD WATER INLET)	64980220				•					•										
0622	BY-PASS	64980204		•	•	•	•	•	•	•	•	•	•	•	•	•	•	•	•		
0651	PIPE (C.H. RETURN)	64980155		•	•	•	•	•	•	•	•	•	•	•	•	•	•	•	•		
0664	CLIP	65104322		•	•	•	•	•	•	•	•	•	•	•	•	•	•	•	•		
0670	TEMPERATURE PROBE + CLIP	990686-01		•	•	•	•	•	•	•	•	•	•	•	•	•	•	•	•		
0672	CLIP (FLOW METER)	64980200				•				•											
0682	GASKET, 1" Fibre AFM34/2 REINZ	64980701		•	•	•	•	•	•	•	•	•	•	•	•	•	•	•	•		
0695	GASKET 3/4 INCH (AFM34/2 REINZ)	573520		•	•	•	•	•	•	•	•	•	•	•	•	•	•	•	•		
0696	GASKET (HYDROBLOCK)	64980250		•	•	•	•	•	•	•	•	•	•	•	•	•	•	•	•		
0697	EXCHANGER GASKET	65114928				•				•											
0698	O-RING 13.95 X 2.62	64980202				•				•											

NC085-199(C) COMPASS

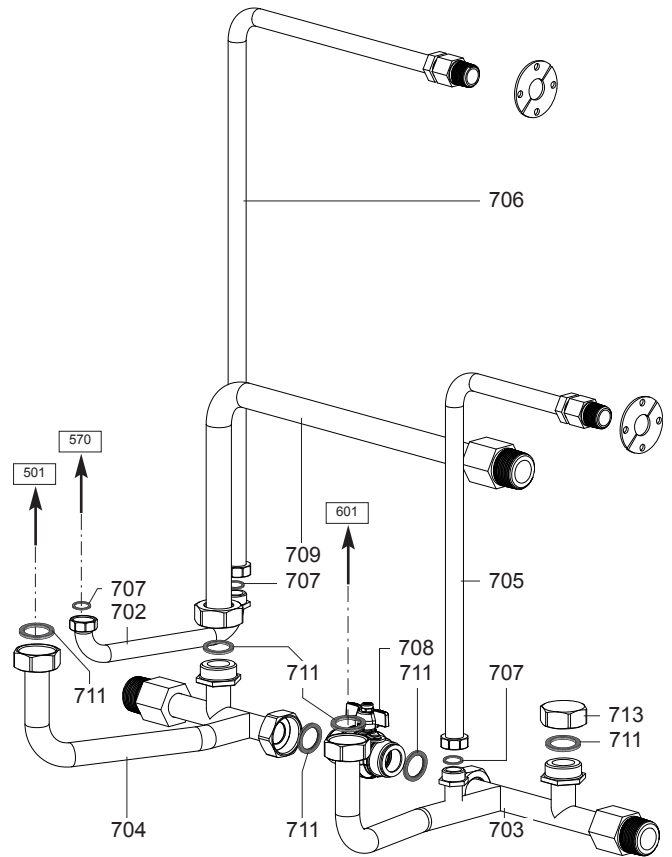
Gas-wall condensing boilers

NC085-NC110-NC150-NC199

LEFT

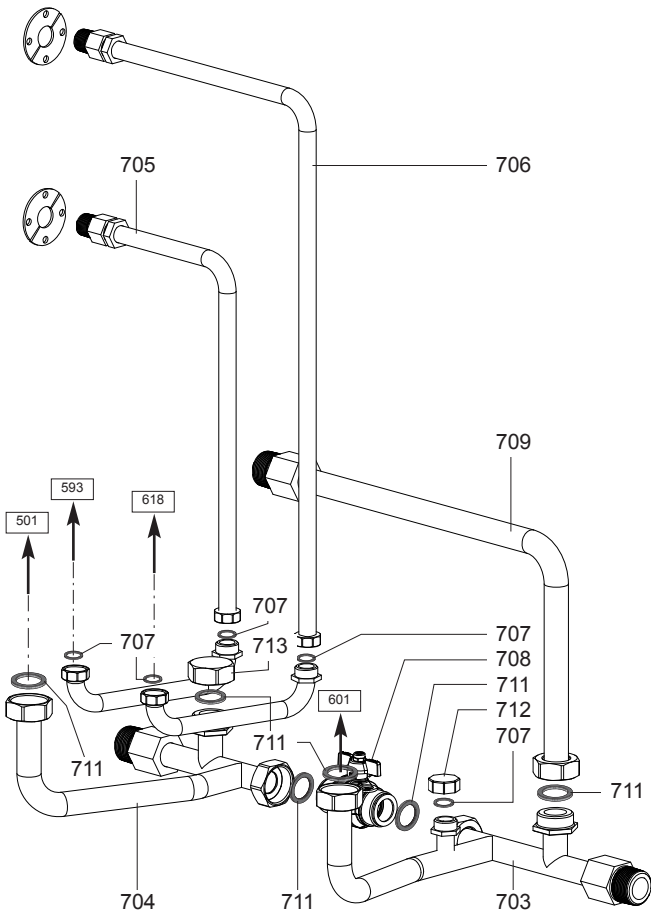


RIGHT

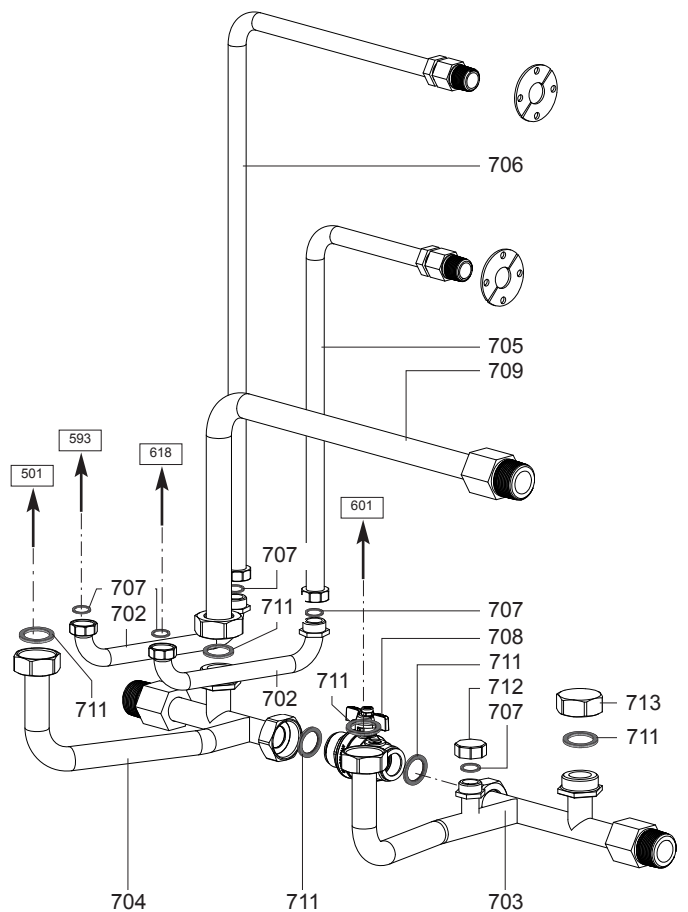



NC110C-NC150C-NC199C

LEFT



RIGHT

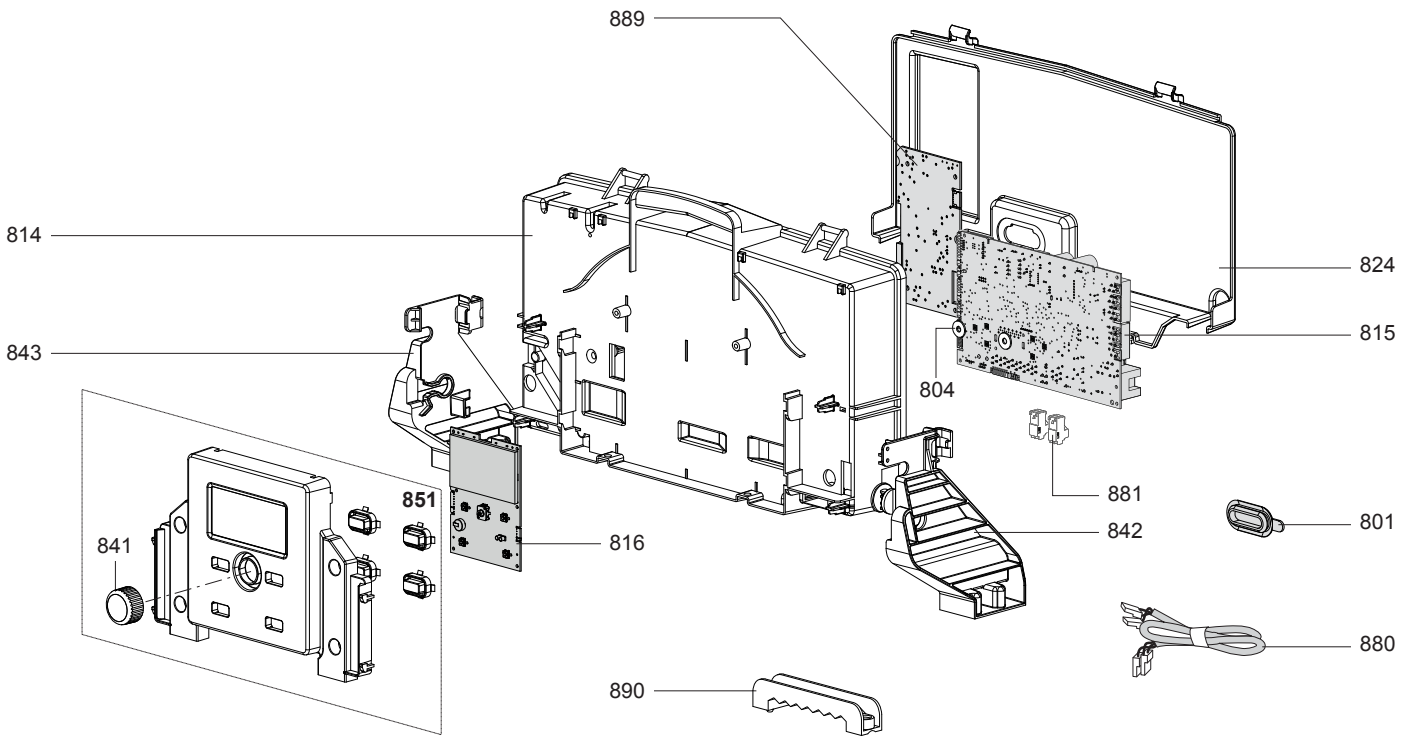
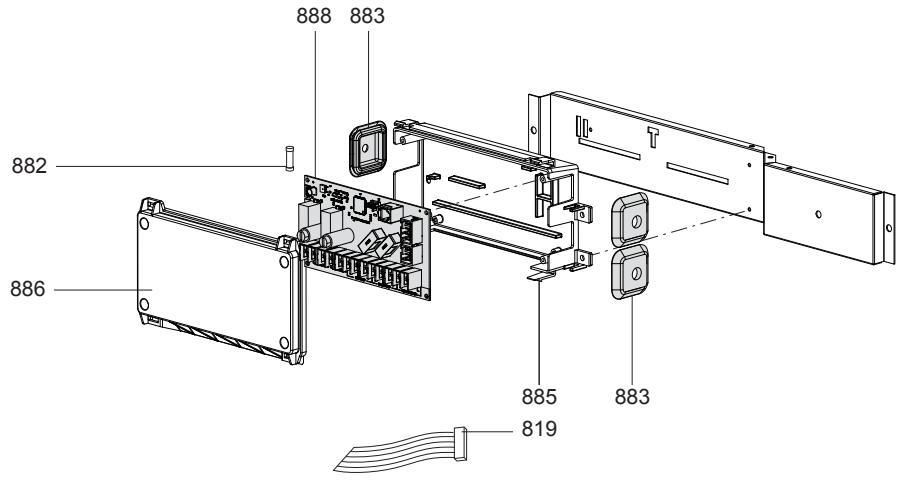


☉	Description	Manf. Pt. N	Type	NC085 COMPASS NC110 COMPASS NC110(C) COMPASS NC180 COMPASS NC150(C) COMPASS NC199 COMPASS NC199(C) COMPASS																		 31	
				1	2	3	4	5	6	7	8	9	10	11	12	13	14	15	16	17	18	From	to

0702	PIPE (BOTTOM SUPPLY/RETURN)	6500707100		●	●	●	●	●	●														
0703	PIPE (LL HEADER-RETURN PIPE)	6500707200		●	●	●	●	●	●														
0704	PIPE LL-HEADER SUPPLY PIPE	6500707300		●	●	●	●	●	●														
0705	PIPE (DHW SIDE SUPPLY-RETURN SHORT)	6500707500		●	●	●	●	●	●														
0706	PIPE (DHW SIDE SUPPLY/RETURN)	6500707600		●	●	●	●	●	●														
0707	GASKET 3/4 INCH (AFM34/2 REINZ)	573520		●	●			●	●														
0708	ISOLATION VALVE, 1 1/4" M BSSP	64980719		●	●	●	●	●	●														
0709	PIPE (CH SUPPLY RETURN)	6500709500		●	●	●	●	●	●														
0710	WATER/GAS GASKET 1 INCH	569387		●	●	●	●	●	●														
0711	GASKET 1-1/4 IN (REINZ AFM 34/2)	6500709600		●	●	●	●	●	●														
0712	CAP, BRASS 3-4 STRAIGHT	6000087105		●	●			●	●														
0713	CAP (BRASS 1.25 BSSP)	6500708000		●	●	●	●	●	●														

NC085-199(C) COMPASS

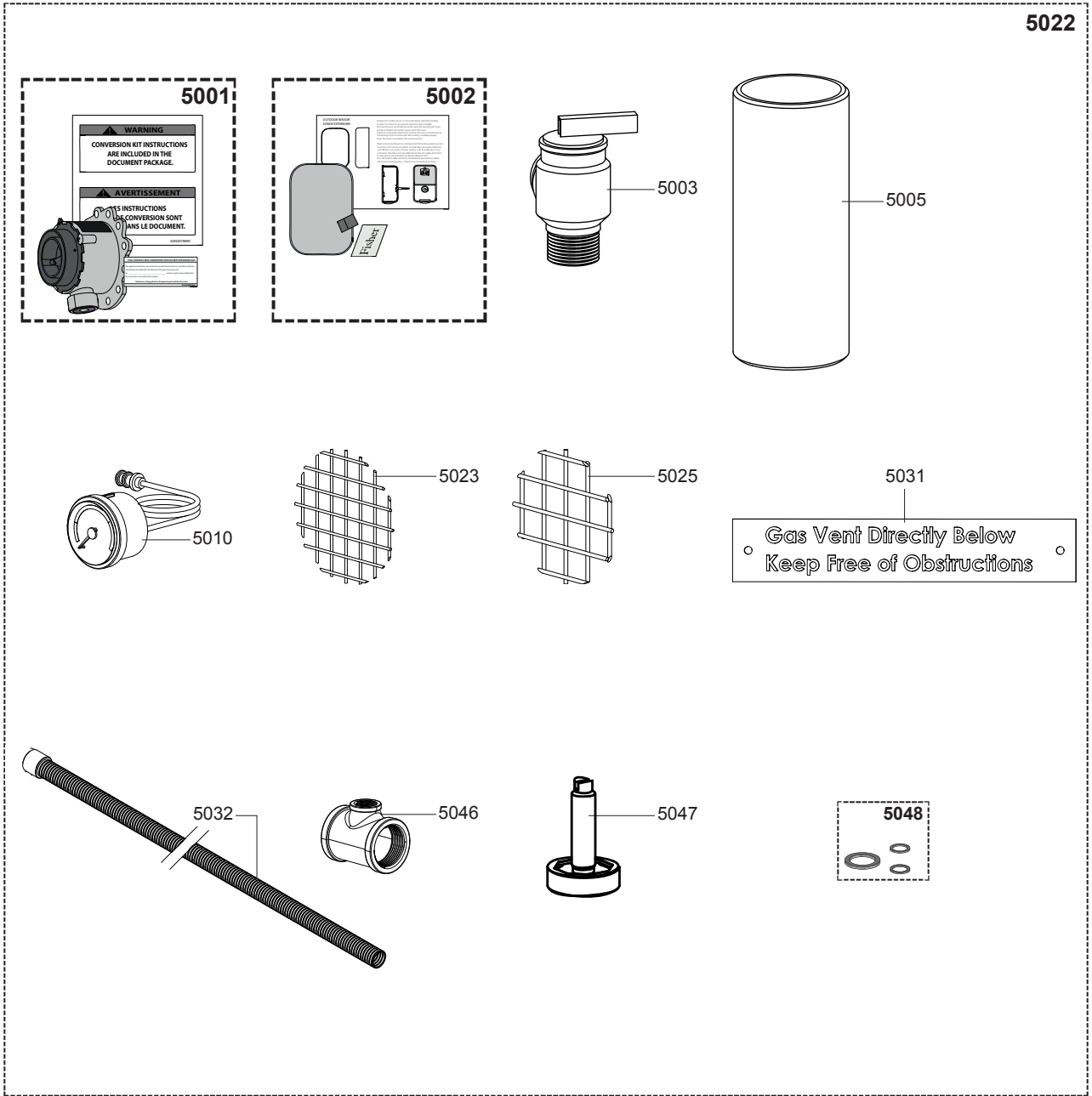
Gas-wall condensing boilers




☉⇒	Description	Manf. Pt. N	Type	<div style="display: flex; justify-content: space-between; align-items: center;"> <div style="transform: rotate(-45deg); font-size: small;"> NC085 COMPASS NC110 COMPASS NC110(C) COMPASS NC180 COMPASS NC150(C) COMPASS NC199 COMPASS NC199(C) COMPASS </div> <div style="border: 1px solid black; padding: 2px;">31</div> </div>																		From	to
				1	2	3	4	5	6	7	8	9	10	11	12	13	14	15	16	17	18		
0800	ELECTRICAL BOX																						
0801	GROMMET(PCD TOOL ACCESS)	998382		•	•	•	•	•	•	•	•												
0804	CARD FIXING WASHER	65112054		•	•	•	•	•	•	•	•												
0814	CONTROL PANEL BASE	64980075		•	•	•	•	•	•	•	•												
0815	P.C.B. (MAIN)	6500604600		•	•	•	•	•	•	•	•												
0816	P.C.B. (DISPLAY)	6500604400		•	•	•	•	•	•	•	•												
0819	WIRING (WIFI)	6500670000		•	•	•	•	•	•	•	•												
0824	CONTROL PANEL COVER	64980402		•	•	•	•	•	•	•	•												
0841	DIAL	6500604500		•	•	•	•	•	•	•	•												
0842	CONTROL PANEL HINGE (R.H.Side)	64980234		•	•	•	•	•	•	•	•												
0843	CONTROL PANEL HINGE (L.H.Side)	64980235		•	•	•	•	•	•	•	•												
0851	CONTROL PANEL	6500679900		•	•	•	•	•	•	•	•												
0880	3-WAY VALVE CABLE	6500666100		•	•	•	•	•	•	•	•												
	3-WAY VALVE CABLE	6500670100					•			•		•											
	BLOWER POWER PIGTAIL (NRG118 TO NRG 128)	64980249									•	•											
	CABLE (BOILER POWER SUPPLY)	64980248		•	•	•	•	•	•	•	•												
	CABLE (DETECTION ELECTRODE)	64980097		•	•	•	•	•	•	•	•												
	CABLE (FAN-POWER SUPPLY)	6500670200		•	•	•	•	•	•	•	•												
	CABLE (JUNCTION BOX POWER SUPPLY)	6500669900		•	•	•	•	•	•	•	•												
	CABLE (PUMP 5M PWM TACO)	65118695		•	•	•	•	•	•	•	•												
	CABLE (PWM)	6500680100		•	•	•	•	•	•	•	•												
	CABLE (SPARK GENERATOR)	64980080		•	•	•	•	•	•	•	•												
	DISPLAY WIRING - 5 WIRES BLACK L=1000	6500719800		•	•	•	•	•	•	•	•												
	GAS VALVE CABLE	64980109		•	•	•	•	•	•	•	•												
	WIRING (FLUE SENS.-APS-DEL./RETURN NTC)	6500689400		•	•	•	•	•	•	•	•												
	WIRING (PUMP)	6500669800		•	•	•	•	•	•	•	•												
0881	CONNECTOR 2P	65111933		•	•	•	•	•	•	•	•												
0882	FUSE 5X20 RIT. 5 A 250V	65119782		•	•	•	•	•	•	•	•												
0883	GROMMET	6500604900		•	•	•	•	•	•	•	•												
0885	JUNCTION BOX BASE	6500605900		•	•	•	•	•	•	•	•												
0886	JUNCTION BOX COVER	6500605800		•	•	•	•	•	•	•	•												
0888	P.C.B. (JUNCTION BOX)	6500605700		•	•	•	•	•	•	•	•												
0889	P.C.B. (WIFI-REM4)	65120352-02		•	•	•	•	•	•	•	•												
0890	CABLE CLAMP	65103377		•	•	•	•	•	•	•	•												

NC085-199(C) COMPASS

Gas-wall condensing boilers



		EN		DE		NL		
		FR		ES		IT		
0101	6500645000	IGNITION ELECTRODE ELECTRODE ALLUMAGE		ZUNDELEKTRODE ELECTRODO DE ENCENDIDO		ELECTRODE ONTSTEKING ELETTRODO D'ACCENSIONE		25
0105	64980174	NTC FLUE SENSOR 4X45 1/4 10K3 SS CAPTEUR NTC 4X45 1/4 10K3 SS		NTC SENSOR 4X45 1/4 10K3 SS NTC SENSOR 4X45 1/4 10K3 SS		NTC SENSOR 4X45 1/4 10K3 SS SENSORE NTC 4X45 1/4 10K3 SS		1
0110	64980168	INSULATION (BURNER DOOR DISC-VC30) PANNEAU ISOLEMENT VC30		ISOLIERUNGSPANEEL VC30 PANEL AISLANTE VC30		PANNEAU ISOLEMENT VC30 PANNELLO ISOLANTE VC30		1
	64980169	INSULATION (BURNER DOOR DISC-VC45) PANNEAU ISOLEMENT VC45		ISOLIERUNGSPANEEL VC45 PANEL AISLANTE VC45		PANNEAU ISOLEMENT VC45 PANNELLO ISOLANTE VC45		1
0111	64980170	INSULATION (BURNER DOOR DISC-VC60) PANNEAU ISOLEMENT VC60		ISOLIERUNGSPANEEL VC60 PANEL AISLANTE VC60		PANNEAU ISOLEMENT VC60 PANNELLO ISOLANTE VC60		1
	64980160	HEAT EXCHANGER VC30 AIC ECHANGEUR VC30 AIC		AUSTAUSCHER VC30 AIC INTERCAMBIADOR VC30 AIC		WARMTEWISSELAAR VC30 AIC SCAMBIATORE VC30 AIC		1
	64980161	HEAT EXCHANGER VC45 AIC ECHANGEUR VC45 AIC		AUSTAUSCHER VC45 AIC INTERCAMBIADOR VC45 AIC		WARMTEWISSELAAR VC45 AIC SCAMBIATORE VC45 AIC		1
0114	64980162	HEAT EXCHANGER VC60 AIC ECHANGEUR VC60, AIC		AUSTAUSCHER VC60 AIC INTERCAMBIADOR VC60 AIC		WARMTEWISSELAAR VC60, AIC SCAMBIATORE VC60 AIC		1
	64980158	BURNER VC30 BRULEUR VC30		BRENNER VC30 QUEMADOR VC30		BRANDER VC30 BRUCIATORE VC30		1
	64980159	BURNER VC45/VC60 BRULEUR VC45/VC60		BRENNER VC45/VC60 QUEMADOR VC45/VC60		BRANDER VC45/VC60 BRUCIATORE VC45/VC60		1
0116	64980461	BURNER TOP PLATE PLAQUE SUPÉRIEURE DU BRÛLEUR		BRENNERDECKPLATTE PLACA SUPERIOR DEL QUEMADOR		BOVENPLAAT BRANDER PIASTRA BRUCIATORE		1
	64980462	BURNER TOP PLATE PLAQUE SUPÉRIEURE DU BRÛLEUR		BRENNERDECKPLATTE PLACA SUPERIOR DEL QUEMADOR		BOVENPLAAT BRANDER PIASTRA BRUCIATORE		1
	64980463	BURNER TOP PLATE PLAQUE SUPÉRIEURE DU BRÛLEUR		BRENNERDECKPLATTE PLACA SUPERIOR DEL QUEMADOR		BOVENPLAAT BRANDER PIASTRA BRUCIATORE		1
0117	64980219	CONDENSATE TRAP SIPHON		SIPHON SIFON ANTICONDENSACION		SIFON SIFONE SCARICO CONDENSA		1
0124	990686-01	TEMPERATURE PROBE + CLIP SONDE NTC + CLIPS KIT		NTC-SONDE MIT CLIPS KIT SONDA NTC + CLIPS KIT		VOELER NTC + KLEM KIT SONDA NTC + CLIPS KIT		1
0151	64980178	CONDENSATE DRAIN PIPE TUYAU D'ÉVACUAT.DES CONDENSATS		KONDENSATABLAUFROHR TUBO DE DRENAJE DE CONDENSAD.		CONDENSATFOERLEIDUNG TUBO SCARICO CONDENSA		1
0152	64980263	COUPLING Y HOSE CONNECTOR COUPLAGE ET CONNECT.DE TUYAU		KUPPLUNG DES SCHLAUCHANSCHLUSS. CONECTOR DE ACOPLAM.Y MANGUERA		KOPPELING VAN DE SLANGCONNECTOR CONNETTORE TUBI Y		1
0160	6000086929	CONDENSATE DISH ONLY VC45 CONDENSATE DISH ONLY VC45		CONDENSATE DISH ONLY VC45 CONDENSATE DISH ONLY VC45		CONDENSATE DISH ONLY VC45 CONDENSATE DISH ONLY VC45		0
	6000086930	CONDENSATE DISH ONLY VC60 CONDENSATE DISH ONLY VC60		CONDENSATE DISH ONLY VC60 CONDENSATE DISH ONLY VC60		CONDENSATE DISH ONLY VC60 CONDENSATE DISH ONLY VC60		1
	64980675	CONDENSATE DISH ONLY VC30 CONDENSATE DISH ONLY VC30		CONDENSATE DISH ONLY VC30 CONDENSATE DISH ONLY VC30		CONDENSATE DISH ONLY VC30 CONDENSATE DISH ONLY VC30		1
0161	6000086932	GASKET (CONDENSATE DISH) JOINT RECUPERATEUR DE CONDENS.		DICHTUNG (KONDENSWASSER) JUNTA RECOGE-CONDENSACION		DICHTING (CONDENSAATOPVANG) GUARNIZ.VASCA RACC.CONDENSA		1
	6000086933	GASKET (CONDENSATE DISH) JOINT RECUPERAT.DE CONDENSATS		DICHTUNG (KONDENSWASSER) JUNTA RECOGE-CONDENSACION		DICHTING (CONDENSAATOPVANG) GUARNIZ.VASCA RACC.CONDENSA		0
0163	64980677	GASKET (CONDENSATE DISH) GASKET (CONDENSATE DISH)		GASKET (CONDENSATE DISH) GASKET (CONDENSATE DISH)		GASKET (CONDENSATE DISH) GUARIZ.VASCA RACC.CONDENSA		1
	64980243	CLAMP SERRER		KLEMME ABRAZADERA		KLEM MORSETTO		1
0168	60000533	HOSE CLAMP COLLIER SUR SOUPLE		KRAGEN AUF FLEXIBEL COLLAR EN FLEXIBLE		KRAAG OP FLEXIBEL COLLARE SU FLESSIBILE		1
0169	64980242	NUT, SERRATED FLANGE M3 ECROU, BRIDE SERREE M3		MUTTER, SERRIERTER FLANSCH M3 TUERCA, BRIDA SERRADA M3		MOER, GESLAGEN FLENS M3 DADO FLANGIATO M3		5
0170	64980246	NUT, SERRATED FLANGE M6 ECROU, BRIDE SERREE M6		MUTTER, SERRIERTER FLANSCH M6 TUERCA, BRIDA SERRADA M6		MOER, GESLAGEN FLENS M6 DADO FLANGIATO M6		5
0171	64980166	GASKET (BURNER-VC30) JOINT BRULEUR VC30		DICHTUNG (BRENNER VC30) JUNTA QUEMADOR VC30		DICHTING (BRANDER VC30) GUARNIZIONE BRUCIATORE VC30		1
	64980167	GASKET (BURNER-VC45/VC60) JOINT BRULEUR VC45/VC60		FORMDICHTUNG (BRENNER VC45/VC60) JUNTA QUEMADOR VC45/VC60		DICHTING (BRANDER VC45/VC60) GUARNIZIONE BRUCIATORE VC45/VC60		1
0172	64980223	GASKET (ELECTRODE) JOINT ELECTRODE		DICHTUNG ELEKTRODE JUNTA ELECTRODO		PAKKING ELECTRODE GUARNIZIONE ELETTRODO		1
0177	64980150	AIR VENT PURGEUR D'AIR		LUFTBLASSVENTIL PURGADOR DE AIRE		ONTLUCHTINGSKLEP VALVOLA SFIATO ARIA		1
0178	64980701	GASKET, 1" Fibre AFM34/2 REINZ JOINT 1" AFM34/2		DICHTUNG 1 Z, AFM34/2 JUNTA 1" AFM34/2		AFDICHTING 1", AFM34/2 GUARNIZIONE ACQUA-GAS 1" AFM34/2		10
0180	65119323	SPARK GENERATOR TRANSFORMATEUR D'ALLUMAGE		ZUNDTRAFO ENCENDEDOR		ONTSTEKINGSTRANSFORMATOR ACCENDITORE		1
0182	64980244	CONNECTOR TUBING 3/8 in x 1/4 in, barbed TUBE DE CONNECTEUR 3/8 in x 1/4 in		ANSCHLUSSROHR 3/8 in x 1/4 in CONECTOR TUBERÍA 3/8 in x 1/4 in		CONNECTORBUIS 3/8 in x 1/4 in CONNETTORE TUBI 3/8 in x 1/4 in		1
0183	64980173	FLUE PIPE (POLYPROPYLENE) TUBE EN PLASTIQUE		ABGASROHR TUBO DE HUMOS CENTROTERM		FLUE PIPE (POLYPROPYLENE) TUBO SCARICO FUMI (POLIPROPIL.)		1
0185	64980222	SIGHT GLASS (COMPLETE) SIGHT GLASS (COMPLETE)		SIGHT GLASS (COMPLETE) SIGHT GLASS (COMPLETE)		SIGHT GLASS (COMPLETE) VETRO SPIA (COMPLETO)		1

☞	XXXXXXXX	EN	DE	NL	X
		FR	ES	IT	
0186	64980171	CABLE (IGNITION ELECTRODE) CÂBLE D'ÉLECTRODE D'ALLUMAGE	ZÜNDUNGSELEKTRODENKABEL CABLE DE ELECTR.DE ENCENDIDO	ONTSTEKINGSSELECTRODE KABEL CAVO ELETTRODO ACCENSIONE	1
0187	65118678	AIR PRESSURE SWITCH PRESSOSTAT AIR	LUFTWACHTER PRESOSTATO AIR	DRUKSCHAKELAAR LUCHT PRESSOSTATO ARIA	1
0188	64980241	NUT, SERRATED FLANGE M5-08 ECROU, BRIDE SERREE M5-08	MUTTER, SERRIERTER FLANSCH M5-08 TUERCA, BRIDA SERRADA M5-08	MOER, GESLAGEN FLENS M5-08 DADO FLANGIATO M5-08	5
0191	64980154	PIPE (MANIFOLD) TUYAU (COLLECTEUR)	ROHR (VERTEILER) TUBO (COLECTOR)	PIJP (SPRUITSTUK) TUBO COLLETTORE	0
0192	64980687	PLUG (THERMAL SWITCH HOLE) BOUCHON (TROUGH INTERRUPT.THERM.)	STOPFEN (LOCH FÜR THERMOSCHALTER) PLUG (THERMAL SWITCH HOLE)	STOP (THERMISCHE SCHAKELAAR GAT) TAPPO FORO INTER.TERMICO	1
0193	64980674	GASKET (CONDENSATE TRAP) JOINT (SIPHON DE CONDENSATS)	DICHTUNG (KONDENSATFALL) JUNTA (TRAMPA DE CONDENSADOS)	PAKKING (CONDENSATFOER) GUARNIZIONE SIFONE	1
0199	64980507	GASKET, THERMAL SWITCH TO TOP PLATE JOINT D'INTERRUPTEUR THERMIQUE	DICHTUNG, THERMISCHER SCHALTER JUNTA, INTERRUPTOR TÉRMICO	PAKKING, THERMISCHE SCHAKELAAR GUARNIZIONE, INTER.TERMICO (PIASTRA BR.)	1
0201	65118645	GAS VALVE, HONEYWELL KV4205 VALVE GAZ	GASVENTIL VALVULA GAS	GASBLOK VALVOLA GAS	1
0202	64980119	VENTILATOR VENTILATEUR	LAUFRAD HELICE VENTILADOR	VENTILATOR VENTILATORE	2
	64980120	VENTILATOR VENTILATEUR	LAUFRAD HELICE VENTILADOR	VENTILATOR VENTILATORE	2
0210	60001923	GAS DIAPHRAGM D: 6.40 (LP) DIAPHRAGME GAZ D: 6.40	PLATTENVENTIL GAS D: 6.40 DIAFRAGMA GAS D: 6.40	DIAFRAGMA GAS D: 6.40 DIAFRAMMA GAS D: 6.40	1
	60001924	GAS DIAPHRAGM D: 6.90 DIAPHRAGME GAZ D: 6.90	PLATTENVENTIL GAS D: 6.90 DIAFRAGMA GAS D: 6.90	DIAFRAGMA GAS D: 6.90 DIAFRAMMA GAS D: 6.90	1
	65118713	GAS DIAPHRAGM D: 8.5 (NG) DIAPHRAGME GAZ D: 8,5	PLATTENVENTIL GAS D: 8,5 DIAFRAGMA GAS D: 8,5	DIAFRAGMA GAS D: 8,5 DIAFRAMMA GAS D: 8,5	1
0211	64980100	MIXER 085-110 LP FT MIXER 085-110-110C LP FT	MIXER 085-110-110C LP FT MIXER 085-110-110C LP FT	MIXER 085-110-110C LP FT MIXER 085-110-110C GLP FT	1
	64980102	MIXER 150-150C LP FT MIXER 150-150C LP FT	MIXER 150-150C LP FT MIXER 150-150C LP FT	MIXER 150-150C LP FT MIXER 150-150C GLP FT	1
	64980104	MIXER 199-199C LP FT MIXER 199-199C LP FT	MIXER 199-199C LP FT MIXER 199-199C LP FT	MIXER 199-199C LP FT MIXER 199-199C GPL FT	1
	64980124	MIXER, 085-110-110C NG FT MIXER, 085-110-110C NG FT	MIXER, 085-110-110C NG FT MIXER, 085-110-110C NG FT	MIXER, 085-110-110C NG FT MIXER, 085-110-110C NG FT	1
	64980125	MIXER, 150-150C NG FT MIXER, 150-150C NG FT	MIXER, 150-150C NG FT MIXER, 150-150C NG FT	MIXER, 150-150C NG FT MIXER, 150-150C NG FT	1
	64980126	MIXER, 199-199C NG FT MIXER, 199-199C NG FT	MIXER, 199-199C NG FT MIXER, 199-199C NG FT	MIXER, 199-199C NG FT MIXER, 199-199C NG FT	1
0213	64980127	SILENCER SILENCIEUX	SCHALLDÄMPFER SILENCIADOR	GELUIDDEMPER SILENZIATORE	1
0214	64980664	PIPE (GAS VALVE-MIXER) stainless TUYAU (VANNE DE GAZ-VENTURI) inox	ROHR (GASVENTIL-VENTURI) Edelstahl TUBO (VÁLVULA DE GAS-MIXER) inox	PIJP (GASKLEP-VENTURI) roestvrije staal TUBO GAS VALV.GAS-MIXER acciaio	1
	64980680	PIPE (GAS VALVE-MIXER) stainless TUYAU (VANNE DE GAZ-VENTURI) inox	ROHR (GASVENTIL-VENTURI) Edelstahl TUBO (VÁLVULA DE GAS-MIXER) inox	PIJP (GASKLEP-VENTURI) roestvrije staal TUBO GAS VALV.GAS-MIXER acciaio	1
	6500711500	PIPE (GAS OUTLET) PIPE (GAS OUTLET)	PIPE (GAS OUTLET) PIPE (GAS OUTLET)	PIPE (GAS OUTLET) TUBO USCITA GAS	1
0225	6000086776	ADAPTER, BRASS, M3-4NPTXM3-4G ADAPTER, BRASS, M3-4NPTXM3-4G	ADAPTER, BRASS, M3-4NPTXM3-4G ADAPTER, BRASS, M3-4NPTXM3-4G	ADAPTER, BRASS, M3-4NPTXM3-4G ADAPTER, BRASS, M3-4NPTXM3-4G	0
0227	64980217	GASKET (GAS ADAPTER) JOINT (ADAPTATEUR GAZ)	DICHTUNG (GASADAPTER) JUNTA (ADAPTADOR DE GAS)	DICHTING (GASADAPTER) GUARNIZIONE ADATTATORE GAS	0
0250	64980442	PIPE (GAS INLET) stainless TUYAU (ENTRÉE GAZ) acier inox.	ROHR (GASEINGANG) Edelstahl TUBO (ENTRADA DE GAS) acero inox.	PIJP (GASINLAAT) roestvrije staal TUBO INGRESSO GAS acciaio	1
0271	64980678	GASKET (BLOWER) JOINT VENTILATEUR	DICHTUNG, GEBLASE JUNTA VENTILADOR	DICHTING VENTILATOR GUARNIZIONE VENTILATORE	1
	64980699	GASKET (VENTILATOR) JOINT VENTILATEUR	DICHTUNG, GEBLASE JUNTA VENTILADOR	DICHTING VENTILATOR GUARNIZIONE VENTILATORE	1
0272	60001878	O-RING 165 NBR 70 Sh 61.91x3,53 JOINT TORIQUE 165 NBR 70 Sh 61.9	O-RING 165 NBR 70 Sh 61.91x3,53 O-RING 165 NBR 70 Sh 61.91x3,53	O-RING 165 NBR 70 Sh 61.91x3,53 O-RING 165 NBR 70 Sh 61.91x3,53	1
0273	6500706500	PIPE (GAS) PIPE (GAS)	PIPE (GAS) PIPE (GAS)	PIPE (GAS) TUBO GAS	1
0282	64980284	GASKET 3/4" th. 3 NBR TEFLON-YELLOW JOINT EAU-GAZ 3/4 in ép.3 NBR	DICHTUNG 3/4 in Dicke 3 NBR TEFLON JUNTA 3/4 in esp. 3 NBR	AFDICHTING 3/4 in dikte 3 NBR GUARNIZIONE 3/4 in NBR sp.3 GIAL.	1
0284	6000086861	SILENCER SPACER ESPACEUR DE SILENCIEUX	SCHALLDÄMPFER-ABSTANDSSTÜCK ESPACIADOR SILENCIADOR	GELUIDDEMPER SPACER DISTANZIALE SILENZIATORE	0
0312	64980209	FLUE TEST PORT PLUG BOUCHON DE PRISE FUMEE	STOPFEN ABGAS-U. ZULUFTMESS.KUNST. TAPON TOMA HUMOS	STOP ROOKGASMEETNIPPELS TAPPO ANALISI FUMI + O-RING	1
0315	6500706800	PANEL (L.H. SIDE) PANEL (L.H. SIDE)	PANEL (L.H. SIDE) PANEL (L.H. SIDE)	PANEL (L.H. SIDE) PANNELLO LATERALE SINISTRO	1
	6500706900	PANEL (L.H. SIDE) PANEL (L.H. SIDE)	PANEL (L.H. SIDE) PANEL (L.H. SIDE)	PANEL (L.H. SIDE) PANNELLO LATERALE SINISTRO	1
0317	6500707000	PANEL (FRONT) PANEL (FRONT)	PANEL (FRONT) PANEL (FRONT)	PANEL (FRONT) MANTELLO FRONTALE	1

		EN		DE		NL		
		FR		ES		IT		
0318	6500706600	PANEL (R.H. SIDE) PANEL (R.H. SIDE)		PANEL (R.H. SIDE) PANEL (R.H. SIDE)		PANEL (R.H. SIDE) PANNELLO LATERALE DESTRO		1
	6500706700	PANEL (R.H. SIDE) PANEL (R.H. SIDE)		PANEL (R.H. SIDE) PANEL (R.H. SIDE)		PANEL (R.H. SIDE) PANNELLO LATERALE DESTRO		1
0340	64980206	ADAPTOR (AIR INLET) ADAPTATEUR D'ENTRÉE D'AIR		ADAPTER, LUFT EINGANG ADAPTADOR DE ENTRADA DE AIRE		LUCHTINLAAT ADAPTER ADATTATORE INGRESSO ARIA		1
0341	64980237	SEAL GASKET OUTLET 80 JOINT DE SORTIE 80		DICHTUNGSAusGANG 80 JUNTA DE SALIDA 80		PAKKING UITLAAT 80 GUARNIZIONE D80 USCITA FUMI		1
0342	64980207	GASKET D90 EPDM SH.A PEROX JOINT D90 EPDM SH.A PEROX		DICHTUNG D90 EPDM SH.A PEROX JUNTA D90 EPDM SH.A PEROX		DICHTING D90 EPDM SH.A PEROX GUARNIZIONE D90 EPDM SH.A PEROX		1
0343	64980208	FOAM FLUE GAS ADAPTOR MOUSSE ADAPTAT.DE GAZ DE FUMÉE		DICHTUNG ABGASBOGEN ESPUMA DE ADAPT.DE GASES DE GOMA		SCHUIMKANAALADAPTER GUARNIZIONE COLLETTORE FUMI		1
0344	64980233	TRAY CONDENS PLATEAU CONDENS		TABLETT KONDENSAT BANDEJA CONDENS		LADE CONDENS VASSOIO CONDENZA		1
0345	64980210	ADAPTOR (FLUE OUTLET) ADAPTATEUR, SORTIE DE FUMÉE		ADAPTER, RAUCH AUSGANG ADAPTADOR, SALIDA DE HUMO		ADAPTER, ROOKUITGANG ADATTATORE USCITA FUMI		1
0346	64980236	O-RING SEAL 2,7X8,9 EPDM PEROX 70 Sh. JOINT TORIQUE 2,7X8,9 EPDM 70 Sh.		NDDICHTRING 2,7X8,9 EPDM 70 Sh. JUNTA TORICA 2,7X8,9 EPDM 70 Sh.		DICHTINGSRING 2,7X8,9 EPDM 70 Sh. ANELLO OR 2,7X8,9 EPDM 70 Sh.		1
0347	64980238	DOOR LATCH FERMETURE DU PANNEAU		PANELSCHLISSUNG CIERRE DEL PANEL		PANEEL SLUITING CHIUSURA MANTELLO		0
0349	6500605300	BEZEL PLASTRON		EINSATZ PLASTRON		PLAAT MOSTRINA		1
0379	64980674	GASKET (CONDENSATE TRAP) JOINT (SIPHON DE CONDENSATS)		DICHTUNG (KONDENSATFALL) JUNTA (TRAMPA DE CONDENSADOS)		PAKKING (CONDENSATVOER) GUARNIZIONE SIFONE		1
0380	6000084072	LEG, LEVELER ASSMBLD, 3-8-16 X 1.5 LEG, LEVELER ASSMBLD, 3-8-16 X 1.5		LEG, LEVELER ASSMBLD, 3-8-16 X 1.5 LEG, LEVELER ASSMBLD, 3-8-16 X 1.5		LEG, LEVELER ASSMBLD, 3-8-16 X 1.5 LEG, LEVELER ASSMBLD, 3-8-16 X 1.5		0
0501	64980859	GROUP (3 WAY VALVE-SYSTEM) GROUPE VALVE 3 VOIES-SYSTEM		GRUPPE (3-WEGE-VENTIL-SYSTEM) GRUPO VÁLVULA 3 VÍAS SYSTEM		GROEP (3 MANIEREN KLEP-SYSTEM) GRUPPO VALVOLA 3 VIE		5
	64980860	GROUP (3 WAY VALVE) GROUPE DE VANNES À 3 VOIES		GRUPPE (3-WEGE-VENTIL) GRUPO DE VÁLVULAS DE 3 VÍAS		GROEP (3-WEGS KLEP) GRUPPO VALVOLA 3 VIE		1
0505	64980862	MOTOR (3-WAY VALVE) MOTOR (3-WAY VALVE)		MOTOR (3-WAY VALVE) MOTOR (3-WAY VALVE)		MOTOR (3-WAY VALVE) MOTOR (3-WAY VALVE) steel shaft Moors		1
0507	64980203	SANITARY HEAT EXCHANGER (27 P.) ECHANGEUR SANITAIRE 27 PLAQUES		PLATTENWAERMETAUSCHER INTERCAMBIADOR SANITARIO 27		WARMTEWISSELAAR SANITAIR 27 PLATEN SCAMBIATORE SANITARIO 27 PIASTRE		1
0508	65121175	SENSOR (NTC) SENSOR (NTC)		SENSOR (NTC) SENSOR (NTC)		SENSOR (NTC) SONDA NTC		1
0510	64980861	3-WAY VALVE (MOTOR+CARTDR.) 3-WAY VALVE (MOTOR+CARTDR.)		3-WAY VALVE (MOTOR+CARTDR.) 3-WAY VALVE (MOTOR+CARTDR.)		3-WAY VALVE (MOTOR+CARTDR.) 3-WAY VALVE (MOTOR+CARTDR.)		1
0511	65104339	CLIP D:12 CLIP D:12		SICHERHEITSSPLINT D20 CLIP D:12		KLEM D:12 CLIP D:12		1
0551	64980156	PIPE (C.H. OUTLET) TUBE DEPART CHAUFFAGE		VORLAUFROHR TUBO ENVÍO		BUIS VERTREK VERWARMING TUBO MANDATA		0
0555	64980186	CLIP (BY-PASS PIPE-SYSTEM) CLIP (TUYAU BY-PASS)		CLIP (BY-PASS-ROHR) CLIP TUBO BY-PASS		CLIP (BY-PASS BUIS) CLIP TUBO BY-PASS		1
0556	64980202	O-RING 13.95 X 2.62 JOINT TORIQUE D: 13.95 X 2.62		NDDICHTRING D: 13.95 X 2.62 JUNTA TORICA D: 13.95 X 2.62		DICHTINGSRING D: 13.95 X 2.62 ANELLO OR 13.95 X 2.62		1
0558	64980187	BY-PASS PIPE TUBE BY-PASS		BYPASS-ROHR TUBO BY-PASS		BUIS BY-PASS TUBO BY-PASS		0
	64980197	BY-PASS PIPE TUBE BY-PASS		BYPASS-ROHR TUBO BY-PASS		BUIS BY-PASS TUBO BY-PASS		1
0562	64980701	GASKET, 1" Fibre AFM34/2 REINZ JOINT 1" AFM34/2		DICHTUNG 1 Z. AFM34/2 JUNTA 1" AFM34/2		AFDICHTING 1", AFM34/2 GUARNIZIONE ACQUA-GAS 1" AFM34/2		10
0568	65114928	EXCHANGER GASKET JOINT ECHANGEUR		DICHTUNG WAERMETAUSCHER JUNTA INTERCAMBIADOR		DICHTING WISSELAAR GUARNIZIONE SCAMBIATORE		5
0570	64980188	CONNECTION M 3/4 NPT - M 3/4 G RACCORD M 3/4 NPT - M 3/4 G		ANSCHLUSS M 3/4 NPT - M 3/4 G. CONEXIÓN M 3/4 NPT - M 3/4 G		AANSLUITING M 3/4 NPT - M 3/4 G RACCORDO M 3/4 NPT - M 3/4 G		1
0585	573520	GASKET 3/4 INCH (AFM34/2 REINZ) JOINT 3/4 PO. AFM34/2 REINZ		DICHTUNG 3/4 ZOLL AFM34/2 REINZ JUNTA 3/4 PUL. AFM34/2 REINZ		AFDICHTING 3/4 INCH AFM34/2 REINZ GUARNIZ.ACQUA-GAS 3/4 PO. AFM34/2		10
0591	64980250	GASKET (HYDROBLOCK) JOINT HYDROBLOC		DICHTUNG (HYDROBLOCK) JUNTA (HIDROBLOQUE)		DICHTING (HYDROBLOCK) GUARNIZIONE GRUPPO IDRAULICO		0
0592	64980189	PIPE (CH OUTLET) TUBE DEPART CHAUFFAGE		VORLAUFROHR TUBO ENVÍO		BUIS VERTREK VERWARMING TUBO MANDATA		0
0593	64980194	GROUP (DHW OUTLET) HAUSWASSERAUSGANGSGRUPPE		HAUSWASSERAUSGANGSGRUPPE GRUPO SALIDA DE AGUA CAL.SANIT.		GROEP (SHW OUTLET) GRUPPO USCITA ACQUA SANITARIA		1
0601	64980221	GROUP (PUMP-COMBI) GROUPE POMPE		PUMPENGRUPPE GRUPO DE BOMBA		GROEP (POMP) GRUPPO POMPA		1
	6500682300	GROUP (PUMP) GROUPE POMPE		PUMPENGRUPPE GRUPO DE BOMBA		GROEP (POMP) GRUPPO POMPA		1
0602	65115793	PRESSURE SWITCH (PROPORTIONAL) DETECTEUR PROPORTIONNEL		DRUCKWAECHTER-MINIMAL PRESOSTATO PROPORCIONAL		WATERDRUKSENSOR PRESSOSTATO PROPORZIONALE		1
0604	64980191	PUMP ES2 3VK 63-7C-C US POMPE ES2 3VK 63-7C-C US		PUMPE ES2 3VK 63-7C-C US BOMBA ES2 3VK 63-7C-C US		POMP ES2 3VK 63-7C-C US V POMPA ES2 3VK 63-7C-C US		1

☰	XXXXXXXX	EN	DE	NL	X
		FR	ES	IT	
0607	64980195	FLOW METER CARTOUCHE DEBITMETRE KIT	UMSCHALTER HEIZUNG / SANITAR KIT OBTURADOR CALEFAC./SANIT.	DEBIETMETER FLOW SWITCH SANITAIR FLUSSOSTATO SANITARIO	1
0611	64980196	DHW FLOW RESTRICTORS (KIT) LIMITEURS DE DEBIT KIT	TUELLESET REDUCTOR (KIT)	DEBIETBEGRENZER (KIT) IMITATORI DI PORTATA (KIT)	1
0616	64980266	DHW FILTER FILTRE À EAU	WASSERFILTER FILTRO DE AGUA	WATER FILTER FILTRO ACQUA	1
0618	64980220	GROUP (COLD WATER INLET) GROUPE D'ENTRÉE D'EAU FROIDE	GRUPPE (KALTWASSER EINLASS) GRUPO DE ENTRADA DE AGUA FRÍA	INLAATGROEP KOUD WATER GRUPPO ENTRATA ACQUA FREDDA	1
0622	64980204	BY-PASS BY-PASS	BY-PASS BY-PASS	BY-PASS BY-PASS	1
0651	64980155	PIPE (C.H. RETURN) TUBE RETOUR CHAUFFAGE	RUCKLAUFROHR TUBO RETORNO INSTALACION	BUIS RETOUR VERWARMING TUBO RITORNO	0
0664	65104322	CLIP CLIP	KLAMMER PUMPE CLIP	KLEM CLIP	1
0670	990686-01	TEMPERATURE PROBE + CLIP SONDE NTC + CLIPS KIT	NTC-SONDE MIT CLIPS KIT SONDA NTC + CLIPS KIT	VOELER NTC + KLEM KIT SONDA NTC + CLIPS KIT	1
0672	64980200	CLIP (FLOW METER) CLIP INTERRUPTEUR DE DÉBIT	CLIP (DURCHFLOSSSCHALTER) CLIP INTERRUPTOR DE FLUJO	CLIP (STROOMSCHAKELAAR) CLIP FLUSSIMETRO	1
0682	64980701	GASKET, 1" Fibre AFM34/2 REINZ JOINT 1" AFM34/2	DICHTUNG 1 Z, AFM34/2 JUNTA 1" AFM34/2	AFDICHTING 1", AFM34/2 GUARNIZIONE ACQUA-GAS 1" AFM34/2	10
0695	573520	GASKET 3/4 INCH (AFM34/2 REINZ) JOINT 3/4 PO. AFM34/2 REINZ	DICHTUNG 3/4 ZOLL AFM34/2 REINZ JUNTA 3/4 PUL. AFM34/2 REINZ	AFDICHTING 3/4 INCH AFM34/2 REINZ GUARNIZIONE ACQUA-GAS 3/4 PO. AFM34/2 RE	10
0696	64980250	GASKET (HYDROBLOCK) JOINT HYDROBLOC	DICHTUNG (HYDROBLOCK) JUNTA (HIDROBLOQUE)	DICHTING (HYDROBLOCK) GUARNIZIONE GRUPPO IDRAULICO	0
0697	65114928	EXCHANGER GASKET JOINT ECHANGEUR	DICHTUNG WAERMETAUSCHER JUNTA INTERCAMBIADOR	DICHTING WISSELAAR GUARNIZIONE SCAMBIATORE	5
0698	64980202	O-RING 13.95 X 2.62 JOINT TORIQUE D: 13.95 X 2.62	NDICHTUNG D: 13.95 X 2.62 JUNTA TORICA D: 13.95 X 2.62	DICHTINGSRING D: 13.95 X 2.62 ANELLO OR 13.95 X 2.62	1
0702	6500707100	PIPE (BOTTOM SUPPLY/RETURN) PIPE (BOTTOM SUPPLY/RETURN)	PIPE (BOTTOM SUPPLY/RETURN) PIPE (BOTTOM SUPPLY/RETURN)	PIPE (BOTTOM SUPPLY/RETURN) TUBO MANDATA/RITORNO INFERIORE	1
0703	6500707200	PIPE (LL HEADER-RETURN PIPE) PIPE (LL HEADER-RETURN PIPE)	PIPE (LL HEADER-RETURN PIPE) PIPE (LL HEADER-RETURN PIPE)	PIPE (LL HEADER-RETURN PIPE) TUBO (HEADER - TUBO RITORNO)	1
0704	6500707300	PIPE LL-HEADER SUPPLY PIPE PIPE LL-HEADER SUPPLY PIPE	PIPE LL-HEADER SUPPLY PIPE PIPE LL-HEADER SUPPLY PIPE	PIPE LL-HEADER SUPPLY PIPE TUBO (HEADER - TUBO RITORNO)	1
0705	6500707500	PIPE (DHW SIDE SUPPLY-RETURN SHORT) PIPE (DHW SIDE SUPPLY-RET.SHORT)	PIPE (DHW SIDE SUPPLY-RETURN SHORT) PIPE (DHW SIDE SUPPLY-RET.SHORT)	PIPE (DHW SIDE SUPPLY-RETURN SHORT) TUBO ENTRATA ACQUA SANIT.-RITOR. CORTO	1
0706	6500707600	PIPE (DHW SIDE SUPPLY/RETURN) PIPE (DHW SIDE SUPPLY/RETURN)	PIPE (DHW SIDE SUPPLY/RETURN) PIPE (DHW SIDE SUPPLY/RETURN)	PIPE (DHW SIDE SUPPLY/RETURN) TUBO MANDATA/RITOR.ACQUA SANIT.	1
0707	573520	GASKET 3/4 INCH (AFM34/2 REINZ) JOINT 3/4 PO. AFM34/2 REINZ	DICHTUNG 3/4 ZOLL AFM34/2 REINZ JUNTA 3/4 PUL. AFM34/2 REINZ	AFDICHTING 3/4 INCH AFM34/2 REINZ GUARNIZ.ACQUA-GAS 3/4 PO. AFM34/2	10
0708	64980719	ISOLATION VALVE, 1 1/4" M BSPP VANNE D'ISOLEMENT 1 1/4" M BSPP	ISOLATION VENTIL, 1 1/4 Z M BSPP VÁLVULA DE AISLAM.1 1/4" M BSPP	ISOLATIEKLEP, 1 1/4" M BSPP RUBINETTO DI ISOLAM.1 1/4" M BSPP	1
0709	6500709500	PIPE (CH SUPPLY RETURN) PIPE (CH SUPPLY RETURN)	PIPE (CH SUPPLY RETURN) PIPE (CH SUPPLY RETURN)	PIPE (CH SUPPLY RETURN) TUBO MANDATA/RITOR.RISCALDAM.	1
0710	569387	WATER/GAS GASKET 1 INCH JOINT EAU-GAZ 1 POUCE	WASSER-GAS-DICHTUNG 1 ZOLL SELLO AGUA-GAS 1 PUL.	AFDICHTING WATER/GAS 1 INCH GUARNIZIONE ACQUA-GAS 1 PO.	10
0711	6500709600	GASKET 1-1/4 IN (REINZ AFM 34/2) GASKET 1-1/4 IN (REINZ AFM 34/2)	GASKET 1-1/4 IN (REINZ AFM 34/2) GASKET 1-1/4 IN (REINZ AFM 34/2)	GASKET 1-1/4 IN (REINZ AFM 34/2) GUARNIZ.1-1/4 IN (REINZ AFM 34/2)	1
0712	6000087105	CAP, BRASS 3-4 STRAIGHT CAP, BRASS 3-4 STRAIGHT	CAP, BRASS 3-4 STRAIGHT CAP, BRASS 3-4 STRAIGHT	CAP, BRASS 3-4 STRAIGHT CAP, BRASS 3-4 STRAIGHT	0
0713	6500708000	CAP (BRASS 1.25 BSSP) CAP (BRASS 1.25 BSSP)	CAP (BRASS 1.25 BSSP) CAP (BRASS 1.25 BSSP)	CAP (BRASS 1.25 BSSP) TAPPO OTTONE 1,25 BSSP	1
0801	998382	GROMMET(PCD TOOL ACCESS) JOINT ENTREE REGULATION	GUMMIABDECKUNG POTENTIOMETER JUNTA	DICHTING GOMMINO ACCESSO REGOLAZIONE	5
0804	65112054	CARD FIXING WASHER RONDELLE FIXATION CARTE	SCHIEBE ARANDELA DE FIJAC.DE TARJETAS	KAARTBEVESTIGINGSWASMACHINE RONDELLA FISSAGGIO SCHEDA	1
0814	64980075	CONTROL PANEL BASE PORTE INSTRUMENTS	INSTRUMENTENHALTER FRONTAL	BEHUIZING BEDIENINGSPANEEL PORTASTRUMENTI	1
0815	6500604600	P.C.B. (MAIN) CIRCUIT IMPRIME PRINCIPAL	ELEKTROHAUPTPLATINE CIRCUITO PRINCIPAL	PRINTKAART SCHEDA PRINCIPALE	1
0816	6500604400	P.C.B. (DISPLAY) CIRCUIT IMPRIME D'AFFICHAGE	DISPLAYPLATINE CIRCUITO DISPLAY	PRINT DISPLAY SCHEDA DISPLAY	1
0819	6500670000	WIRING (WIFI) CÂBLAGE (WIFI)	VERKABELUNG (WIFI) CABLEADO (WIFI)	BEDRADING (WIFI) CABLAGGIO WIFI	1
0824	64980402	CONTROL PANEL COVER COUVER.ARRIERE TABLEAU COMM.	RUCKWARTIGER DECKEL, FRONTBLENDE TAPA POSTER.PANEL DE MANDOS	HOUDER STUURPRINT COPERCHIO BOX	1
0841	6500604500	DIAL BOUTON DU SELECTEUR	DREHKNOPF MANDO	KNOP MANOPOLA	1
0842	64980234	CONTROL PANEL HINGE (R.H.Side) SUPPORT (droit)	TRAGER SOPORTE	SUPPORT SUPPORTO DX	1
0843	64980235	CONTROL PANEL HINGE (L.H.Side) SUPPORT (gauche)	TRAGER SOPORTE	SUPPORT SUPPORTO SX	1

		EN	DE	NL	X
		FR	ES	IT	
0851	6500679900	CONTROL PANEL TABLEAU DE COMMANDE	FRONTBLLENDE FRONTAL	BEDIENINGSPANEEL FRONTALINO	1
0880	64980080	CABLE (SPARK GENERATOR) CÂBLE (GÉNÉRATEUR D'ÉTINCELLES)	KABEL (ZUNDTRAFO) CABLE (GENERADOR DE CHISPA)	KABEL (VONKENGEGENERATOR) CABLAGGIO ACCENDITORE	1
	64980097	CABLE (DETECTION ELECTRODE) CABLAGE ELECTRODE IONISATION	IONISATIONS KABEL CABLE ELECTRODO DE DETECCION	CABLE (DETECTION ELECTRODE) CAVO ELETTRODO RILEVAZIONE	1
	64980109	GAS VALVE CABLE CABLAGE VANNE GAZ	KABEL ZUNDER CABLEADO VALVULA GAS	BEDRADING GASBLOK CABLAGGIO VALVOLA GAS	1
	64980248	CABLE (BOILER POWER SUPPLY) CABLE (ALIMENT.DE LA CHAUDIERE)	KABEL (KESSEL-STROMVERSORGUNG) CABLE DE ALIMENT.DE LA CALDERA	KABEL (STROOMVOORZIENING) CAVO ALIMENTAZIONE CALDAIA	1
	64980249	BLOWER POWER PIGTAIL (nrg118 to nrg 128) ADAPTAT.DE CABLE DE VENTIL.(118->128)	KABEL (ventilator-stromversorgung) CABLE DE ALIMENT.DE VENTILADOR	VENTILATOR KABEL ADAPT.(nrg118->nrg128) CAVO ADATTATORE VENTILATORE	1
	6500666100	3-WAY VALVE CABLE CABLAGE VANNE 3 VOIES	KABEL 3-WEGEVENTIL CABLEADO VALVULA DE TRES VIAS	BEDRADING DRIEWEG KLEP CABLAGGIO VALVOLA A 3 VIE	1
	6500669800	WIRING (PUMP) CABLAGE (POMPE)	VERKABELUNG (PUMPE) CABLEADO (BOMBA)	BEDRADING (POMP) CABLAGGIO POMPA	1
	6500669900	CABLE (JUNCTION BOX POWER SUPPLY) CÂBLE (aliment.de la boîte de jonction)	KABEL (anschlusskasten-stromversorgung) CABLE DE ALIMENT.(caja de conexion.)	KABEL (aansluitkast voeding) CAVO ALIMENTAZIONE JUNCTION BOX	1
	6500670100	3-WAY VALVE CABLE CABLAGE VANNE 3 VOIES	KABEL 3-WEGEVENTIL CABLEADO VALVULA DE TRES VIAS	BEDRADING DRIEWEG KLEP CABLAGGIO VALVOLA A 3 VIE	1
	6500670200	CABLE (fan-power supply) CABLE (alimentation de ventilateur)	KABEL (ventilator-stromversorgung) CABLE DE ALIMENTAC.DE VENTILAD.	KABEL (fan-voeding) CAVO ALIMENTAZIONE VENTILATORE	1
	6500680100	CABLE (PWM) CABLAGE PWM	VERBINDUNG PWM CABLEADO PWM	KABEL PWM CABLAGGIO PWM	1
	6500689400	WIRING (flue sens.-aps-del./return ntc) CÂBLE (sonde fumées-pressost.air-sonde)	KABEL (rauchsonde-luftdrucksch.-sonden) CABLE (sonda humos-presost.aire-sondas)	KABEL (rooksonde-luchtdruckschak.-sondes) CAVO (sens.fumi-pess.to aria-sonde)	1
	6500719800	DISPLAY WIRING - 5 WIRES BLACK L=1000 CABLAGE AFFICH.-5 FILS NOIR L=1000	KABEL DISPLAY 5P L=1000 CABLE DISPLAY-5cables negro L=1000	BEDRADING DISPLAY L=1000 CAVO DISPLAY-5 CAVI NERI L=1000	1
	65118695	CABLE (PUMP 5M PWM TACO) CABLE POMPE 5M PWM TACO	VERKABELUNG PUMPE 5M PWM TACO CABLEADO BOMBA 5M PWM TACO	BEDRADING POMP 5M PWM TACO CAVO POMPA 5M PWM TACO	1
0881	65111933	CONNECTOR 2P CONNECTEUR 2 POLES	STECKER 2 POL. RAST 5 CONECTOR 2P	STEKKER 2-POLIG CONNETTORE 2 POLI	5
0882	65119782	FUSE 5X20 RIT. 5 A 250V FUSIBLE 5X20 RIT. 5 A 250V	SICHERUNG 5X20 RIT. 5 A 250V FUSIBLE 5X20 RIT. 5 A 250V	ZEKERING 5X20 RIT. 5 A 250V FUSIBILE 5X20 RIT. 5 A 250V	1
0883	6500604900	GROMMET CAPSULE ENTREE CABLES	KABELEINGANGSGUMMISCHIEBE GOMA ENTRADA CABLES	KABELDOORVOER RUBBER GOMMINO	0
0885	6500605900	JUNCTION BOX BASE COUVERCLE FIXE (BOITE DE JONCTION)	FESTE ABDECKUNG (JUNKTIONSKASTEN) CUBIERTA FIJA (CAJA DE JUNTOS)	VASTE COVER (VERBINDINGSBOX) FONDO JUNCTION BOX	1
0886	6500605800	JUNCTION BOX COVER COUVERCLE (BOITE DE JONCTION)	ABDECKUNG (JUNKTIONSKASTEN) CUBIERTA (CAJA DE JUNTOS)	DEKKING (JUNCTION BOX) COPERCHIO JUNCTION BOX	1
0888	6500605700	P.C.B. (JUNCTION BOX) CIRCUIT CLIP-IN 2 ZONES	LEITERPLATTE CLIP-IN 2 ZONES CIRCUITO ELECTR.CLIP-IN 2 ZONES	PRINTKAART (CLIP IN 2 ZONES) SCHEDE CLIP-IN 2 ZONE	1
0889	65120352-02	P.C.B. (WIFI-REM4) CIRCUIT IMPRIME REM 4	ELEKTROPLATINE (REM4) CIRCUITO REM4	PRINTKAART REM4 SCHEDE REM4	1
0890	65103377	CABLE CLAMP PASSE CABLE PRESSOSTAT	KABELKLEMME SUJETA-CABLE	KABELDOORVOER DRUKSCHAKELAAR PRESSACAVO	1
5001	6500690100	CONVERSION KIT (85->110 KW - LP) CONVERSION KIT (85->110 KW - LP)	CONVERSION KIT (85->110 KW - LP) CONVERSION KIT (85->110 KW - LP)	CONVERSION KIT (85->110 KW - LP) TRASFORMAZIONE GAS GPL 85->110KW	1
	6500690300	CONVERSION KIT (150 KW - LP) CONVERSION KIT (150 KW - LP)	CONVERSION KIT (150 KW - LP) CONVERSION KIT (150 KW - LP)	CONVERSION KIT (150 KW - LP) TRASFORMAZIONE GAS GPL 150KW	1
	6500690600	CONVERSION KIT (199 KW - LP) CONVERSION KIT (199 KW - LP)	CONVERSION KIT (199 KW - LP) CONVERSION KIT (199 KW - LP)	CONVERSION KIT (199 KW - LP) TRASFORMAZIONE GAS GPL 199KW	1
5002	64980218	OUTDOOR SENSOR SONDE EXTERIEURE FILAIRE	AUSSEN FUEHLER SONDA EXTERNA CON CABLES	BUITENVOELER SONDA ESTERNA CON CAVI	1
5003	65118683	PRESSURE RELIEF VALVE SOUPAPE DE SECURITE	SICHERHEITSVENTIL VALVULA DE SEGURIDAD	VEILIGHEIDSGROEP VALVOLA DI SICUREZZA	1
5005	64980094	CPVC PIPE 3 in, SYSTEM 636, 5 in LONG TUYAU 3 in, SYSTÈME 636, 5 in LONG	CPVC-ROHR 3 IN, SYSTEM 636, 5 in LANG TUBO DE 3 in, SIST.636, 5 in LAR	CPVC-BUIS 3 in, SYSTEEM 636, 5 in LANG TRONCHETTO CPVC 3 in L=5 in	0
5010	65118685	PRESSURE/TEMPERATURE GAUGE MANOMETRE / THERMOMETRE	THERMOHYDROMETER TERMOMANOMETRO	MANOMETER - THERMOMETER TERMIDROMETRO	1
5022	6500707700	INSTALLATION KIT INSTALLATION KIT	INSTALLATION KIT INSTALLATION KIT	INSTALLATION KIT KIT INSTALLAZIONE	1
	6500707800	INSTALLATION KIT INSTALLATION KIT	INSTALLATION KIT INSTALLATION KIT	INSTALLATION KIT KIT INSTALLAZIONE	1
	6500707900	INSTALLATION KIT INSTALLATION KIT	INSTALLATION KIT INSTALLATION KIT	INSTALLATION KIT KIT INSTALLAZIONE	1
5023	64980211	ROUND MESH.VENT SCREEN (2.25 in) MAILLE RONDE, ÉCRAN D'ÉVENT (2,25 in)	RUNDES MESH, ENTLÜFT.SBILDSCH.(2,25 in) MALLA REDON., PANTAL.DE VENT.(2,25 in)	RONDE MESH, VENT-SCHERM (2,25 in) PROTEZIONE SCARICO FUMI (2,25 in)	1
5025	64980212	ROUND MESH, VENT SCREEN (3.375 in) MAILLE RONDE, ÉCRAN D'ÉVENT (3,375 in)	RUNDES MESH, ENTLÜFT.SBILDSCH.(3,375 in) MALLA RED., PANTAL.DE VENT.(3,375 in)	RONDE MESH, VENT-SCHERM (3,375 in) PROTEZIONE SCARICO FUMI (3,375 in)	0
5031	64980098	GAS VENT DIRECTLY BELOW DECAL PLAQUE D'AVERTISS.POUR ÉVENT DE GAZ	WARNSCHILD FÜR GASENTLÜFTUNG PLACA DE ADVERT.PARA VENTILAC.	WAARSCHUWINGSPL.VOOR GASONTLUCHT. TARGHETTA AVVERTENZA GAS VENT	0

⊙ →	XXXXXXXX	EN FR		DE ES		NL IT		X
		5032	65117092	PLASTIC PIPE CONDENSATE DRAIN TUBE CONDENSÉ EN PLASTIQUE		ROHRKONDENSATION, KUNSTSTOFF TUBO DE PLÁSTICO CONDENSA		
5046	6500708100	TEE STRAIGHT 1.25IN X 0.5IN TEE STRAIGHT 1.25IN X 0.5IN		TEE STRAIGHT 1.25IN X 0.5IN TEE STRAIGHT 1.25IN X 0.5IN		TEE STRAIGHT 1.25IN X 0.5IN RACCORDO T 1,25INX0,5IN		1
5047	6000084072	LEG, LEVELER ASSMBLD, 3-8-16 X 1.5 LEG, LEVELER ASSMBLD, 3-8-16 X 1.5		LEG, LEVELER ASSMBLD, 3-8-16 X 1.5 LEG, LEVELER ASSMBLD, 3-8-16 X 1.5		LEG, LEVELER ASSMBLD, 3-8-16 X 1.5 LEG, LEVELER ASSMBLD, 3-8-16 X 1.5		0
5048	6500719300	KIT (GASKETS) KIT (GASKETS)		KIT (GASKETS) KIT (GASKETS)		KIT (GASKETS) KIT GUARNIZIONI		1

IDENTIFICATION PLATE

SERIAL NUMBER

16 Characters :

21
03
31
20
XX
153101

Fixed reference Sequential number
 Month of manufacture Year of manufacture
 Day of manufacture

21 Characters :

3675007
XX
07
070
0000315

Product reference Sequential number
 Year of manufacture Manufacturing day