



325 COMMERCE DRIVE  
 MT VERNON, OH 43050  
 800-253-8236

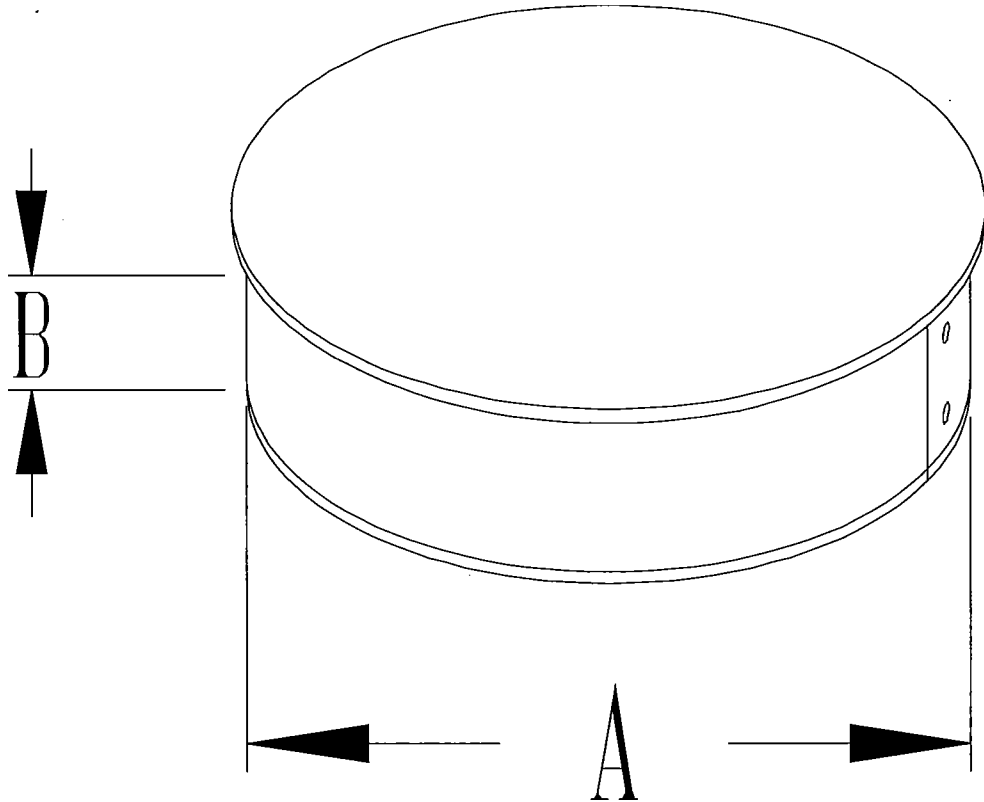
**SPECIFICATION DATA SHEET**

DATE: 1-3-12  
 PREPARED BY: RL

**MODEL NO. 022**  
**TEE COVER W/O CRIMP**  
 STANDARD MODEL

**DIMENSIONS**

SIZE	A	B	Body Gauge	Collar Gauge
3"	3"	2 1/4"	28	STD
4"	4"	2 1/4"	28	STD
5"	5"	2"-hem	28	STD
6"	6"	2"-hem	28	STD
7"	7"	2"-hem	28	STD
8"	8"	2"-hem	26	STD
9"	9"	2 1/4"	26	28
10"	10"	2 1/4"	26	28
12"	12"	2 1/4"	26	28
14"	14"	2 1/4"	26	28
16"	16"	2 1/4"	24	28
18"	18"	2 1/4"	24	26
20"	20"	2 1/4"	24	26
22"	22"	2 1/4"	24	26
24"	24"	2 1/4"	24	26



**MATERIAL SPECIFICATIONS**

HOT DIPPED GALVANIZED STEEL.  
 PER ASTM A 653 CSB.

ASSEMBLED WITH 1/8" ZINC COATED RIVETS.

**OPTIONS**

24 & 26 GAUGES AVAILABLE.

5", 6", 7", & 8" AVAILABLE IN 24 GAUGE BLACK

JOB: \_\_\_\_\_  
 LOCATION: \_\_\_\_\_  
 CONTRACTOR: \_\_\_\_\_  
 ENGINEER: \_\_\_\_\_  
 NOTES: \_\_\_\_\_