



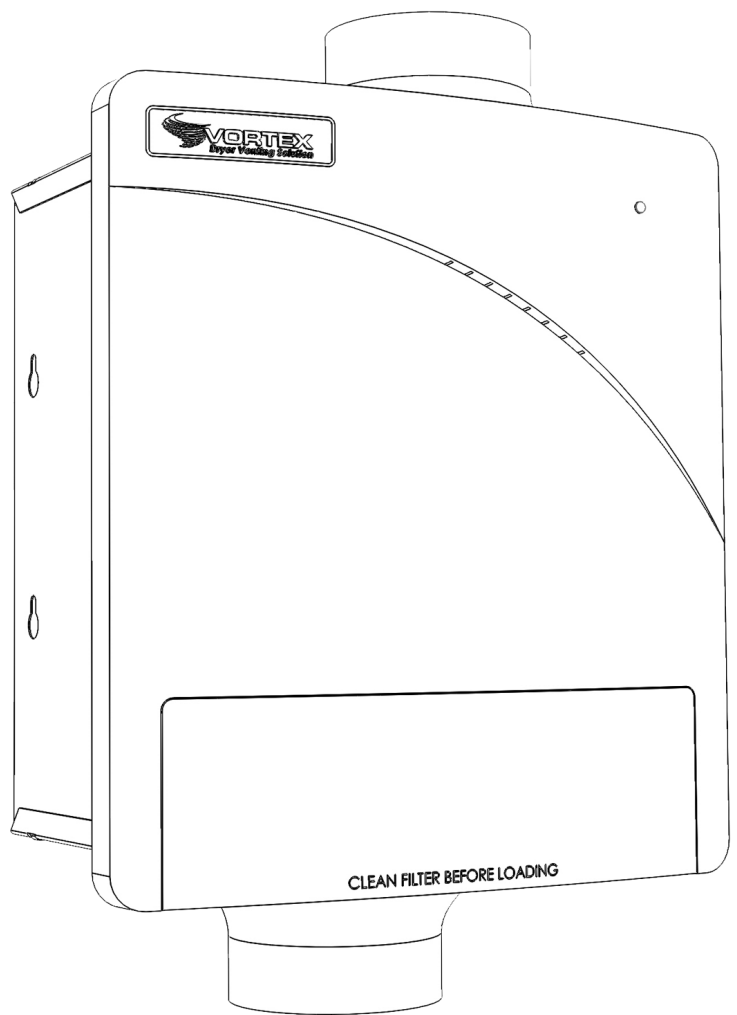
DBF-DEDPV

— INSTALLATION GUIDE

Dryer booster fan with integral control and integrated lint trap.

IMPORTANT SAFETY INSTRUCTIONS

SAVE THESE INSTRUCTIONS



READ AND SAVE THESE INSTRUCTIONS

WARNING — TO REDUCE THE RISK OF FIRE, ELECTRIC SHOCK OR INJURY TO PERSONS, OBSERVE THE FOLLOWING :

A - Your dryer installation incorporates a dryer exhaust power ventilator (DEDPV) incorporating a lint trap.

B - Your dryer depends on the DEDPV for its safe and efficient operation. Operating your dryer without a functional DEDPV will result in inefficient dryer operation, excess energy consumption and a possible fire hazard. See warning light on DEDPV front panel.

C - The DEDPV shall be permanently installed within the space in which the dryer is installed. In the case of a dryer installed in an alcove provided with a door, the DEDPV shall be installed within the alcove or be installed immediately adjacent to the doors of the alcove. The DEDPV shall be located where it will be readily visible after the dryer is installed without opening any doors other than those necessary to access the dryer.

WARNING — IF A CONTINUOUS ALARM SOUNDS OR A VISUAL ERROR INDICATOR IS PRESENT, DO NOT OPERATE THE CLOTHES DRYER. CONTACT YOUR SERVICE PERSONNEL

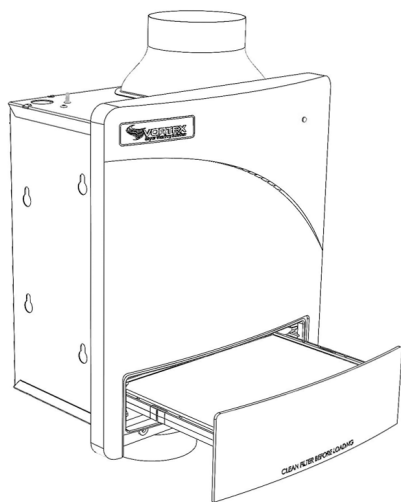
- Do not install in an exhaust ductwork of a clothes dryer whose instructions prohibit the installation of a clothes dryer booster fan (DEDPV).
- Do not install in an exhaust ductwork where the equivalent duct length is less than 25 ft (7.62 linear metres).
- The VTX-DEDPV is suitable to overcome an equivalent duct length of 130 feet (39.6 meters) of 4 inch diameter galvanized steel duct, and to maintain an air velocity of 1200 fpm (6.10 m/s).
- Do not exhaust air in excess of 167F (75C) and do not install less than linear 4ft (1.21m) from clothes dryer exhaust outlet.
- Do not install less than 4 linear feet (1.21 linear meters) or more than 45 linear feet (13.71 linear meters) from clothes dryer exhaust outlet.
- Insulated dryer duct shall not be used upstream of the ventilator.
- The ventilator must not be used in conjunction with high output dryers.
- For general ventilating use only. Do not use to exhaust hazardous or explosive materials and vapors.
- The installation must comply with local electrical and mechanical building codes, and must be inspected and accepted by local authorities having jurisdiction.

INSTALLATION GUIDELINES

TO PREVENT THE POSSIBILITY OF DRYER FAN CAVITATION AND/OR EXHAUSTING EXCESS HEAT REQUIRED FOR THE DRYING CYCLE AND COMPROMISING DRYING TIMES, BOOSTER FAN AIRFLOW MUST NOT EXCEED THE DRYER FAN CAPACITY.

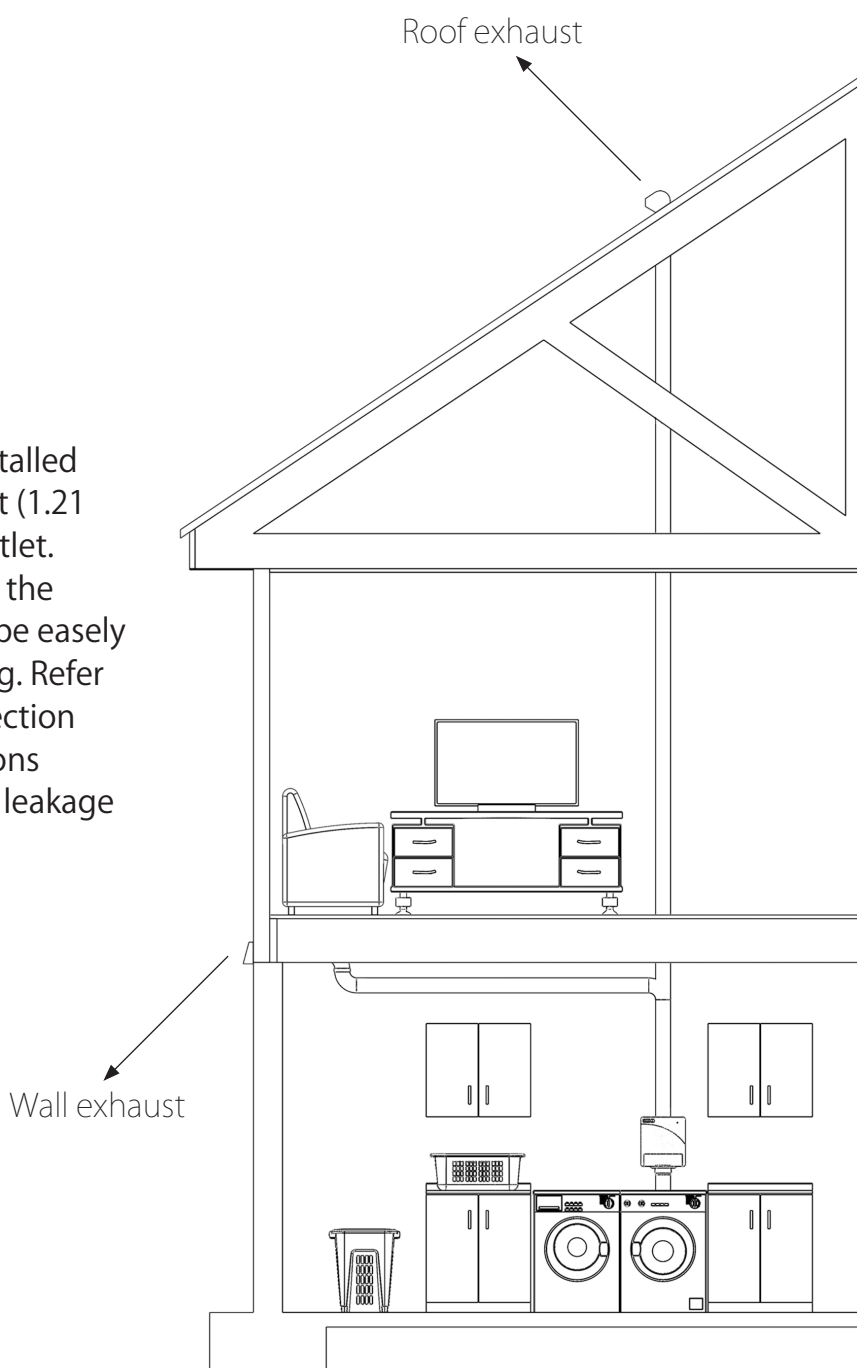
DBF-DEDPV

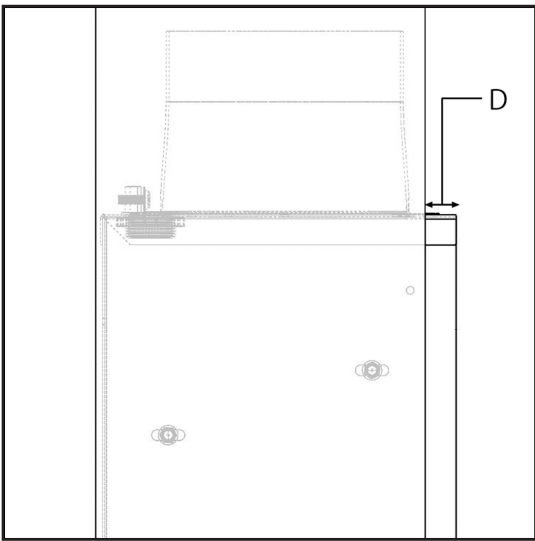
The DBF-DEDPV incorporate a booster fan, a lint trap and an integrated indicator panel.



Mounting — DBF-DEDPV

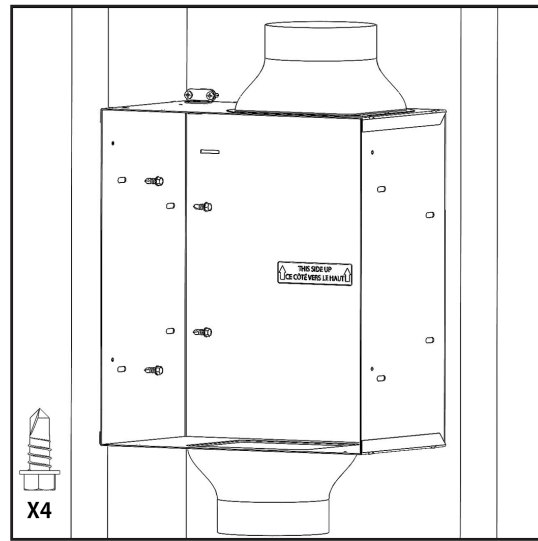
The DBF-DEDPV is designed to be installed at a minimum distance of 4 linear feet (1.21 meter) from clothes dryer exhaust outlet. The visual indicator shall be visible to the dryer operator and the lint trap shall be easily accessible to the operator for cleaning. Refer to maintenance instructions for inspection recommendations. All duct connections should be properly sealed to prevent leakage and loss of fan performance.





STEP 1 — Install the metal housing

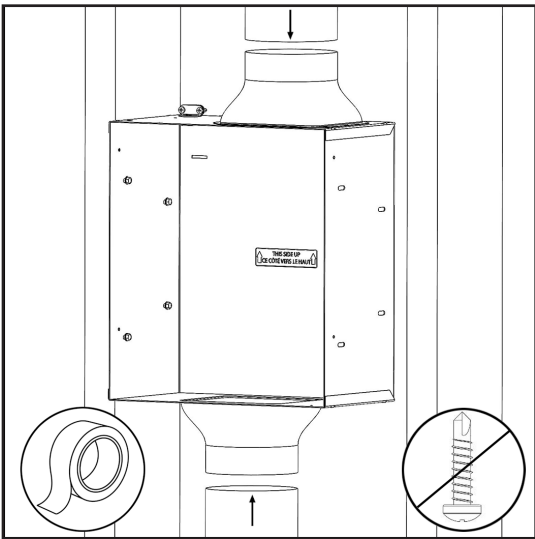
Spacing : Ensure to leave the appropriate spacing corresponding to the drywall tickness 1/2" or 5/8" between the face of the stud and the front of the box edge corresponding to distance "D" as shown above.



STEP 2 — Install the metal housing

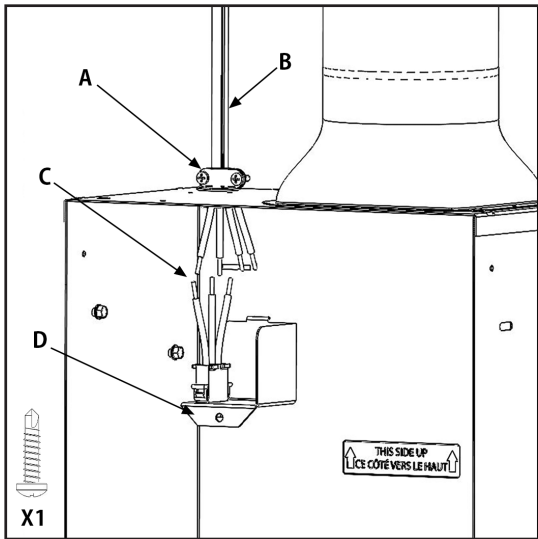
Mount housing directly to the stud using provided wood or metal screws. Ensure to use the oblong slot.

Orientation : Refer to the orientation sticker to install the housing in the proper orientation.



STEP 3 — Install Ductwork

Install 4" rigid galvanized duct on inlet and outlet. **Do not use** screw to attach the duct to the DBF-DEDPV duct adapter, use aluminum tape to seal the connections.



STEP 4 — Electrical connection

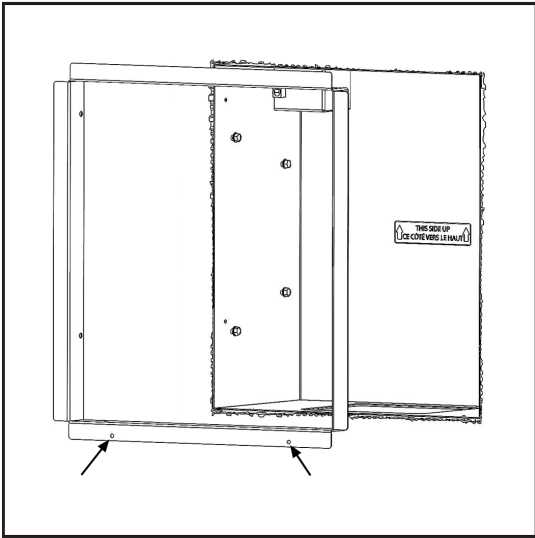
A - Install the electrical connector to the housing.

B - Bring a 2/14 AWG wire from a dedicated circuit.

C - Connect the junction box connector wires to the 115 V supplied wires and the housing ground wire.

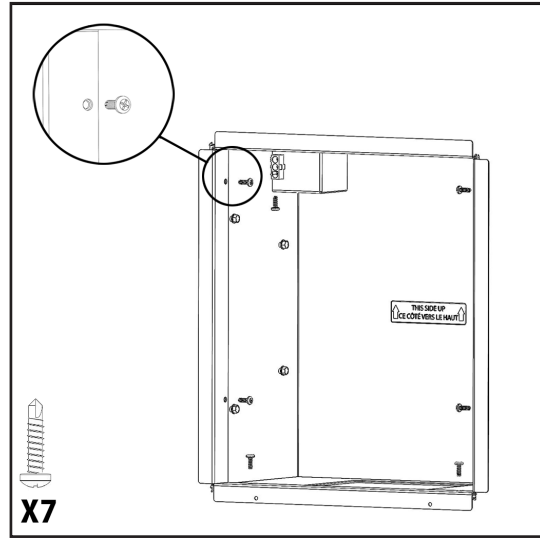
D - Close back the junction box with the supplied screw.

**MORE —
INSTALLATION INSTRUCTIONS**



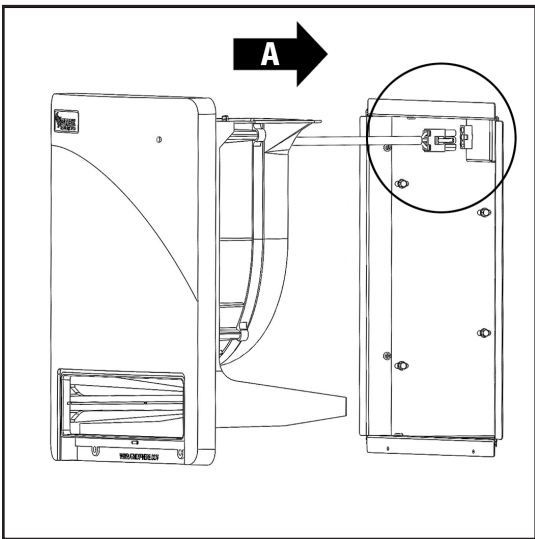
STEP 5 — Frame isolation

Once the drywall is installed, insert the frame inside the housing ensuring that it is in the proper orientation. The two-front holes should be face down as shown above.



STEP 6 — Frame fixation

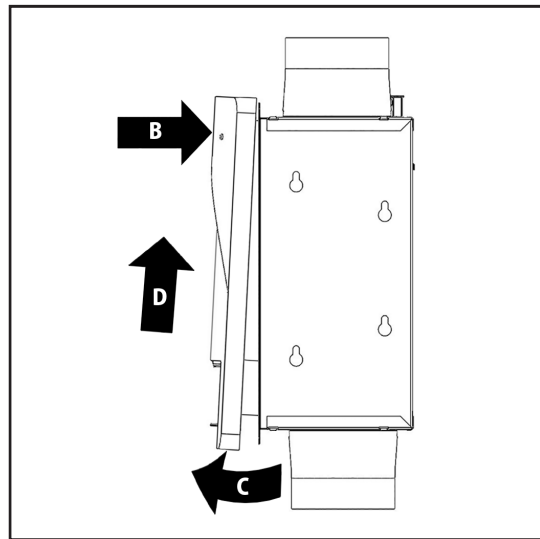
Before fixing the frame to the housing with the provided screws, ensure that the screw holes in the frame are aligned with screw holes in the housing. If the holes are not aligned, loosen the screw that holds the housing to the stud and adjust the depth of the housing until the holes are aligned.



STEP 7 — Fan connection

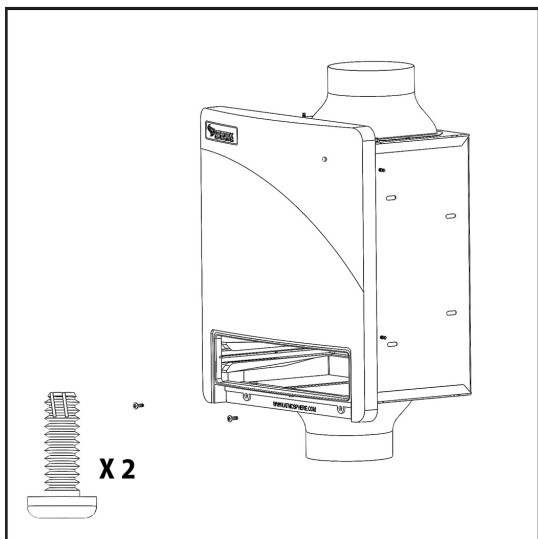
Before inserting the fan, connect the DBF-DEDPV male connector to the junction box female connector.

A - Insert the fan unit in the housing.



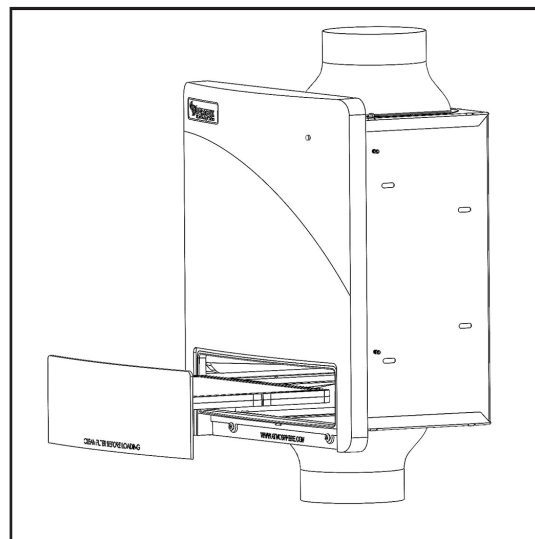
STEP 8 — Fan unit locking procedure

B - Push the top fan unit towards the housing.
C - Tilt the fan unit as shown on the above.
D - Slide the fan unit towards the top.



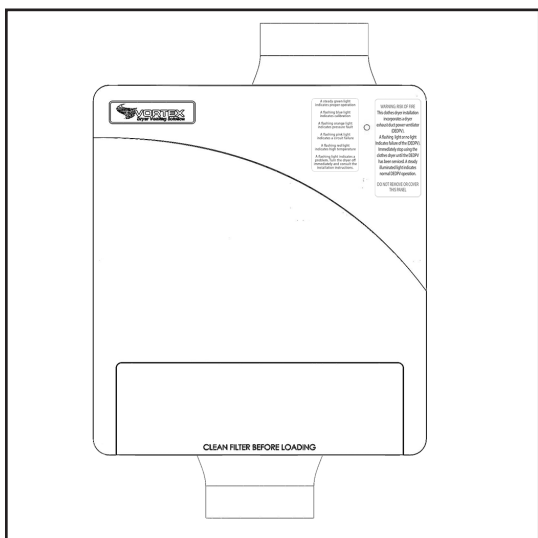
STEP 9 — Fix the fan unit

Once the holes of the fan unit are aligned with the holes of the housing, put and hand tighten the metal screws. Ensure to not overtighten to avoid stripping the holes of the housing.



STEP 10 — Lint tray insertion

Insert the lint tray in the fan unit.



STEP 11 — Warning notification

Apply the provided warning and operational stickers on the unit.

OPERATION

DBF-DEDPV Calibration procedure

IMPORTANT — ENSURE ALL OF THE FOLLOWING ARE PERFORMED BEFORE SUPPLYING POWER TO THE DBF-DEDPV.

- Confirm that the power of the clothes dryer is turned off.
- Confirm all lint traps are empty of lint and reinstalled in their proper position.
- Confirm the clothes dryer is empty of clothing.
- Confirm the door on the dryer is closed.
- From the electrical panel, turn on the power to the DBF-DEDPV.

NOTE — Within 10 seconds of the DBF-DEDPV being powered on, it will come on and run for up to 20 seconds. This calibration period will only happen when the DBF-DEDPV is powered for the first time. The blue indicator light will flash during calibration mode and after calibration mode, the motor and the light will shut off.

The DBF-DEDPV is now calibrated and the clothes dryer can be used.

NOTIFICATION PANEL STATUS MODE

CALIBRATION MODE (Flashing blue light)

PROPER VENTING MODE (Steady green indicator light)

When the DBF-DEDPV is on, the green indicator light will be continuously on.

PRESSURE FAULT MODE (Flashing orange indicator light)

If, at any time during the calibration or operating cycle of the DBF-DEDPV, a flashing orange indicator light appears, the DBF-DEDPV pressure sensor is detecting a rise of static pressure in the duct due to a blockage to the system. The DBF-DEDPV will continue to work but you must stop the clothes dryer immediately and have the vent system inspected by a qualified service provider. The power to the DBF-DEDPV will need to be turned off to turn the DBF-DEDPV motor off so you can clear the faulty duct condition and/or remove the obstruction. The DBF-DEDPV calibration cycle will need to be performed once more. (See Troubleshooting for complete details)

CIRCUIT FAILURE MODE (Flashing pink indicator light)

If, at any time during the calibration or operating cycle a flashing pink indicator light appear the DBF-DEDPV is not functioning properly due to a circuit or motor failure, stop the dryer immediately, turn off the power of the DBF-DEDPV and contact the manufacturer.

TEMPERATURE FAULT MODE (Flashing red indicator light)

The DBF-DEDPV is equipped with a non-resettable thermal fuse link which will trigger in case of a fire. This is a safety design feature to prevent the DBF-DEDPV from operating during abnormal or dangerous drying conditions. If this occurs, contact the manufacturer.

RECOMMENDED MAINTENANCE

Depending on use, but no longer than once a year, Atmosphere recommend cleaning the clothes dryer exhaust vent. On an annual basis make sure that exhaust hood flapper or backdraft damper are clean of lint and moves freely. The DBF-DEDPV motor is maintenance free. If the DBF-DEDPV is not functioning as it should, perform the calibration procedure. (See calibration instructions for complete details)

Fan impeller may accumulate lint. Periodic inspection, based upon clothes dryer usage, should be performed to ensure that it is not obstructed or loaded with lint.

To inspect and clean the impeller :

- Turn off power at the source
- Remove the fan unit from the housing of the DBF-DEDPV and clean any lint buildup on the impeller and near the inlet and outlet.
- Reinstall the fan unit. Turn power back on and recalibrate the unit. (See calibration instructions for complete details)

TROUBLESHOOTING

IMPORTANT — All faults are indicated by a different flashing indicator light or no lights at all on the notification panel. All faults must be investigated as outlined below and the DBF-DEDPV must only be turned on once a thorough investigation of the clothes dryer and vent system has been performed by authorized service provider. Perform DBF-DEDPV calibration procedure to clear any faults once investigation is complete.

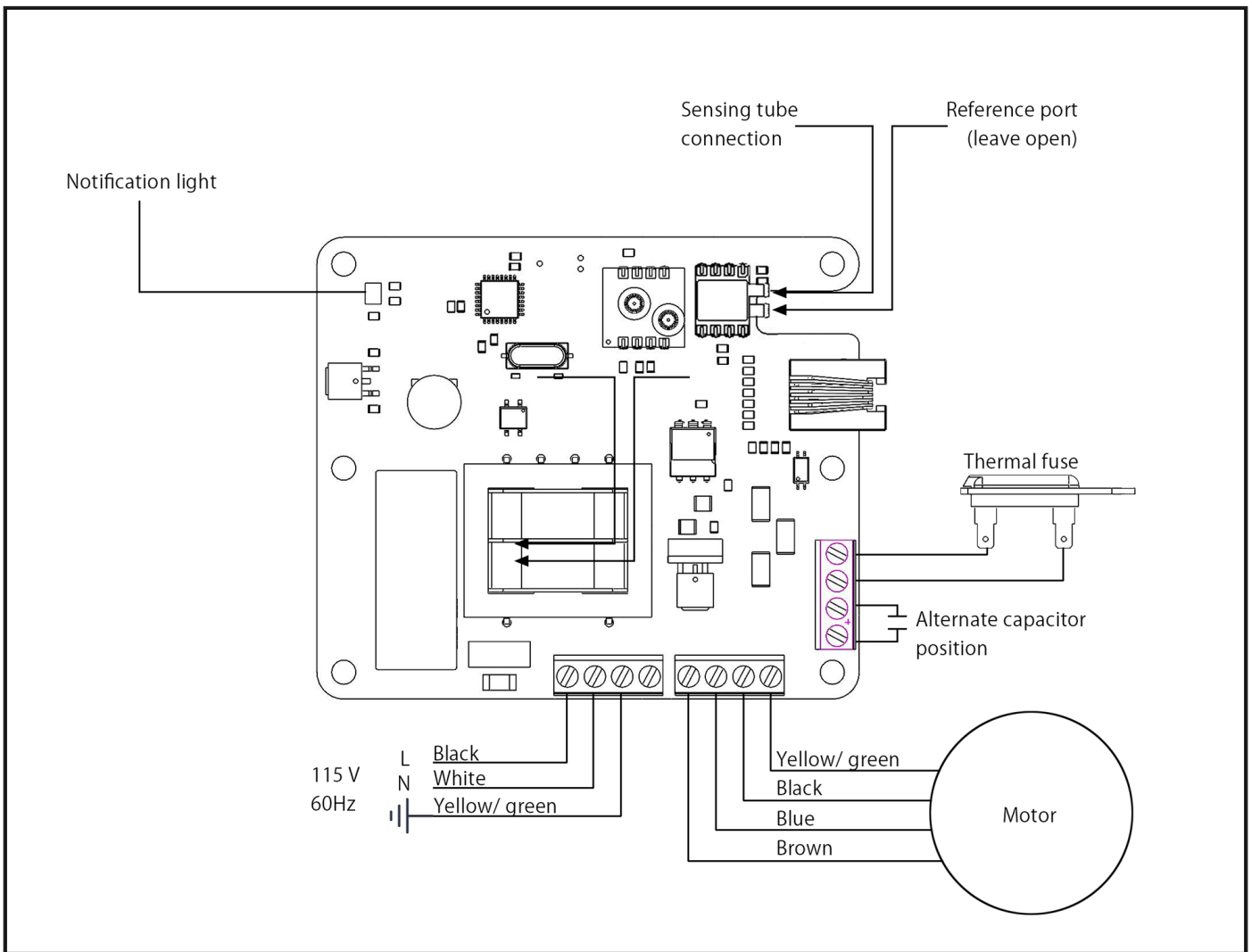
No Indicator Light | DBF-DEDPV not operating when clothes dryer runs.

- The DBF-DEDPV is interlocked to the dryer by sensing the pressure inside the exhaust duct when the dryer turns on.
- Clothes dryers are equipped with operating temperature controls that monitor drying temperatures. Maximum exhaust temperatures should not exceed 167°F. If the safety thermal fuse in the DBF-DEDPV trips, the clothes dryer is operating outside standard code limits. Contact the clothes dryer manufacturer or authorized service provider and replace the DBF-DEDPV.
- If the clothes dryer is operating normally, and there is no green indicator light on the notification panel, stop the clothes dryer immediately and have the vent system inspected and cleaned by an authorized service provider.

PRESSURE FAULT MODE (Flashing orange indicator light)

If at any time during the calibration or operating cycle of the DBF-DEDPV and the clothes dryer there is excessive positive pressure of +0.16" W.C. sensed for more than four minutes, the notification panel will show a flashing orange indicator light. Stop the clothes dryer immediately. Have the vent system inspected and cleaned by an authorized service provider. This is an indication of excessive back pressure in the vent system

WIRING DIAGRAM



WARRANTY

Ten (10) Year Warranty

This warranty supersedes all prior warranties

DURING ENTIRE WARRANTY PERIOD — Atmosphere will repair or replace any part which has a factory defect in workmanship or material. Product will need to be returned to the Atmosphere factory, together with a copy of the purchase invoice and identified with RMA number.

FOR FACTORY RETURN YOU MUST :

- Have a Return Materials Authorization (RMA) number. This may be obtained by contacting Atmosphere at info@atmosphere.com. Please have a copy of the purchase invoice available.
- The RMA number must be clearly written on the outside of box or it will be refused.
- All parts and/or product will be repaired/replaced and shipped back to buyer.
No credit will be issued.

OR

The distributor may place an order for the warranty part and/or product and will be invoiced. The distributor will receive a credit equal to the invoice only after product is returned, prepaid, and verified to be defective.

ATMOSPHERE WARRANTY TERMS DOES NOT PROVIDE FOR REPLACEMENT WITHOUT CHARGE PRIOR TO INSPECTION FOR A DEFECT. REPLACEMENTS ISSUED IN ADVANCE OF DEFECT INSPECTION ARE INVOICED AND CREDIT IS PENDING INSPECTION OF RETURNED MATERIAL. DEFECTIVE MATERIAL RETURNED BY END USERS SHOULD NOT BE REPLACED BY THE DISTRIBUTOR WITHOUT CHARGE TO THE END USER, AS CREDIT TO DISTRIBUTORS ACCOUNT WILL BE PENDING INSPECTION AND VERIFICATION OF ACTUAL DEFECT BY ATMOSPHERE.

THE FOLLOWING WARRANTIES DO NOT APPLY :

- Damages from shipping, either concealed or visible. Claim must be filed with freight company.
- Damages resulting from improper wiring or installation.
- Damages or failure caused by acts of God, or resulting from improper consumer procedure, such as :
 1. Improper installation
 2. Improper maintenance.
 3. Misuse, abuse, abnormal use, or accident and incorrect electrical connections.
 4. Removal or any alteration made on the Atmosphere label control number or date of manufacture. Any other warranty, expressed, implied or written, and to any consequential or incidental damages, loss or property, revenues, or profit, or costs of removal, installation or reinstallation, for any breach of warranty.

WARRANTY INVALIDATION

The user must keep a copy of the purchase invoice to verify purchase date.

This warranty gives you specific legal right and is subject to an applicable consumer protection legislation. You may have additional rights which vary from state to state.

LIMITATION OF WARRANTY AND LIABILITY

This warranty does not apply to any Atmosphere product or part which has failed as a result of misinstallation or abuse, incorrect electrical connections or alterations made by others, or use under abnormal operating conditions or misapplication of the product or parts. Atmosphere will not approve any payment for any repair not made by us or our authorized agent without prior written consent. The foregoing shall constitute our sole and exclusive warranty and our sole exclusive liability, and is in lieu of any other warranties, whether written, verbal, implied or statutory. There are no warranties which extend beyond the description on the page hereof. In no event, whether as a result of breach of contract, or warranty or alleged negligence, defect incorrect advice or other causes, shall Atmosphere be liable for special or consequential damages, including but not limited to, loss of profits or revenue, loss of use of equipment or any other associated equipment, cost of capital, cost of substitute equipment, facilities or services, downtime costs or claims of customers of purchase for such damages. Atmosphere neither assumes or authorizes any person to assume for it any other liability in connection with the sale of product(s) or part(s). Some jurisdictions do not allow the exclusion or limitation of incidental or consequential damages so the above limitations and exclusions may not apply to you.

WARNING — ATMOSPHERE reserves the right to make technical changes. For up-to-date documentation, please refer to www.atmosphere.com