

| | | |
|-----------------------|------------------------|-----------------|
| PROJECT: _____ | UNIT TAG: _____ | QUANTITY: _____ |
| REPRESENTATIVE: _____ | TYPE OF SERVICE: _____ | DATE: _____ |
| ENGINEER: _____ | SUBMITTED BY: _____ | DATE: _____ |
| CONTRACTOR: _____ | APPROVED BY: _____ | DATE: _____ |
| | ORDER NO.: _____ | DATE: _____ |

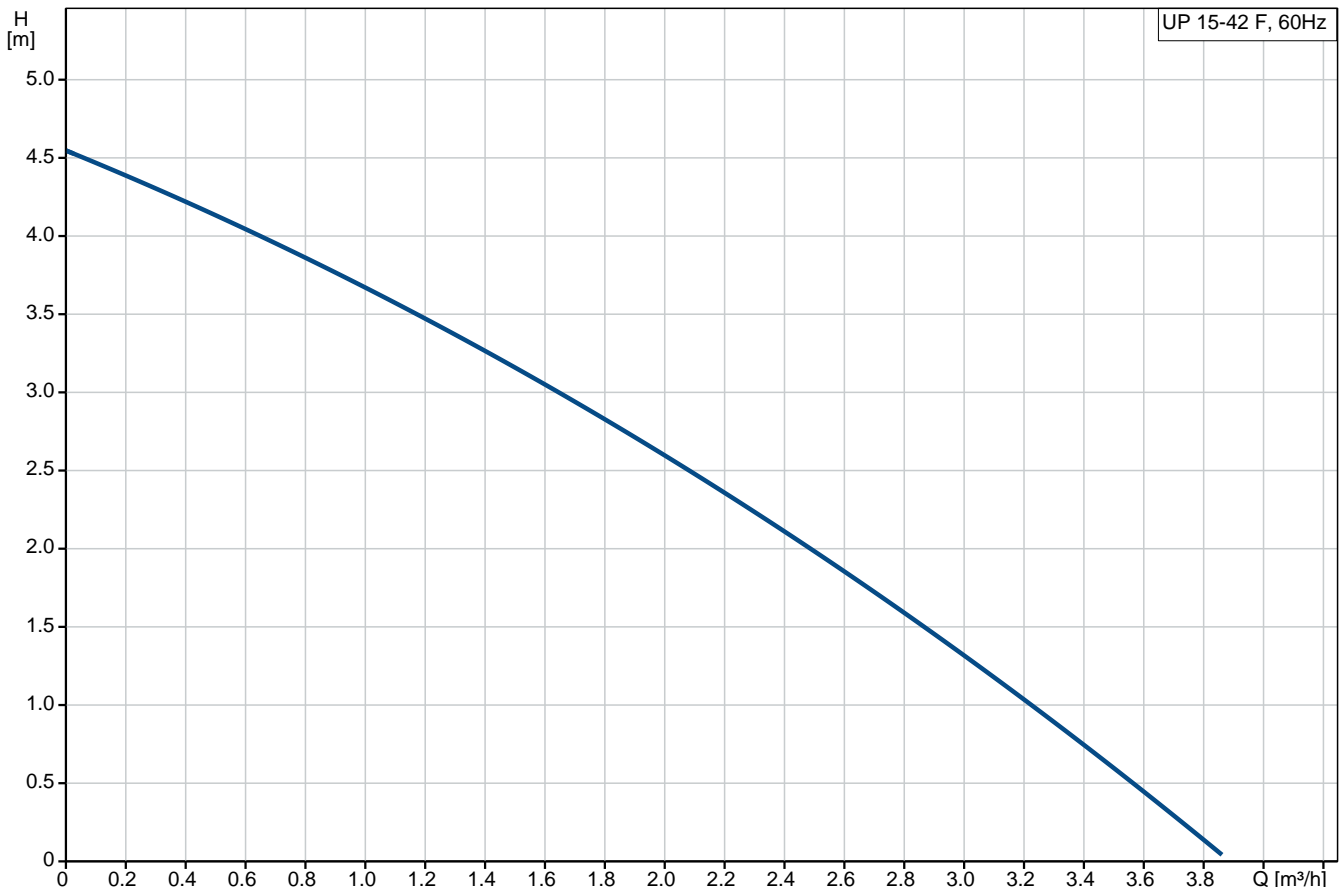


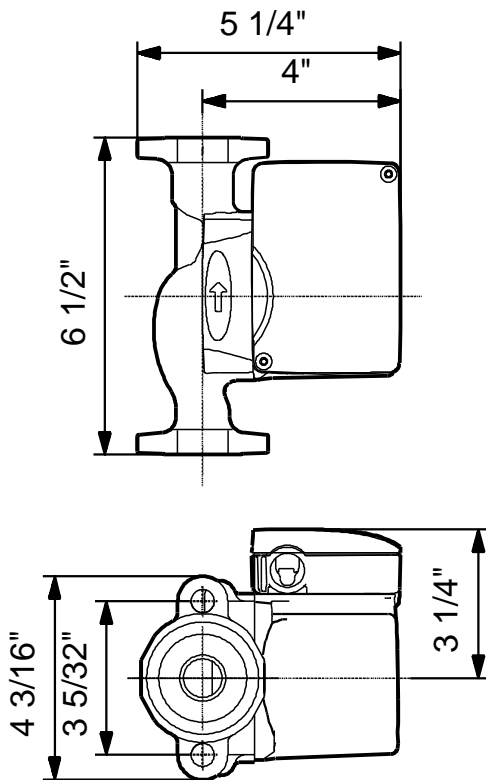
UP 15-42 F

Circulator pumps

Note! Product picture may differ from actual product

| Conditions of Service | Pump Data | Motor Data |
|-------------------------|---------------------------------------|------------------------------|
| Flow: _____ | Maximum operating pressure: 10 bar | Max. power input: 85 W |
| Head: _____ | Liquid temperature range: 2 .. 110 °C | Rated power - P2: 0.03 kW |
| Efficiency: _____ | Maximum ambient temperature: 40 °C | Rated voltage: 115 V |
| Liquid: Water | Approvals: UL, CSA | Mains frequency: 60 Hz |
| Temperature: 60 °C | Type of connection: C.I. Flange | Insulation class: F |
| NPSH required: m | Flange standard: USA Oval | Motor protection: CONTACT |
| Viscosity: _____ | Pipe connection: 2 - Bolt Flange | Thermal protection: Internal |
| Specific Gravity: 0.985 | Product number: On request | |





Materials:

Pump housing: Cast iron
EN-JL1030
ASTM 30 B
Impeller: Composite, PES

Tender Text



Note! Product picture may differ from actual product

Product No.: On request

UP 15-42 F

The pump is of the canned rotor type, i.e. pump and motor form an integral unit without shaft seal and with only two gaskets for sealing.

The bearings are lubricated by the pumped liquid.

The pump is characterized by:

- * Ceramic shaft and radial bearings.
- * Carbon axial bearing.
- * Stainless steel rotor can and bearing plate.
- * Corrosion-resistant impeller, Composite, PES.
- * Cast iron pump housing.

The motor is a 1-phase motor.

No additional motor protection is required.

Liquid:

Pumped liquid: Water
Liquid temperature range: 2 .. 110 °C
Liquid temperature during operation: 60 °C
Density: 983.2 kg/m³

Technical:

Approvals on nameplate: UL, CSA

Materials:

Pump housing: Cast iron
EN-JL1030
ASTM 30 B
Impeller: Composite, PES

Installation:

Maximum ambient temperature: 40 °C
Amb. max at 80 dgr C liquid: 80 °C
Maximum operating pressure: 10 bar
Flange standard: USA Oval
Type of connection: C.I. Flange
Pipe connection: 2 - Bolt Flange
Pressure rating: 10
Port-to-port length: 165 mm

Electrical data:

Max. power input: 85 W
Rated power - P2: 0.03 kW
Mains frequency: 60 Hz
Rated voltage: 1 x 115 V



Company name:

Created by:

Phone:


Date:

28/11/2017

Current in speed 3: 0.74 A
Capacitor size - run: 10 μ F/180 V
Number of poles: 2
Insulation class (IEC 85): F

Others:

Gross weight: 3.29 kg

| Position | Qty. | Description |
|----------|------|--|
| | 1 | <p>UP 15-42 F</p>  <p style="text-align: center;">Note! Product picture may differ from actual product</p> <p>Product No.: On request The pump is of the canned rotor type, i.e. pump and motor form an integral unit without shaft seal and with only two gaskets for sealing. The bearings are lubricated by the pumped liquid. The pump is characterized by:</p> <ul style="list-style-type: none"> * Ceramic shaft and radial bearings. * Carbon axial bearing. * Stainless steel rotor can and bearing plate. * Corrosion-resistant impeller, Composite, PES. * Cast iron pump housing. <p>The motor is a 1-phase motor. No additional motor protection is required.</p> <p>Liquid: Pumped liquid: Water Liquid temperature range: 2 .. 110 °C Liquid temperature during operation: 60 °C Density: 983.2 kg/m³</p> <p>Technical: Approvals on nameplate: UL, CSA</p> <p>Materials: Pump housing: Cast iron EN-JL1030 ASTM 30 B Impeller: Composite, PES</p> <p>Installation: Maximum ambient temperature: 40 °C Amb. max at 80 dgr C liquid: 80 °C Maximum operating pressure: 10 bar Flange standard: USA Oval Type of connection: C.I. Flange Pipe connection: 2 - Bolt Flange Pressure rating: 10 Port-to-port length: 165 mm</p> <p>Electrical data: Max. power input: 85 W Rated power - P2: 0.03 kW Mains frequency: 60 Hz Rated voltage: 1 x 115 V Current in speed 3: 0.74 A Capacitor size - run: 10 µF/180 V</p> |



Company name:

Created by:

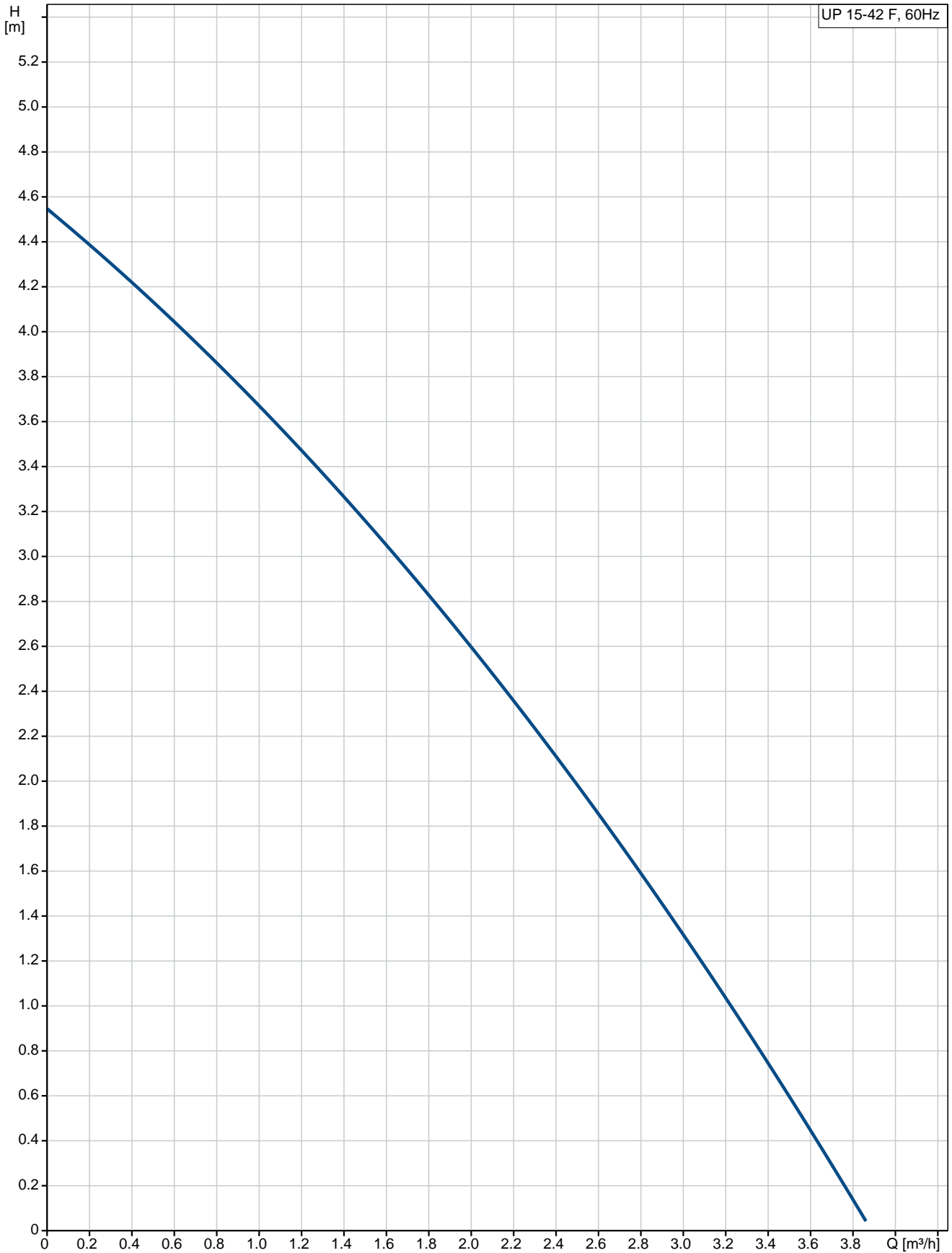
Phone:

Date:

28/11/2017

| Position | Qty. | Description |
|----------|------|--|
| | | Number of poles: 2 Insulation class (IEC 85): F |
| | | Others: Gross weight: 3.29 kg |

On request UP 15-42 F 60 Hz

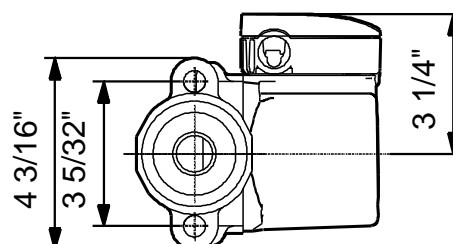
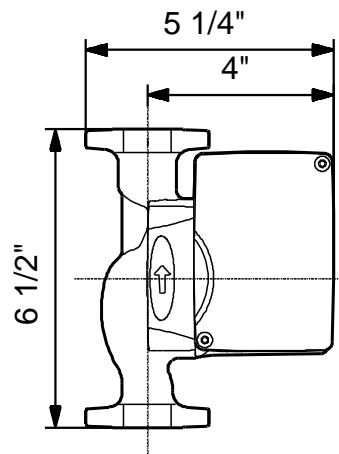
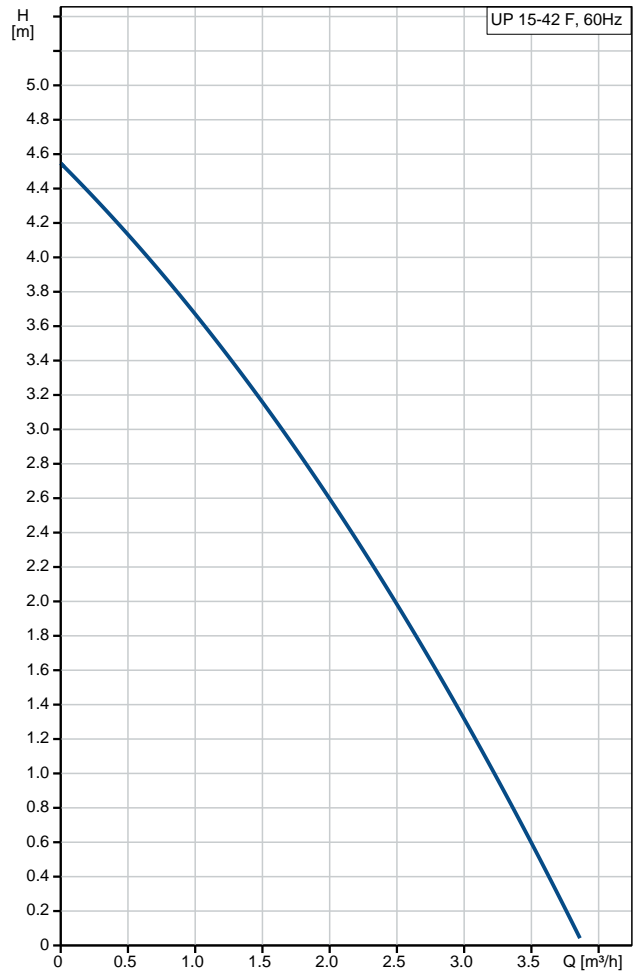


| Description | Value |
|--------------------------------------|-------------------------------------|
| General information: | |
| Product name: | UP 15-42 F |
| Product No: | On request |
| EAN number: | On request |
| Technical: | |
| Speed no: | 1 |
| Max flow: | 3.9 m ³ /h |
| Head max: | 4.6 m |
| Approvals on nameplate: | UL, CSA |
| Materials: | |
| Pump housing: | Cast iron EN-JL1030 ASTM 30 B |
| Impeller: | Composite, PES |
| Installation: | |
| Maximum ambient temperature: | 40 °C |
| Amb. max at 80 dgr C liquid: | 80 °C |
| Maximum operating pressure: | 10 bar |
| Flange standard: | USA Oval |
| Type of connection: | C.I. Flange |
| Pipe connection: | 2 - Bolt Flange |
| Pressure rating: | 10 |
| Port-to-port length: | 165 mm |
| Liquid: | |
| Pumped liquid: | Water |
| Liquid temperature range: | 2 .. 110 °C |
| Liquid temperature during operation: | 60 °C |
| Density: | 983.2 kg/m ³ |

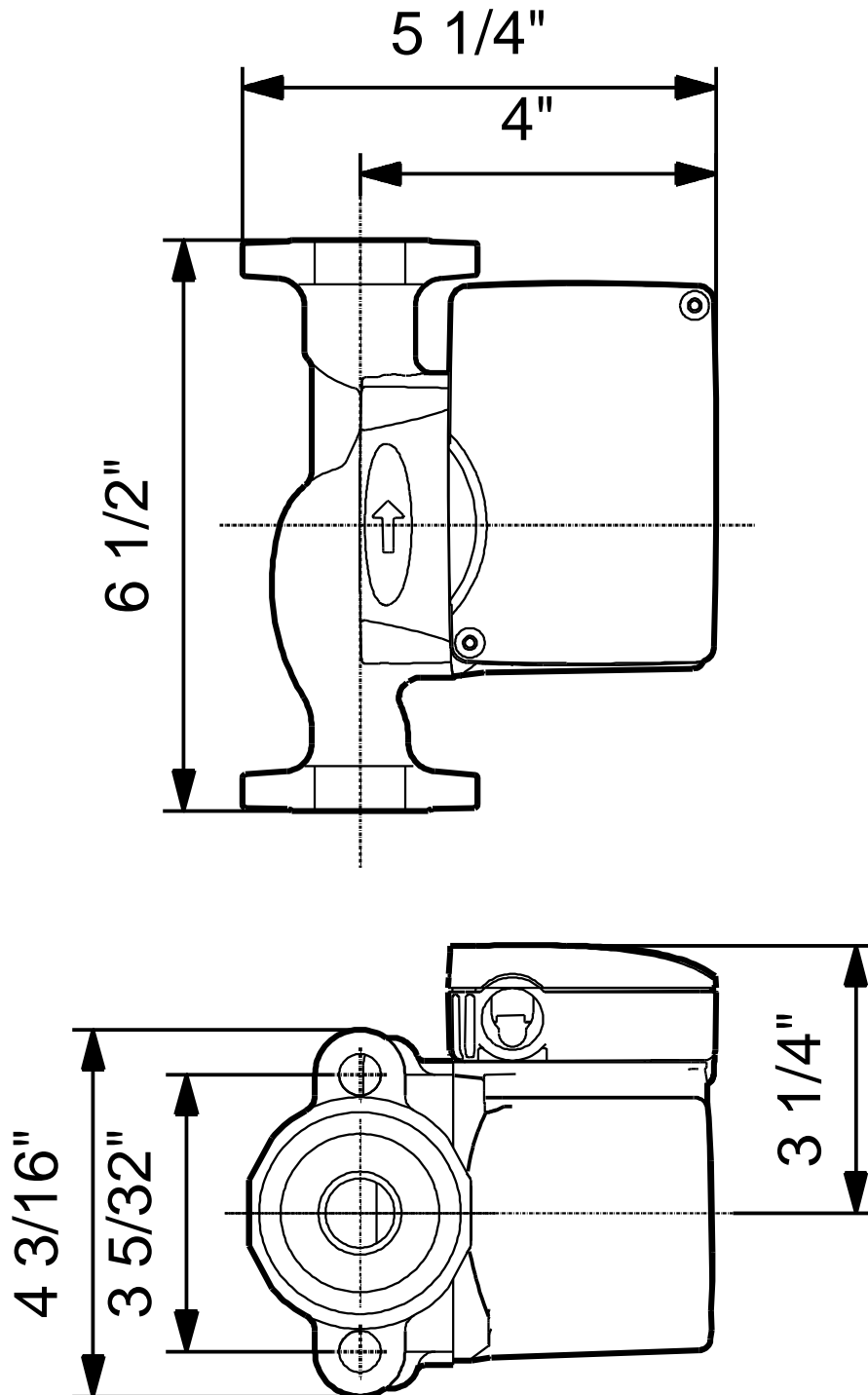
| | |
|----------------------------|-------------|
| Electrical data: | |
| Max. power input: | 85 W |
| Rated power - P2: | 0.03 kW |
| Mains frequency: | 60 Hz |
| Rated voltage: | 1 x 115 V |
| Current in speed 3: | 0.74 A |
| Capacitor size - run: | 10 µF/180 V |
| Number of poles: | 2 |
| Insulation class (IEC 85): | F |
| Motor protec: | CONTACT |
| Thermal protec: | Internal |

| | |
|------------------|----|
| Controls: | |
| Pos term box: | 9H |

| | |
|----------------|---------|
| Others: | |
| Gross weight: | 3.29 kg |



On request UP 15-42 F 60 Hz



Note! All units are in [mm] unless others are stated.
Disclaimer: This simplified dimensional drawing does not show all details.



Company name:

Created by:

Phone:

Date: 28/11/2017

Order Data:

Product name: UP 15-42 F

Amount: 1

Product No: On request

Total: Price on request
