



325 COMMERCE DRIVE
 MT VERNON, OH 43050
 800-253-8236

SPECIFICATION DATA SHEET

DATE: 5-20-13
 PREPARED BY: RL

MODEL NO. 154

FLAT SHEETS

STANDARD MODEL

DIMENSIONS

SIZE

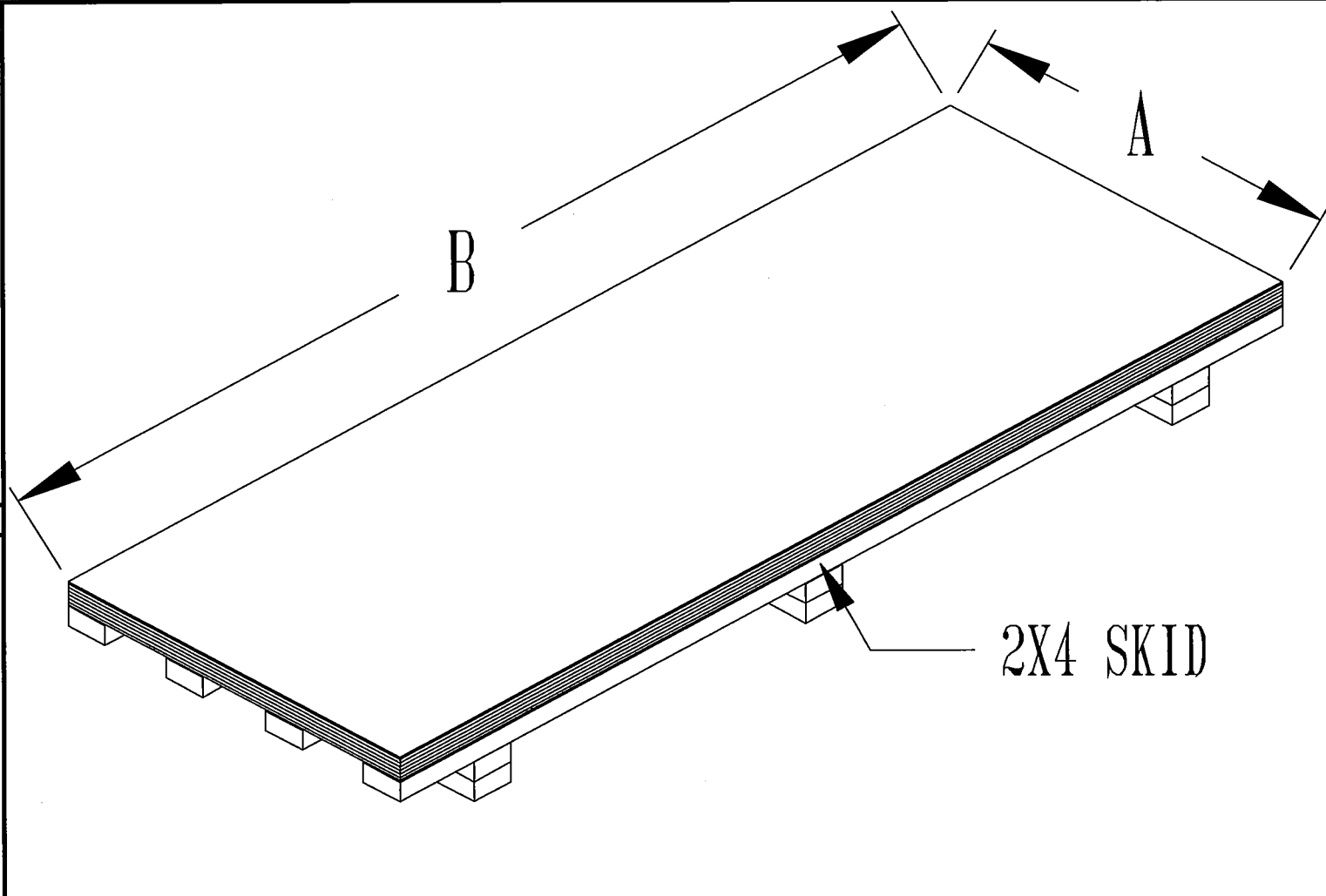
A	x	B	GAUGES AVAILABLE
1"	x	120"	26, 24, 20
1 1/2"	x	96"	24
1 1/2"	x	120"	24
3"	x	96"	28
24"	x	24"	STD
24"	x	30"	STD
36"	x	36"	STD, 26
36"	x	48"	26
36"	x	60"	28
36"	x	96"	28, 26
48"	x	96"	26, 24
48"	x	120"	26

MATERIAL SPECIFICATIONS

HOT DIPPED GALVANIZED STEEL
 PER ASTM A 653 CSB

OTHER GAUGES AVAILABLE

OPTIONS



2X4 SKID

JOB: _____
 LOCATION: _____
 CONTRACTOR: _____
 ENGINEER: _____
 NOTES: _____