



SPARE PARTS EXPLODED VIEW GAS-WALL CONDENSING BOILERS

Model

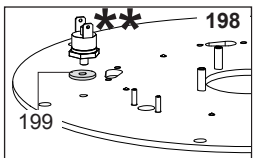
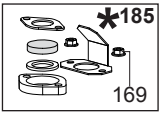
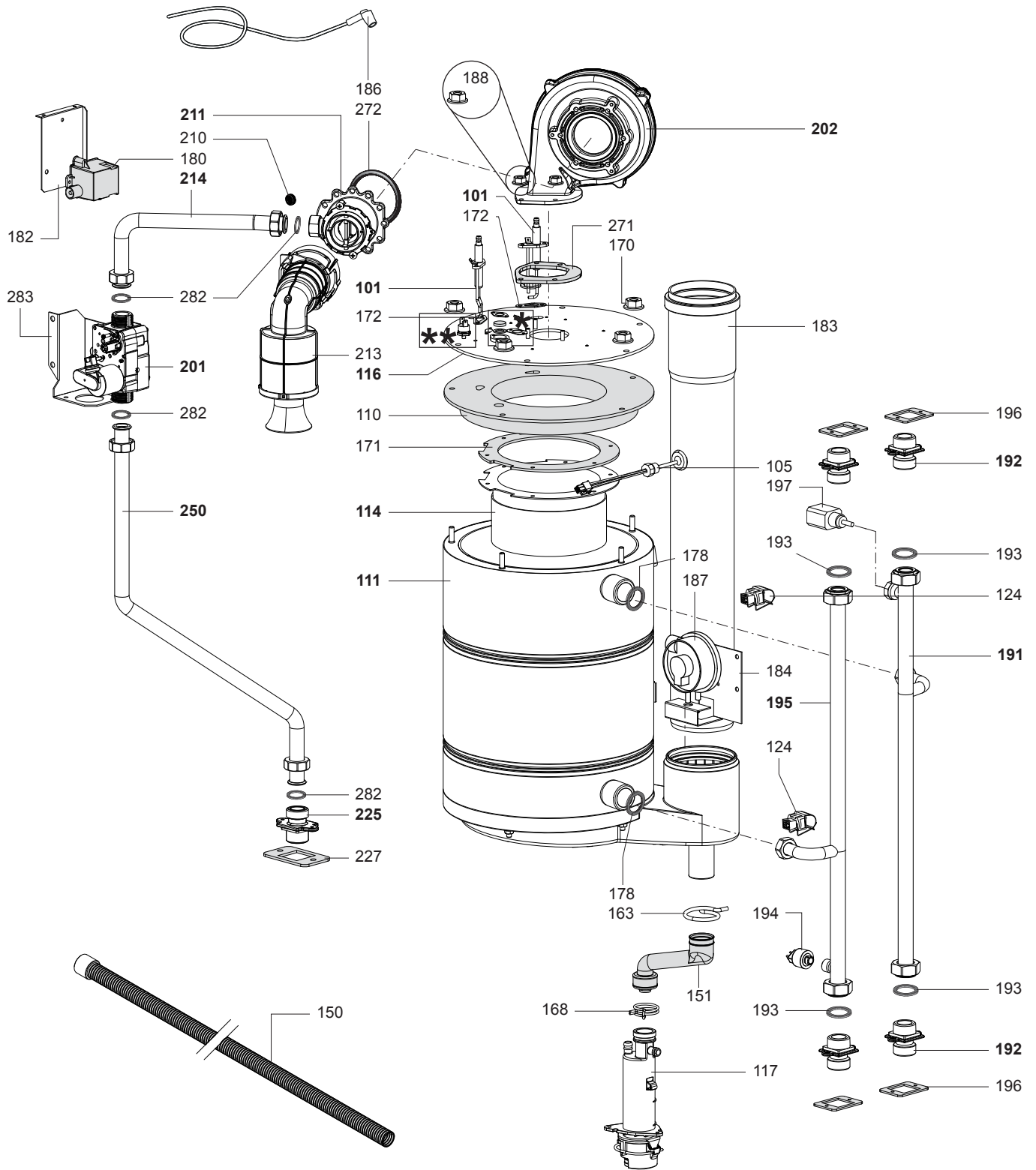
TFTN085-199

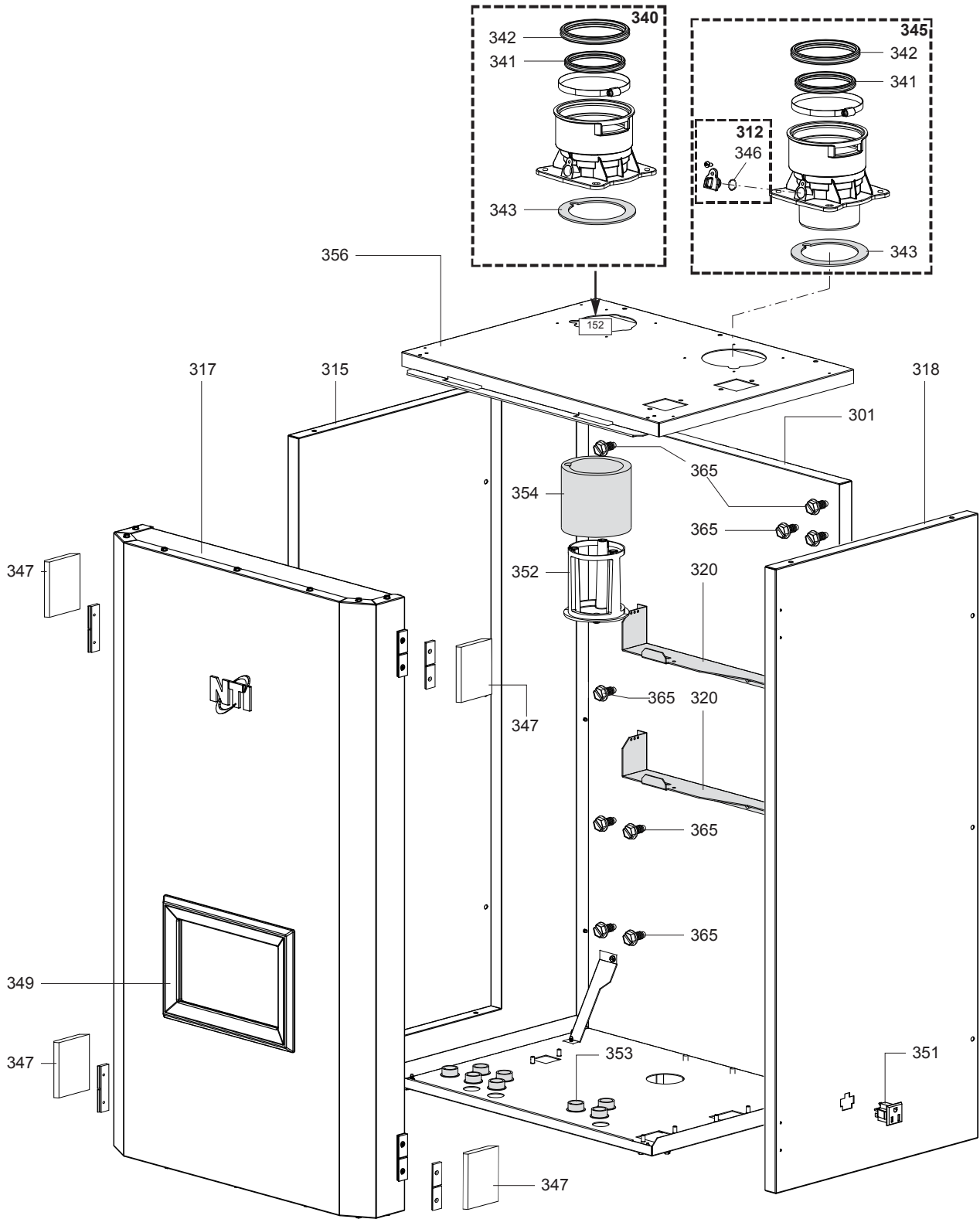
R8218967-01 - 10/10/2022

TFTN085-199

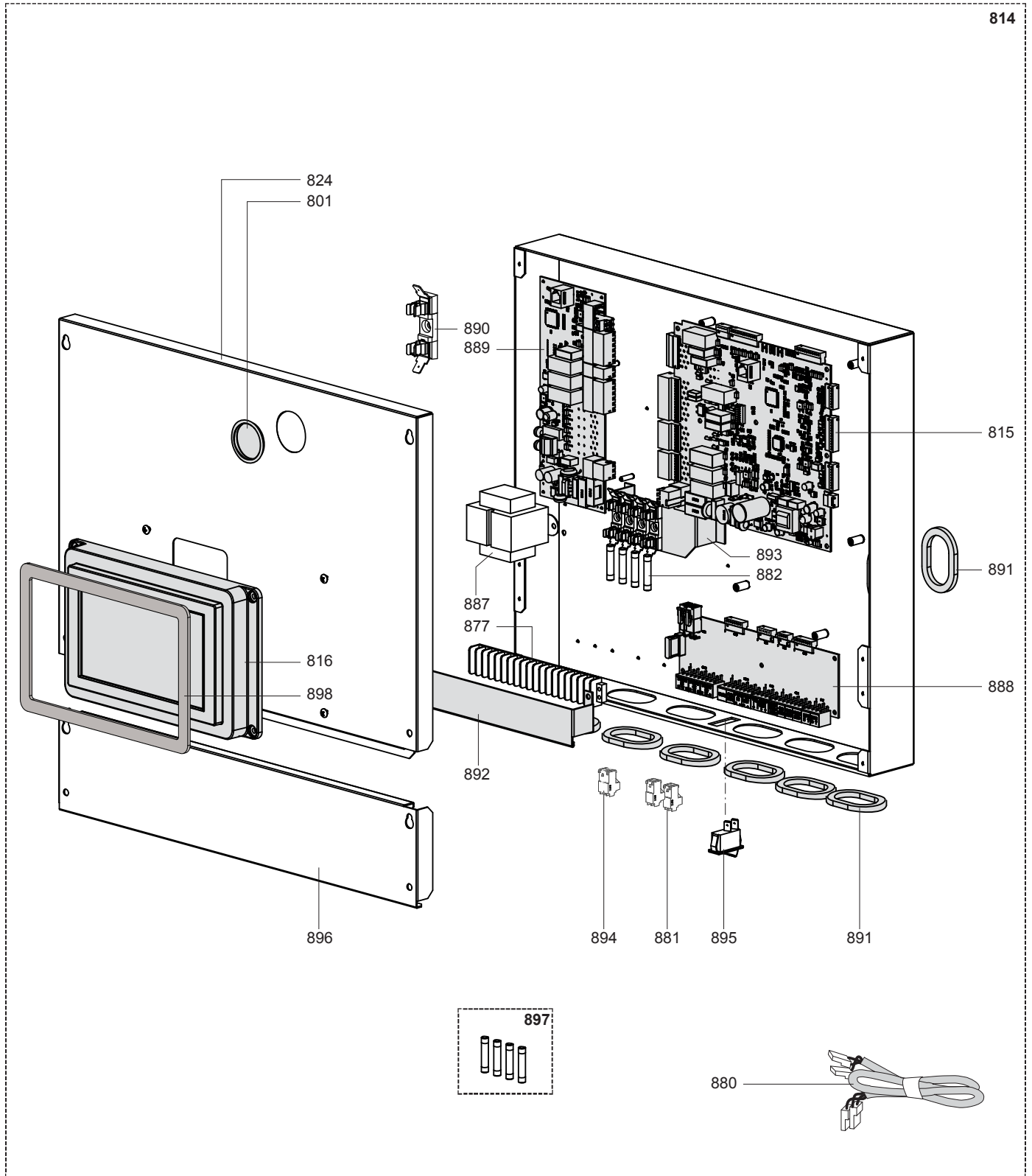
Gas-wall condensing boilers

1	3260134	TFTN085 BOILER	09-2022	-
2	3260135	TFTN110 BOILER	09-2022	-
3	3260136	TFTN150 BOILER	09-2022	-
4	3260137	TFTN199 BOILER	09-2022	-
Col	Reference	Model type	Begin	End





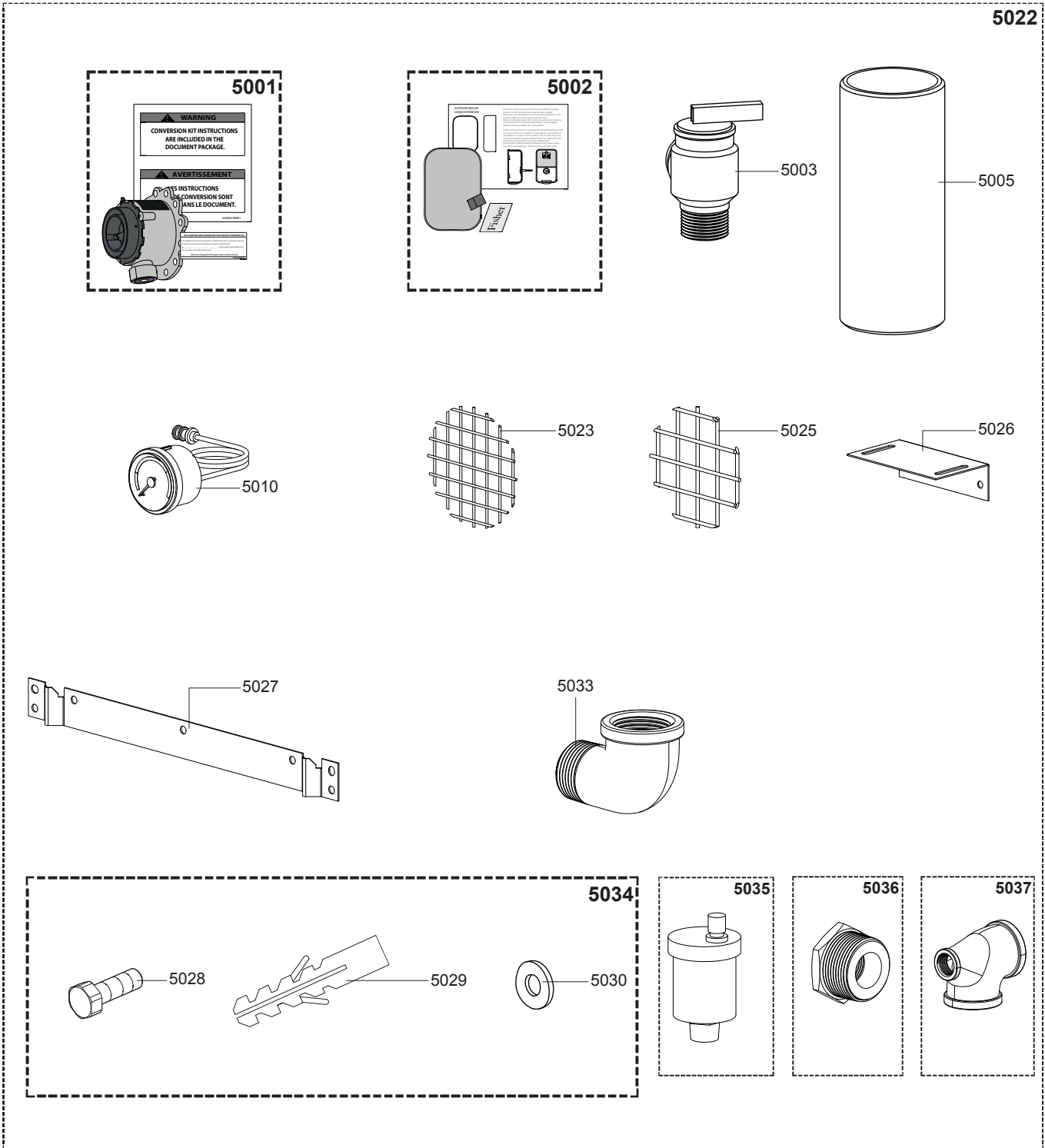
☉⇒	Description	Manf. Pt. N	Type	<div style="display: flex; justify-content: space-between; align-items: center;"> <div style="transform: rotate(-45deg); font-size: small;"> TFTN085 boiler TFTN110 boiler TFTN150 boiler TFTN199 boiler </div> <div style="border: 1px solid black; padding: 2px;"> 31 </div> </div>																		From	to
				1	2	3	4	5	6	7	8	9	10	11	12	13	14	15	16	17	18		
0300	CHASSIS-FRONT CASE																						
0301	BACK/BOTTOM	64980492		•	•																		
	BACK/BOTTOM	64980493					•	•															
0312	FLUE TEST PORT PLUG	64980209		•	•	•	•																
0315	PANEL, LEFT SIDE	64980485		•	•																		
	PANEL, LEFT SIDE	64980486					•	•															
0317	FRONT COVER	64980482		•	•	•	•																
0318	PANEL, RIGHT SIDE	64980483		•	•																		
	PANEL, RIGHT SIDE	64980484					•	•															
0320	HEAT EXCHANGER SUPPORT, BOTTOM/TOP	64980489		•	•																		
	HEAT EXCHANGER SUPPORT, BOTTOM/TOP	64980490					•																
	HEAT EXCHANGER SUPPORT, BOTTOM/TOP	64980491						•															
0340	ADAPTOR (AIR INLET)	64980206		•	•	•	•																
0341	SEAL GASKET OUTLET 80	64980237		•	•	•	•																
0342	GASKET D90 EPDM SH.A PEROX	64980207		•	•	•	•																
0343	FOAM FLUE GAS ADAPTOR	64980208		•	•	•	•																
0345	ADAPTOR (FLUE OUTLET)	64980210		•	•	•	•																
0346	O-RING SEAL 2,7X8,9 EPDM PEROX 70 Sh.	64980236		•	•	•	•																
0347	DOOR LATCH KIT X 1	64980537		•	•	•	•																
0349	HMI BEZEL	64980505		•	•	•	•																
0351	RECEPTACLE, 120VAC	6000084423		•	•	•	•																
0352	AIR FILTER HOUSING KIT	64980498		•	•	•	•																
0353	PLUG, 7/8" BLACK DOME	6000084095		•	•	•	•																
0354	AIR FILTER	64980497		•	•	•	•																
0356	TOP PANEL	64980487		•	•																		
	TOP PANEL	64980488					•	•															
0365	SCREW, 1/4-14 X 3/8"	6000083970		•	•	•	•																



☉⇒	Description	Manf. Pt. N	Type	<div style="display: flex; justify-content: space-between; align-items: center;"> <div style="transform: rotate(-45deg); font-size: small;"> TFTN085 boiler TFTN110 boiler TFTN150 boiler TFTN199 boiler </div> <div style="border: 1px solid black; padding: 2px;"> 31 </div> </div>																		From	to
				1	2	3	4	5	6	7	8	9	10	11	12	13	14	15	16	17	18		
0800	ELECTRICAL BOX																						
0801	PLUG, CONTROL PANEL COVER	64980504		•	•	•	•																
0814	CONTROL PANEL (WITH HARNESS AND PCBS)	64980474		•	•	•	•																
0815	MAIN PCB, ACP CONTROLLER ACP	64980472		•	•	•	•																
0816	HMI, TOUCHSCREEN 7 in	64980468		•	•	•	•																
0824	COVER, CONTROL PANEL	64980481		•	•	•	•																
0877	BARRIER, HIGH VOLT FIELD CONNECTION	64980536		•	•	•	•																
0880	WIRING, GAS VALVE	64980534		•	•	•	•																
	WIRING, TFTN085-199, AUX1 PUMP	64980511		•	•	•	•																
	WIRING, TFTN085-199, AUX2 PUMP	64980512		•	•	•	•																
	WIRING, TFTN085-199, AUX2 PUMP/TRANSFOR.	64980520		•	•	•	•																
	WIRING, TFTN085-199, BLWR/VAR PUMP CTRL	64980513		•	•	•	•																
	WIRING, TFTN085-199, DHW PUMP	64980510		•	•	•	•																
	WIRING, TFTN085-199, EBUS, FIELD SENSORS	64980509		•	•	•	•																
	WIRING, TFTN085-199, FLAME SENSOR	64980515		•	•	•	•																
	WIRING, TFTN085-199, GAS, IGNITER, LWCO	64980514		•	•	•	•																
	WIRING, TFTN085-199, GND	64980517		•	•	•	•																
	WIRING, TFTN085-199, HMI	64980518		•	•	•	•																
	WIRING, TFTN085-199, POWER SUPPLY	64980519		•	•	•	•																
	WIRING, TFTN085-199, WI-FI	64980516		•	•	•	•																
	WIRING, TFTN085-199, WPS, APS, TEMP/SW	64980508		•	•	•	•																
	WIRING, TFTN085-199, ZONE OUTPUTS	64980522		•	•	•	•																
	WIRING, TFTN085-199, ZONE SUPPLY	64980521		•	•	•	•																
0881	CONNECTOR 2P	65111933		•	•	•	•																
0882	FUSE, 10A, MAIN PCB, ACP	64980479		•	•	•	•																
	FUSE, 2A, 32V, PLUG STYLE	64980476		•	•	•	•																
	FUSE, 2A, ZONE CONTROLLER, C3Z	64980480		•	•	•	•																
	FUSE, 5A, ZONE PUMPS	64980478		•	•	•	•																
0887	TRANSFORMER 24V, 40VA	64980471		•	•	•	•																
0888	PCB, LOW VOLTAGE CONNECTION	64980475		•	•	•	•																
0889	PCB, 3-ZONE CONTROLLER	64980499		•	•	•	•																
0890	FUSES HOLDER	64980477		•	•	•	•																
0891	WIRING GROMMET (45 mm)	64980526		•	•	•	•																
0892	COVER, HIGH VOLTAGE BARRIER	64980524		•	•	•	•																
0893	BRACKET, FUSE HOLDER	64980525		•	•	•	•																
0894	CONNECTOR 3P (x5)	65111934-01		•	•	•	•																
0895	SWITCH, ON-OFF	64980535		•	•	•	•																
0896	COVER, FIELD WIRING	64980473		•	•	•	•																
0897	SPARE FUSE KIT (2 EACH)	64980527		•	•	•	•																
0898	GASKET, HMI TO FRONT COVER	64980503		•	•	•	•																

TFTN085-199

Gas-wall condensing boilers



☉⇒	Description	Manf. Pt. N	Type	<div style="display: flex; justify-content: space-between; align-items: center;"> <div style="transform: rotate(-45deg); font-size: small;"> TFTN085 boiler TFTN110 boiler TFTN150 boiler TFTN199 boiler </div> <div style="border: 1px solid black; padding: 2px;"> 31 </div> </div>																		From	to
				1	2	3	4	5	6	7	8	9	10	11	12	13	14	15	16	17	18		
5000	JIG PLATE & PIPE FITTING																						
5001	LP CONVERSION KIT, TFTN085-110	64980528		•	•																		
	LP CONVERSION KIT, TFTN150	64980529				•																	
	LP CONVERSION KIT, TFTN199	64980530					•																
5002	OUTDOOR SENSOR	64980218		•	•	•	•																
5003	PRESSURE RELIEF VALVE	65118683		•	•	•	•																
5005	CPVC PIPE 3 in, SYSTEM 636, 5 in LONG	64980094		•	•	•	•																
5010	PRESSURE/TEMPERATURE GAUGE	65118685		•	•	•	•																
5022	INSTALLATION KIT BOX, TFTN085-110	64980531		•	•																		
	INSTALLATION KIT BOX, TFTN150	64980532					•																
	INSTALLATION KIT BOX, TFTN199	64980533						•															
5023	ROUND MESH, VENT SCREEN (2.25 in)	64980211		•	•	•	•																
5025	ROUND MESH, VENT SCREEN (3.375 in)	64980212		•	•	•	•																
5026	WALL MOUNT BRACKET BOTTOM	64980467		•	•	•	•																
5027	WALL MOUNT BRACKET (UPPER)	64980464		•	•	•	•																
5028	WALL MOUNT HARDWARE LEG BOLT	64980213		•	•	•	•																
5029	WALL MOUNT HARDWARE PLASTIC PLUG	64980214		•	•	•	•																
5030	WALL MOUNT HARDWARE WASHER	64980215		•	•	•	•																
5033	ELBOW, BRASS, STREET 90, 3/4 in	64980539		•	•	•	•																
5034	WALL MOUNTING HARDWARE KIT	64980538		•	•	•	•																
5035	AUTO AIR VENT, 1/2" NPT	64980459		•	•	•	•																
5036	BRASS BUSHING, 1-1/4 IN X 3/4 IN	64980495		•	•	•	•																
5037	BRASS TEE, 1-1/4 IN X 1/2 IN X 1-1/4 IN	64980496		•	•	•	•																

TFTN085-199

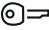


Gas-wall condensing boilers

		EN		DE		NL		
		FR		ES		IT		
0101	64980172	IGNITION ELECTRODE ELECTRODE ALLUMAGE		ZUNDELEKTRODE ELECTRODO DE ENCENDIDO		ELECTRODE ONTSTEKING ELETTRODO D'ACCENSIONE		1
0105	64980174	NTC SENSOR 4X45 1/4 10K3 SS CAPTEUR NTC 4X45 1/4 10K3 SS		NTC SENSOR 4X45 1/4 10K3 SS NTC SENSOR 4X45 1/4 10K3 SS		NTC SENSOR 4X45 1/4 10K3 SS SENSORE NTC 4X45 1/4 10K3 SS		0
0110	64980168	INSULATION (BURNER DOOR-VC30) PANNEAU ISOLEMENT VC30		ISOLIERUNGSPANEEL VC30 PANEL AISLANTE VC30		PANNEAU ISOLEMENT VC30 PANNELLO ISOLANTE VC30		1
	64980169	INSULATION (BURNER DOOR-VC45) PANNEAU ISOLEMENT VC45		ISOLIERUNGSPANEEL VC45 PANEL AISLANTE VC45		PANNEAU ISOLEMENT VC45 PANNELLO ISOLANTE VC45		1
	64980170	INSULATION (BURNER DOOR-VC60) PANNEAU ISOLEMENT VC60		ISOLIERUNGSPANEEL VC60 PANEL AISLANTE VC60		PANNEAU ISOLEMENT VC60 PANNELLO ISOLANTE VC60		1
0111	64980160	HEAT EXCHANGER VC30 AIC ECHANGEUR VC30 AIC		AUSTAUSCHER VC30 AIC INTERCAMBIADOR VC30 AIC		WARMTEWISSELAAR VC30 AIC SCAMBIATORE VC30 AIC		1
	64980161	HEAT EXCHANGER VC45 AIC ECHANGEUR VC45 AIC		AUSTAUSCHER VC45 AIC INTERCAMBIADOR VC45 AIC		WARMTEWISSELAAR VC45 AIC SCAMBIATORE VC45 AIC		1
	64980162	HEAT EXCHANGER VC60 AIC ECHANGEUR VC60, AIC		AUSTAUSCHER VC60 AIC INTERCAMBIADOR VC60 AIC		WARMTEWISSELAAR VC60, AIC SCAMBIATORE VC60 AIC		1
0114	64980158	BURNER VC30 BRULEUR VC30		BRENNER VC30 QUEMADOR VC30		BRANDER VC30 BRUCIATORE VC30		1
	64980159	BURNER VC45/VC60 BRULEUR VC45/VC60		BRENNER VC45/VC60 QUEMADOR VC45/VC60		BRANDER VC45/VC60 BRUCIATORE VC45/VC60		1
0116	64980461	BURNER TOP PLATE PLAQUE SUPÉRIEURE DU BRÛLEUR		BRENNERDECKPLATTE PLACA SUPERIOR DEL QUEMADOR		BOVENPLAAT BRANDER PIASTRA BRUCIATORE		0
	64980462	BURNER TOP PLATE PLAQUE SUPÉRIEURE DU BRÛLEUR		BRENNERDECKPLATTE PLACA SUPERIOR DEL QUEMADOR		BOVENPLAAT BRANDER PIASTRA BRUCIATORE		0
	64980463	BURNER TOP PLATE PLAQUE SUPÉRIEURE DU BRÛLEUR		BRENNERDECKPLATTE PLACA SUPERIOR DEL QUEMADOR		BOVENPLAAT BRANDER PIASTRA BRUCIATORE		0
0117	64980219	CONDENSATE TRAP SIPHON		SIPHON SIFON ANTICONDENSACION		SIFON SIFONE SCARICO CONDENSA		1
0124	64980457	TEMPERATURE SENSOR, SUPPLY/RETURN CAPTEUR DE TEMPÉRAT., REFOUL./RET.		TEMPERATURFÜHLER, VOR-/RÜCKLAUF SENSOR DE TEMP., ENVÍO/RETORNO		TEMPERATUURSENSOR, AANV./RET. SENSORE TEMPERATURA .MAND./RIT.		0
0150	64980542	COND.DRAIN TUBE STREIGHT L1000 TUBE D'ÉVAC.DES COND.DROIT L1000		KONDENSATLAUFROHR GERADE L1000 TUBO DE DESAGÜE DE COND.L1000		CONDENSATFOERBUIS RECHT L1000 TUBO SCAR CONDENS.DIRITTO L1000		1
0151	64980178	CONDENSATE DRAIN PIPE TUYAU D'ÉVAC.DES CONDENSATS		KONDENSATABLAUFROHR TUBO DE DRENAJE DE CONDENS.		CONDENSATFOERLEIDING TUBO SCARICO CONDENSA		1
0163	64980243	CLAMP SERRER		KLEMME ABRAZADERA		KLEM MORSETTO		0
0168	60000533	COLLAR ON FLEXIBLE COLLIER SUR SOUPLE		KRAGEN AUF FLEXIBEL COLLAR EN FLEXIBLE		KRAAG OP FLEXIBEL COLLARE SU FLESSIBILE		1
0169	64980242	NUT, SERRATED FLANGE M3 ECROU, BRIDE SERREE M3		MUTTER, SERRIERTER FLANSCH M3 TUERCA, BRIDA SERRADA M3		MOER, GESLAGEN FLENS M3 DADO FLANGIATO M3		0
0170	6000085959	BURNER GASKET NUTS ÉCROUS (JOINT BRÛLEUR)		MUTTERN (BRENNERDICHTUNG) TUERCAS (JUNTA QUEMADOR)		MOER, GESLAGEN FLENS M5-08 DADO FLANGIATO M5-08		0
0171	64980166	GASKET (BURNER-VC30) JOINT BRULEUR VC30		DICHTUNG (BRENNER VC30) JUNTA QUEMADOR VC30		DICHTING (BRANDER VC30) GUARNIZIONE BRUCIATORE VC30		1
	64980167	GASKET (BURNER-VC45/VC60) JOINT BRULEUR VC45/VC60		FORMDICHTUNG (BRENNER VC45/VC60) JUNTA QUEMADOR VC45/VC60		DICHTING (BRANDER VC45/VC60) GUARNIZIONE BRUCIATORE VC45/VC60		1
0172	60000286-01	GASKET (IGNITION ELECTRODE) JOINT ELECTRODE		DICHTUNG ELEKTRODEN JUNTA ELECTRODO		DICHTING ELECTRODE GUARNIZIONE ELETTRODI		1
0178	64980157	GASKET (PUMP) JOINT POMPE		DICHTUNG PUMPE JUNTA BOMBA		AFDICHTING POMP GUARNIZIONE POMPA		1
0180	64980469	SPARK GENERATOR TRANSFORMATEUR D'ALLUMAGE		ZÜNDTRAFO TRANSFORMADOR DE ENCENDIDO		ONTSTEKING TRANSFORMATOR ACCENDITORE		0
0182	64980494	SPARK GENERATOR SUPPORT BRACKET SUPPORT, TRANSFORM.D'ALLUMAGE		HALTER, ZÜNDTRAFO SOPORTE, TRANSFORM.DE ENCEND.		STEUN, ONTSTEKING TRANSFORMATOR STAFFA ACCENDITORE		0
0183	64980173	FLUE PIPE (POLYPROPYLENE) TUBE EN PLASTIQUE		ABGASROHR TUBO DE HUMOS CENTROTERM		FLUE PIPE (POLYPROPYLENE) TUBO SCARICO FUMI (POLIPROPILENE)		1
0184	64980466	AIR SWITCH BRACKET SUPPORT DE PRESSOSTAT D'AIR		LUFTSCHALTERHALTERUNG SOPORTE DEL PRESOST.DE AIRE		BEUGEL LUCHTDRUKSCHAKELAAR STAFFA PRESSOSTATO ARIA		0
0185	64980222	SIGHT GLASS (COMPLETE) SIGHT GLASS (COMPLETE)		SIGHT GLASS (COMPLETE) SIGHT GLASS (COMPLETE)		SIGHT GLASS (COMPLETE) VETRO SPIA (COMPLETO)		1
0186	64980470	CABLE (IGNITION ELECTRODE) CÂBLE (ÉLECTRODE D'ALLUMAGE)		KABEL (ZÜNDELEKTRODE) CABLE (ELECTRODO DE ENCENDIDO)		KABEL (ONTSTEKINGSELEKTRODE) CAVO ELETTRODO ACC.		0
0187	65118678	AIR PRESSURE SWITCH PRESSOSTAT AIR		LUFTWACHTER PRESOSTATO AIRE		DRUKSCHAKELAAR LUCHT PRESSOSTATO ARIA		1
0188	64980241	NUT, SERRATED FLANGE M5-08 ECROU, BRIDE SERREE M5-08		MUTTER, SERRIERTER FLANSCH M5-08 TUERCA, BRIDA SERRADA M5-08		MOER, GESLAGEN FLENS M5-08 DADO FLANGIATO M5-08		0
	64980457	TEMPERATURE SENSOR, SUPPLY/RET. CAPTEUR DE TEMPÉRAT., REF./RET.		TEMPERATURFÜHLER, VOR-/RÜCKLAUF SENSOR DE TEMPÉR., ENVÍO/RET.		TEMPERATUURSENSOR, AANVOER/RET. SENSORE TEMPER.MANDATA/RIT.		0
0191	64980458	SUPPLY PIPE, CU, 28 MM TUYAU D'ALIMENTATION, CU, 28 mm		ZUFÜHRSCHLAUCH, CU, 28 mm MANGUERA DE ENVÍO, CU, 28 mm		AANVOERLEIDING, CU, 28 mm TUBO MANDATA, CU, 28 mm		0
0192	64980501	BRASS ADAPTER, M 1.25 NPT X M 1.25 G ADAPTAT.EN LAITON, M1,25NPTXM1,2G		MESSINGADAPTER, M1,25NPTXM1,25G ADAPTAD.DE LATÓN, M1,25NPTXM1,25G		MESSING ADAPTER, M 1.25 NPT X M 1.25 G RACC.OTT, M 1.25 NPT X M 1.25 G		0

☰	XXXXXXXX	EN	DE	NL	X
		FR	ES	IT	
0193	64980502	GASKET, 1.25-INCH, EPDM JOINT, 1,25 in, EPDM	DICHTUNG, 1,25 in, EPDM JUNTA, 1,25 in, EPDM	DICHTING, 1,25 in, EPDM GUARNIZIONE, 1.25 IN, EPDM	0
0194	64980500	WATER PRESSURE SENSOR CAPTEUR DE PRESSION D'EAU	WASSERDRUCKSENSOR SENSOR DE PRESIÓN DE AGUA	WATERDRUKSENSOR SENSORE PRESSIONE ACQUA	0
0195	64980460	RETURN PIPE, CU, 28 mm TUYAU DE RETOUR, CU, 28 mm	RÜCKLAUFROHR, CU, 28 mm MANGUERA DE RETORNO, CU, 28 mm	RETOURLEIDING, CU, 28 mm TUBO RITORNO, CU, 28 mm	0
0196	64980465	GASKET, NEOPRENE, 1/8" X 2.57" X 3.1 JOINT, NÉOPRÈNE, 1/8 inX2,57 inX3,1	DICHTUNG, NEOPREN, 1/8 inX2,57 inX3,1 JUNTA, NEOPRENO, 1/8 inX 2,57 inX3,1	DICHTING, NEOPREEN, 1/8inX2,57inX3,1 GUARNIZ., NEOPRENE, 1/8inX2.57inX3.1	0
0197	6000084424	LOW WATER CUT OFF PRESSOSTAT BASSE PRESSION	NIEDERDRUCKSCHALTER PRESOSTATO DE BAJA	LAGEDRUKSCHAKELAAR PRESSOSTATO DI MINIMA	0
0198	64980506	THERMAL SWITCH, TOP PLATE INTERRUPT.THERM., PLAQUE SUPÉR.	THERMOSCHALTER, OBERPLATTE INTERRUPT.TÉRM., PLACA SUPER.	THERMISCHE SCHAKELAAR, BOVENPLAAT INTERRUT.TERMICO (PIASTRA BR.)	0
0199	64980507	GASKET, THERM.SWITCH TO TOP PLATE JOINT D'INTERRUPTEUR THERMIQUE	DICHTUNG, THERMISCHER SCHALTER JUNTA, INTERRUPTOR TÉRMICO	PAKKING, THERMISCHE SCHAKELAAR GUARN., INTER.TERM.(PIASTRA BR.)	0
0201	65118645	GAS VALVE VALVE GAZ	GASVENTIL VALVULA GAS	GASBLOK VALVOLA GAS	1
0202	64980119	FAN VENTILATEUR	LAUFRAD HELICE VENTILADOR	VENTILATOR VENTILATORE	1
	64980120	FAN VENTILATEUR	LAUFRAD HELICE VENTILADOR	VENTILATOR VENTILATORE	1
0210	60001923	GAS DIAPHRAGM D: 6.40 (LP) DIAPHRAGME GAZ D: 6.40	PLATTENVENTIL GAS D: 6.40 DIAFRAGMA GAS D: 6.40	DIAFRAGMA GAS D: 6.40 DIAFRAMMA GAS D: 6.40	1
	60001924	GAS DIAPHRAGM D: 6.90 (LP) DIAPHRAGME GAZ D: 6.90	PLATTENVENTIL GAS D: 6.90 DIAFRAGMA GAS D: 6.90	DIAFRAGMA GAS D: 6.90 DIAFRAMMA GAS D: 6.90	1
	65118713	GAS DIAPHRAGM D: 8.5 (NG) DIAPHRAGME GAZ D: 8,5	PLATTENVENTIL GAS D: 8,5 DIAFRAGMA GAS D: 8,5	DIAFRAGMA GAS D: 8,5 DIAFRAMMA GAS D: 8,5	1
0211	64980100	MIXER 085-110-110C LP FT MIXER 085-110-110C LP FT	MIXER 085-110-110C LP FT MIXER 085-110-110C LP FT	MIXER 085-110-110C LP FT MIXER 085-110-110C GLP FT	1
	64980102	MIXER 150-150C LP FT MIXER 150-150C LP FT	MIXER 150-150C LP FT MIXER 150-150C LP FT	MIXER 150-150C LP FT MIXER 150-150C GLP FT	1
	64980104	MIXER 199-199C LP FT MIXER 199-199C LP FT	MIXER 199-199C LP FT MIXER 199-199C LP FT	MIXER 199-199C LP FT MIXER 199-199C GPL FT	1
	64980124	MIXER, 085-110-110C NG FT MIXER, 085-110-110C NG FT	MIXER, 085-110-110C NG FT MIXER, 085-110-110C NG FT	MIXER, 085-110-110C NG FT MIXER, 085-110-110C NG FT	1
	64980125	MIXER, 150-150C NG FT MIXER, 150-150C NG FT	MIXER, 150-150C NG FT MIXER, 150-150C NG FT	MIXER, 150-150C NG FT MIXER, 150-150C NG FT	1
	64980126	MIXER, 199-199C NG FT MIXER, 199-199C NG FT	MIXER, 199-199C NG FT MIXER, 199-199C NG FT	MIXER, 199-199C NG FT MIXER, 199-199C NG FT	1
0213	64980127	SILENCER SILENCIEUX	SCHALLDÄMPFER SILENCIADOR	GELUIDDEMPER SILENZIATORE	1
0214	64980439	PIPE (GAS VALVE-MIXER) stainless TUYAU (VANNE GAZ-VENT.) acier inox.	ROHR (GASVENTIL-VENTURI) Edelstahl TUBO (VÁLV.DE GAS-MIXER) acero inox.	PIJP (GASKLEP-VENTURI) roestvrije staal TUBO GAS VALV.GAS-MIXER acciaio	1
	64980440	PIPE (GAS VALVE-MIXER) stainless TUYAU (VANNE GAZ-VENT.) acier inox.	ROHR (GASVENTIL-VENTURI) Edelstahl TUBO (VÁLV.DE GAS-MIXER) acero inox.	PIJP (GASKLEP-VENTURI) roestvrije staal TUBO GAS VALV.GAS-MIXER acciaio	1
	64980441	PIPE (GAS VALVE-MIXER) stainless TUYAU (VANNE GAZ-VENT.) acier inox.	ROHR (GASVENTIL-VENTURI) Edelstahl TUBO (VÁLV.DE GAS-MIXER) acero inox.	PIJP (GASKLEP-VENTURI) roestvrije staal TUBO GAS VALV.GAS-MIXER acciaio	1
0225	64980188	CONNECTION M 3/4 NPT - M 3/4 G RACCORD M 3/4 NPT - M 3/4 G	ANSCHLUSS M 3/4 NPT - M 3/4 G. CONEXIÓN M 3/4 NPT - M 3/4 G	AANSLUITING M 3/4 NPT - M 3/4 G RACCORDO M 3/4 NPT - M 3/4 G	1
0250	64980442	PIPE (GAS INLET) stainless TUYAU (ENTRÉE GAZ) acier inox.	ROHR (GASEINGANG) Edelstahl TUBO (ENTRADA DE GAS) acero inox.	PIJP (GASINLAAT) roestvrije staal TUBO INGRESSO GAS acciaio	1
0271	64980239	FAN GASKET JOINT VENTILATEUR	DICHTUNG, GEBLASE JUNTA VENTILADOR	DICHTING VENTILATOR GUARNIZIONE VENTILATORE	0
	64980240	FAN GASKET JOINT VENTILATEUR	DICHTUNG, GEBLASE JUNTA VENTILADOR	DICHTING VENTILATOR GUARNIZIONE VENTILATORE	0
0272	60001878	O-RING 165 NBR 70 Sh 61.91x3,53 JOINT TORIQUE 165 NBR 70 Sh 61.9	O-RING 165 NBR 70 Sh 61.91x3,53 O-RING 165 NBR 70 Sh 61.91x3,53	O-RING 165 NBR 70 Sh 61.91x3,53 O-RING 165 NBR 70 Sh 61.91x3,53	1
0282	64980284	GASKET 3/4 in th. 3 NBR TEFLON-YELLOW JOINT EAU-GAZ 3/4 in ép.3 NBR	DICHT./3/4 in Dicke 3 NBR TEFLON GELB JUNTA 3/4 in esp. 3 NBR	AFDICHTING 3/4 in dikte 3 NBR GUARNIZIONE 3/4 in NBR sp.3 TEFLON GIAL.	1
0283	64980523	BRACKET, GAS VALVE SUPPORT DE VANNE DE GAZ	GASVENTILHALTERUNG SORPTE DE VALVULA DE GAS	GASKLEP STEUN STAFFA VALVOLA GAS	0
0301	64980492	BACK/BOTTOM ARRIÈRE/BAS	RÜCKSEITE/UNTEN ATRÁS/INFERIOR	ACHER/BODEM PANNELLO INFER.POSTERIORE	0
	64980493	BACK/BOTTOM ARRIÈRE/BAS	RÜCKSEITE/UNTEN ATRÁS/INFERIOR	ACHER/BODEM PANNELLO INFER.POSTERIORE	0
0312	64980209	FLUE TEST PORT PLUG BOUCHON DE PRISE FUMEE	STOPFEN ABGAS-U.ZULUFTMESS.KUNST. TAPON TOMA HUMOS	STOP ROOKGASMEETNIPPELS TAPPO ANALISI FUMI + O-RING	1
0315	64980485	PANEL, LEFT SIDE PANNEAU LATÉRAL GAUCHE	LINKE SEITENWAND PANEL LATERAL IZQUIERDO	LINKER ZIJPANEEL PANNELLO LATERALE SX	0
	64980486	PANEL, LEFT SIDE PANNEAU LATÉRAL GAUCHE	LINKE SEITENWAND PANEL LATERAL IZQUIERDO	LINKER ZIJPANEEL PANNELLO LATERALE SX	0
0317	64980482	FRONT COVER PANNEAU AVANT	FRONTBLLENDE PANEL FRONTAL	VOORPANEEL PANNELLO FRONTALE	0

		EN		DE		NL		
		FR		ES		IT		
0318	64980483	PANEL, RIGHT SIDE PANNEAU CÔTÉ DROIT		RECHTE SEITENABDECKUNG PANEL LATERAL DERECHO		RECHTER ZIJPANEEL PANNELLO LATERALE DX		0
	64980484	PANEL, RIGHT SIDE PANNEAU CÔTÉ DROIT		RECHTE SEITENABDECKUNG PANEL LATERAL DERECHO		RECHTER ZIJPANEEL PANNELLO LATERALE DX		0
0320	64980489	HEAT EXCHANGER SUPP., BOTTOM/TOP SUPPORT D'ÉCHANG.DE CHAL., INF./HAUT		WÄRMETAUSCHERHALT., UNTEN/OBEN SOPORTE INTERC.DE CALOR, INF./SUP.		WARMTEWISSEL.STEUN, ONDER/BOVEN SUPPORTO SCAMB. SUP./INF.		0
	64980490	HEAT EXCHANG.SUPPORT, BOTTOM/TOP SUPPORT D'ÉCHANG.DE CHAL., INF./HAUT		WÄRMETAUSCHERHALTER, UNTEN/OBEN SOPORTE INTERC.DE CALOR, INF./SUP.		WARMTEWISSEL.STEUN, ONDER/BOVEN SUPPORTO SCAMB. SUP./INF.		0
	64980491	HEAT EXCHANG.SUPPORT, BOTTOM/TOP SUPPORT D'ÉCHANG.DE CHAL., INF./HAUT		WÄRMETAUSCHERHALTER, UNTEN/OBEN SOPORTE INTERC.DE CALOR, INF./SUP.		WARMTEWISSEL.STEUN, ONDER/BOVEN SUPPORTO SCAMB. SUP./INF.		0
0340	64980206	ADAPTOR (AIR INLET) ADAPTATEUR D'ENTRÉE D'AIR		ADAPTER, LUFT EINGAANG ADAPTADOR DE ENTRADA DE AIRE		LUCHTINLAAT ADAPTER ADATTATORE INGRESSO ARIA		1
0341	64980237	SEAL GASKET OUTLET 80 JOINT DE SORTIE 80		DICHTUNGSAusGANG 80 JUNTA DE SALIDA 80		PAKKING UITLAAT 80 GUARNIZIONE D80 USCITA FUMI		1
0342	64980207	GASKET D90 EPDM SH.A PEROX JOINT D90 EPDM SH.A PEROX		DICHTUNG D90 EPDM SH.A PEROX JUNTA D90 EPDM SH.A PEROX		DICHTING D90 EPDM SH.A PEROX GUARNIZIONE D90 EPDM SH.A PEROX		1
0343	64980208	FOAM FLUE GAS ADAPTOR MOUSSE ADAPTAT.E GAZ DE FUMÉE		DICHTUNG ABGASBOGEN ESPUMA DE ADAPTAD.DE GASES		SCHUIMKANAALADAPTER GUARNIZIONE COLLETTORE FUMI		1
0345	64980210	ADAPTOR (FLUE OUTLET) ADAPTATEUR, SORTIE DE FUMÉE		ADAPTER, RAUCH AUSGANG ADAPTADOR, SALIDA DE HUMO		ADAPTER, ROOKUITGANG ADATTATORE USCITA FUMI		1
0346	64980236	O-RING SEAL 2,7X8,9 EPDM PEROX 70 Sh. JOINT TORIQUE 2,7X8,9 EPDM		DICHTRING 2,7X8,9 EPDM PEROX 70 Sh. JUNTA TORICA 2,7X8,9 EPDM		DICHTINGSRING 2,7X8,9 EPDM ANELLO OR 2,7X8,9 EPDM		1
0347	64980537	DOOR LATCH KIT X 1 KIT DE LOQUET DE PORTE X 1		TÜRSCHLOSS-KIT X 1 KIT DE PESTILLO DE PUERTA X 1		DEURVERGRENDINGSSET X 1 KIT CHIUSURA MANTELLO X1		0
0349	64980505	HMI BEZEL HMI BEZEL		HMI BEZEL HMI BEZEL		HMI BEZEL DISPLAY BEZEL		0
0351	6000084423	RECEPTACLE, 120VAC PRISE, 120 VCA		STECKDOSE, 120VAC RECEPTÁCULO, 120 VCA		RECEPTANG, 120VAC RECEPTACLE, 120VAC		0
0352	64980498	AIR FILTER HOUSING KIT KIT DE BOÎTIER DE FILTRE À AIR		LUFTFILTERGEHÄUSE-KIT KIT DE CARCASA DE FILTRO DE AIRE		LUCHTFILTER BEHUIZING KIT KIT ALLOGGIAMENTO FILTRO ARIA		0
0353	6000084095	PLUG, 7/8" BLACK DOME PLUG, 7/8" BLACK DOME		STECKER, 7/8 in SCHWARZER DOM TAPÓN, CÚPULA NEGRA DE 7/8 in		BOUCHON, DÔME NOIR 7/8 in TAPPO, CUPOLA NERA 7/8 in		0
0354	64980497	AIR FILTER FILTRE À AIR		LUFTFILTER FILTRO DE AIRE		LUCHTFILTER FILTRO ARIA		0
0356	64980487	TOP PANEL PANNEAU DU HAUT		OBERSEITE PANEL SUPERIOR		BOVENSTE PANEEL TOP		0
	64980488	TOP PANEL PANNEAU DU HAUT		OBERSEITE PANEL SUPERIOR		BOVENSTE PANEEL TOP		0
0365	6000083970	SCREW, ¼-14 X 3/8" VIS, ¼-14 X 3/8 in		SCHRAUBE, ¼-14 X 3/8 in TORNILLO, ¼-14 X 3/8 in		SCHROEF, ¼-14 X 3/8 in VITE, ¼-14 X 3/8 in		0
0801	64980504	PLUG, CONTROL PANEL COVER BOUCHON, COUVER.DE PANN.DE COMM.		STECKER, BEDIENFELDDABDECKUNG TAPÓN, CUBIERTA DE PAN.DE CONTR.		PLUG, BEDIENINGSPANEEL AFDEKKING GOMMINO COPERCHIO PANN.CONTR.		0
0814	64980474	CONTR.PANEL (WITH HARN.AND PCBs) PANNEAU DE COMMANDE COMPLET		BEDIENFELD (KOMPLETT) PANEL DE CONTROL (COMPLETO)		BEDIENINGSPANEEL (COMPLEET) PANNELLO DI CONTR.COMPLETO		0
0815	64980472	MAIN PCB, ACP CONTROLLER ACP CIRCUIT IMPRIME PRINCIPAL ACP		ELEKTROHAUPTPLATINE ACP CIRCUITO PRINCIPAL ACP		PRINTKAART ACP SCHEDE PRINCIPALE ACP		1
0816	64980468	HMI, TOUCHSCREEN 7 in HMI, TOUCHSCREEN 7 in		HMI, TOUCHSCREEN 7 in HMI, TOUCHSCREEN 7 in		HMI, TOUCHSCREEN 7 in TOUCHSCREEN 7 in DISPLAY		0
0824	64980481	COVER, CONTROL PANEL COUVERCLE, PANNEAU DE COMM.		ABDECKUNG, BEDIENFELD CUBIERTA, PANEL DE CONTROL		DEKSEL, BEDIENINGSPANEEL COPERCHIO PANNELLO DI CONTR.		0
0877	64980536	BARRIER, HIGH VOLT FIELD CONNECTION BORNIER HAUTE TENSION		HOCHSPANNUNGSKLEMMENBLOCK BLOQUE DE TERMIN.DE ALTA TENS.		HOOGSPANNING AANSLUITBLOK MORSETTIERA ALTA TENSIONE		1
0880	64980508	WIRING, WPS, APS, TEMP/SW CÂBLAGE, WPS, APS, TEMP/SW		VERKABELUNG, WPS, APS, TEMP CABLEADO, WPS, APS, TEMP/SW		BEDRADING, WPS, APS, TEMP/S CABLAGGIO, WPS, APS, TEMP/S		1
	64980509	WIRING, EBUS, FIELD SENSORS CABLE EBUS, CAPTEURS CHAMP		KABEL, EBUS, FELDSENSOREN CABLE, EBUS, SENSORES CAMPO		BEDRADING, EBUS, VELDSENSOR CAVI, EBUS, SENSORI AMB.		1
	64980510	WIRING, DHW PUMP CÂBLE DE POMPE À EAU SANIT.		SANITÄRWASSERPUMPENKABEL CABLE BOMBA AGUA SANITARIA		SANITAIRE WATERPOMPKABEL CAVO POMPA ACQUA SANITARIA		1
	64980511	WIRING, AUX1 PUMP CÂBLAGE, POMPE AUX1		VERKABELUNG, AUX1-PUMPE CABLEADO, BOMBA AUX1		BEDRADING, AUX1 POMP CABLAGGIO, POMPA AUX1		1
	64980512	WIRING, AUX2 PUMP CÂBLAGE, POMPE AUX2		VERKABELUNG, AUX2-PUMPE CABLEADO, BOMBA AUX2		BEDRADING, AUX2 POMP CABLAGGIO, POMPA AUX2		1
	64980513	WIRING, BLWR/VAR PUMP CTRL CÂBLAGE, COMM.DE POMPE VAR		VERKABELUNG, VAR PUMP CTRL CABLEADO, CONTROL BOMBA VAR		BEDRADING, VAR POMP CTRL CABLAGGIO, CTRL POMPA VAR		1
	64980514	WIRING, GAS, IGNITER, LWCO CÂBLE GAZ, ALLUMEUR, LWCO		KABEL GAS, ZÜNDER, LWCO CABLE, GAS, ENCEND., LWCO		KABEL, GAS, ONTSTEKER, LWCO CABLAGGIO, GAS, ACCEND.,LWCO		1
	64980515	WIRING, FLAME SENSOR CÂBLAGE, CAPTEUR DE FLAMME		VERKABELUNG, FLAMMENSSENSOR CABLEADO, SENSOR DE LLAMA		BEDRADING, VLAM SENSOR CABLAGGIO, TFTN085-199, SENSORE FIAMMA		1
	64980516	WIRING, WI-FI CÂBLAGE, WI-FI		VERKABELUNG, WI-FI CABLEADO, WI-FI		BEDRADING, WI-FI CAVO ALIMENTAZIONE CALDAIA		1
	64980517	WIRING, GND CÂBLAGE, MISE À LA TERRE		VERKABELUNG, MASSE CABLEADO, TIERRA		BEDRADING, AARD CABLAGGIO, TERRA		1

		EN		DE		NL		
		FR		ES		IT		
	64980518	WIRING, TFTN085-199, HMI CÂBLAGE, TFTN085-199, IHM		KABEL (KESSEL-STROMVERSORGUNG) CABLE DE ALIMENTAC.DE LA CALD.		KABEL (STROOMVOORZIENING) CABLAGGIO, TFTN085-199, HMI		1
	64980519	WIRING, TFTN085-199, POWER SUPPLY CÂBLE COMM.VENT./VAR.POMPE		KABEL, TFTN085-199, LÜFTER/VAR.PUMPE CABLE, VENT./CTRL.BOMBA VAR		KABEL, VENT./VAR.POMP CTRL CAVO CONTR.VENTILAT./POMPA VAR.		1
	64980520	WIRING, AUX2 PUMP/TRANSFOR. CABLE, ALIM.TRANSF.POMPE AUX.		KABEL, ZUSATZPUMPENTRANSF.VERSORG. CABLE, TRANSF.BOMBA AUX.		KABEL, AUX POMP TRANSF.VOED CAVI SCHEDA-TRASFORM.-POMPA AUX2		1
	64980521	WIRING, TFTN085-199, ZONE SUPPLY CÂBLAGE, ALIMENTAT.DE ZONE		KABEL, TFTN085-199, ZONENVERSORG. CABLE DE ALIMENTAC.DE LA CALD.		BEDRADING, ZONE VOEDING CABLAGGIO ALIMENT.ZONE		1
	64980522	WIRING, ZONE OUTPUTS CÂBLAGE, SORTIES DE ZONE		VERKABELUNG, ZONE-AUSGÄNGE CABLEADO, SALIDAS DE ZONA		BEDRADING, ZONE-UITGANGEN CAVO ALIMENTAZIONE CALDAIA		1
	64980534	WIRING, GAS VALVE CÂBLAGE, SOUPEPE À GAZ		VERKABELUNG, GASVENTIL CABLEADO, VALVULA DE GAS		BEDRADING, GASKLEP CABLAGGIO VALVOLA GAS		0
0881	65111933	CONNECTOR 2P CONNECTEUR 2 POLES		STECKER 2 POL. RAST 5 CONECTOR 2P		STEKKER 2-POLIG CONNETTORE 2 POLI		5
0882	64980476	FUSE, 2A, 32V, PLUG STYLE FUSIBLE, 2A, 32V, TYPE FICHE		SICHERUNG, 2 A, 32 V, STECKERART FUSIBLE, 2A, 32V, TIPO ENCHUFE		ZEKERING, 2A, 32V, STEKKER STIJL FUSIBILE, 2A, 32V, PLUG STYLE		0
	64980478	FUSE, 5A, ZONE PUMPS FUSIBLE, 5A, POMPES DE ZONE		SICHERUNG, 5A, ZONENPUMPEN FUSIBLE, 5A, BOMBAS DE ZONA		ZEKERING, 5A, ZONEPOMPEN FUSIBILEE, 5A, POMPE DI ZONA		0
	64980479	FUSE, 10A, MAIN PCB, ACP FUSIBLE, 10A, CARTE PRINCIPALE, ACP		SICHERUNG, 10A, HAUPTPLATINE, ACP FUSIBLE, 10A, PCB PRINCIPAL, ACP		ZEKERING, 10A, HOOFDPGB, ACP FUSIBILE, 10A, SCHEDA PRINCIPALE		0
	64980480	FUSE, 2A, ZONE CONTROLLER, C3Z FUSIBLE, 2A, CONTRÔL.DE ZONE, C3Z		SICHERUNG, 2A, ZONE CONTROL., C3Z FUSIBLE, 2A, CONTROL.DE ZONA, C3Z		ZEKERING, 2A, ZONE-CONTROLLER, C3Z FUSIBILE, 2A, SCHEDA GEST.ZONE, C3Z		0
0887	64980471	TRANSFORMER 24V, 40VA TRANSFORMATEUR 24V, 40VA		TRANSFORMATOR 24V, 40VA TRANSFORMADOR 24V, 40VA		TRANSFORMATOR 24V, 40VA TRASFORMATORE 24V, 40VA		1
0888	64980475	PCB, LOW VOLTAGE CONNECTION PCB, BORNE BASSE TENSION		LEITERPLAT., NIEDERSPANNUNGSANSCHL. PCB, BORNE BASSE TENSION		PCB, LAGE VOLTAGE-AANSLUITING SCHEDA CONNESS.BASSO VOLTAG.		0
0889	64980499	PCB, 3-ZONE CONTROLLER CCI, CONTRÔLEUR 3 ZONES		PCB, 3-ZONEN-REGLER PCB, CONTROLADOR DE 3 ZONAS		PCB, 3-ZONE-CONTROLLER SCHEDA GESTIONE 3 ZONE		1
0890	64980477	FUSES HOLDER PORTE FUSIBLE		SICHERUNGSHALTER PORTAFUSIBLE		ZEKERINGHOUDER PORTAFUSIBILE		1
0891	64980526	WIRING GROMMET (45 mm) GUIDE-CABLE EN GOMME 45 mm		GUMMI-KABELFÜHRUNG, 45 mm GOMA GUIA CABLE 45 mm		KABELGELEIDING RUBBER 45 mm GOMMINO PASSACAVI 45 mm		1
0892	64980524	COVER, HIGH VOLTAGE BARRIER COUVERCLE DE BORN.HAUTE TENS.		ABDECKUNG FÜR HOCHSPANNUNGSKLEMML. CUBIER.BLOQUE DE TERMIN.ALTA TENS.		HOOGSPANNING KLEMMENBLOKDEKSEL COPERCHIO MORSET.ALTA TENSIONE		1
0893	64980525	BRACKET, FUSE HOLDER SUPPORT, PORTE FUSIBLE		HALTER, SICHERUNGSHALTER SOPORTE, PORTAFUSIBLE		SUPPORT, PORTE FUSIBLE STAFFA PORTAFUSIBILI		1
0894	65111934-01	CONNECTOR 3P (x5) CONNECTEUR 3 POLES (x5)		STECKER 3-POLIG (x5) CONECTOR 3P (x5)		STEKKER 3-POLIG (x5) CONNETTORE 3 POLI (x5)		1
0895	64980535	SWITCH, ON-OFF BOUTON ON / OFF		EIN / AUS SCHALTER INTERRUPTOR ENCEND./APAGADO		AAN / UIT KNOP INTERRUPTORE ON-OFF		0
0896	64980473	COVER, FIELD WIRING COUVERCLE DE LA PARTIE CÂBLAGE		ABDECKUNG DES VERKABELUNGSTEILS CUBIERTA DE LA PARTE DE CABL.		DEKSEL VAN HET BEDRADINGSONDERD. COPERCHIO PARTE CABLAGGI		0
0897	64980527	SPARE FUSE KIT (2 EACH) SPARE FUSE KIT (2 EACH)		SPARE FUSE KIT (2 EACH) SPARE FUSE KIT (2 EACH)		SPARE FUSE KIT (2 EACH) KIT FUSIBILI RICAMBIO (2 CIASCUNO)		0
0898	64980503	GASKET, HMI TO FRONT COVER JOINT, IHM A COUVERCLE AVANT		DICHTUNG, HMI AN FRONTABDECKUNG EMPAQUE, HMI A CUBIERTA DELANT.		PAKKING, HMI NAAR VOORKAP GUARNIZIONE HMI		0
5001	64980528	LP CONVERSION KIT, TFTN085-110 LP CONVERSION KIT, TFTN085-110		LP CONVERSION KIT, TFTN085-110 LP CONVERSION KIT, TFTN085-110		LP CONVERSION KIT, TFTN085-110 TRASFORMAZIONE GAS GPL,		0
	64980529	LP CONVERSION KIT, TFTN150 KIT DE TRANSFORMATION BP		FLUSSIGGAS-UMSTELLSET G31 KIT TRANSFORMACION GLP G31		OMBOUWSET G31, TFTN150 TRASFORMAZIONE GAS GPL, TFTN150		0
	64980530	LP CONVERSION KIT, TFTN199 KIT DE TRANSFORMATION BP		FLUSSIGGAS-UMSTELLSET, TFTN199 KIT TRANSFORMACION GLP, TFTN199		OMBOUWSET G31, TFTN199 TRASFORMAZIONE GAS GPL TFTN199		0
5002	64980218	OUTDOOR SENSOR SONDE EXTERIEURE FILAIRE		AUSSENFUEHLER SONDA EXTERNA CON CABLES		BUITENVOELER SONDA ESTERNA CON CAVI		1
5003	65118683	PRESSURE RELIEF VALVE SOUPEPE DE SECURITE		SICHERHEITSVENTIL VALVULA DE SEGURIDAD		VEILIGHEIDSGROEP VALVOLA DI SICUREZZA		1
5005	64980094	CPVC PIPE 3 in, SYSTEM 636, 5 in LONG TUYAU CPVC 3 in, SYST.636, 5in LONG		CPVC-ROHR 3 IN, SYSTEM 636, 5 IN LANG TUBO CPVC DE 3in, SIST.636, 5in LAR		CPVC-BUIS 3 in, SYSTEEM 636, 5 in LANG TRONCHETTO CPVC 3 in L=5 in		0
5010	65118685	PRESSURE/TEMPERATURE GAUGE MANOMETRE / THERMOMETRE		THERMOHYDROMETER TERMOMANOMETRO		MANOMETER - THERMOMETER TERMIDROMETRO		1
5022	64980531	INSTALLATION KIT BOX, TFTN085-110 KIT D'INSTALLATION, TFTN085-110		INSTALLATIONSKIT-BOX, TFTN085-110 JUEGO DE INSTAL., TFTN085-110		INSTALLATIEKIT, TFTN085-110 KIT INSTALLAZIONE, TFTN085-110		0
	64980532	INSTALLATION KIT BOX, TFTN150 KIT D'INSTALLATION, TFTN150		INSTALLATIONSSATZ, TFTN150 UEGO DE INSTALACIÓN, TFTN150		INSTALLATIEKIT, TFTN150 KIT INSTALLAZIONE, TFTN150		0
	64980533	INSTALLATION KIT BOX, TFTN199 KIT D'INSTALLATION, TFTN199		INSTALLATIONSSATZ, TFTN199 JUEGO DE INSTALACIÓN, TFTN199		INSTALLATIEKIT, TFTN199 KIT INSTALLAZIONE, TFTN199		0
5023	64980211	ROUND MESH.VENT SCREEN (2.25 in) MAILLE RONDE, ÉCRAN D'ÉV.(2,25 in)		RUNDES MESH, ENTLÜFT.SBILDSCH.(2,25 in) MALLA REDON., PANT.DE VENT.(2,25 in)		RONDE MESH, VENT-SCHERM (2,25 in) PROTEZIONE SCARICO FUMI (2,25 in)		0
5025	64980212	ROUND MESH, VENT SCREEN (3.375 in) MAILLE RONDE, ÉCRAN D'ÉV.(3,375 in)		RUNDES MESH, ENTLÜFT.SBILDSCH.(3,375 in) MALLA RED., PANT.DE VENT.(3,375 in)		RONDE MESH, VENT-SCHERM (3,375 in) PROTEZIONE SCARICO FUMI (3,375 in)		0
5026	64980467	WALL MOUNT BRACKET BOTTOM INFÉR.DU SUPPORT MONT.MURAL		WANDHALTERUNG UNTEN SOPORTE DE MONT.EN PARED INF.		MUURBEUGEL BODEM STAFFA FISSAGGIO A MURO INF.		0

		EN	DE	NL	
		FR	ES	IT	
5027	64980464	WALL MOUNT BRACKET (UPPER) SUPPORT DE MONT.MURAL (SUPÉR.)	WANDHALTERUNG (OBEN) SOPORTE DE MONT.EN PARED (SUP.)	MUURBEUGEL (BOVENSTE) STAFFA FISSAGGIO A MURO SUP.	0
5028	64980213	WALL MOUNT HARDWARE LEG BOLT BOULON DE JAMBE DE MATÉR.MONT.MURAL	BEINSCHRAUBE FÜR WANDHALTERUNG PERNO DE PIERNA MONT.EN PARED	WANDMONTAGE HARDWARE BEENBOUT KIT (MONTAGGIO-BULLONI)	0
5029	64980214	WALL MOUNT HARDWARE PLASTIC PLUG BOUCHON PLAST.MATÉRIEL MURAL	WALL MOUNT HARDWARE PLASTIC PLUG ENCHUFE PLÁST.DE MONT.EN PARED	WANDMONT.HARDWARE PLASTIC PLUG KIT (FISCHER)	0
5030	64980215	WALL MOUNT HARDWARE WASHER KIT (RONDELLES GALVANISÉES)	KIT (VERZINKTE WHASHER) KIT (ARANDELA GALVANIZADA)	KIT (WASHER zink) KIT (RONDELLE ZINCATE)	0
5033	64980539	ELBOW, BRASS, STREET 90, 3/4 in COUDE, LAITON, RUE 90, 3/4 in	WINKEL, MESSING, STREET 90, 3/4 Zoll CODO, LATÓN, CALLE 90, 3/4 in	ELLEBOOG, MESSING, STRAAT 90, 3/4 in GOMITO OTTONE 90° 3/4 in	0
5034	64980538	WALL MOUNTING HARDWARE KIT KIT DE MATÉRIEL DE MONT.MURAL	WANDMONTAGE-HARDWARE-KIT JUEGO DE TORNILL.MONT.EN PARED	MUURMONTAGE HARDWARE KIT KIT FISSAGGIO A MURO	0
5035	64980459	AUTO AIR VENT, 1/2" NPT SOUPE DE VENTILATION 1/2 in NPT	ENTLÜFTUNGSVENTIL 1/2 in NPT VÁL.V. VENTIL.DE AIRE AUTOM.1/2in NPT	VENTILATORKLEP 1/2 in NPT VALVOLA SFIATO ARIA 1/2 in NPT	0
5036	64980495	BRASS BUSHING, 1-1/4 IN X 3/4 IN DOUILLE EN LAITON, 1-1/4 inX3/4 in	MESSINGBUCHSE, 1-1/4 inX3/4 in BUJE DE LATÓN, 1-1/4 inX3/4 in	MESSING BUS, 1-1/4 inX3/4 in BOCCOLA OTTONE, 1-1/4 inX3/4 in	0
5037	64980496	BRASS TEE, 1-1/4 IN X 1/2 IN X 1-1/4 IN TÉ EN LAITON, 1-1/4inX1/2inX1-1/4in	MESSING-T-STÜCK, 1-1/4inX1/2inX1-1/4in T DE LATÓN, 1-1/4 in X 1/2 in X 1-1/4 in	MESSING T-STUK, 1-1/4" X 1/2" X 1-1/4" RACC.T OTT,1-1/4 INX1/2 INX1-1/4 IN	0

IDENTIFICATION PLATE

SERIAL NUMBER

16 Characters :

21 03 31 20 XX 153101

Fixed reference Month of manufacture Day of manufacture Sequential number Year of manufacture

```
graph TD
    S[21 03 31 20 XX 153101]
    S --- F[Fixed reference]
    S --- M[Month of manufacture]
    S --- D[Day of manufacture]
    S --- Y[Year of manufacture]
    S --- S[Sequential number]
    S --- SN[Sequential number]
```