



235 COMMERCE DRIVE
 MT VERNON, OH 43050
 800-253-8236

SPECIFICATION DATA SHEET

DATE: 6-20-13
 PREPARED BY: RL

MODEL NO. 070 COLD AIR BOOT - TOP LOAD

STANDARD MODEL

DIMENSIONS

SIZE = A x B - C x D

PLENUM SIDE				DUCT SIDE				FILTER SIZE			
A	x	B		C	x	D	E	F	G	H	I
14"	x	20"		20"	x	10"	6"	6"	15"	21"	14X20X1
14"	x	25"		25"	x	10"	6"	6"	15"	26"	14X25X1
14"	x	25"		25"	x	12"	6"	6"	15"	26"	14X25X1
16"	x	20"		20"	x	8"	6"	6"	17"	21"	16X20X1
16"	x	20"		20"	x	10"	6"	6"	17"	21"	16X20X1
16"	x	24"		24"	x	8"	6"	6"	17"	25"	16X24X1
16"	x	24"		24"	x	10"	6"	6"	17"	25"	16X24X1
16"	x	25"		25"	x	8"	6"	6"	17"	26"	16X25X1
16"	x	25"		25"	x	10"	6"	6"	17"	26"	16X25X1

MATERIAL SPECIFICATIONS

HOT DIPPED GALVANIZED STEEL.
 PER ASTM A 653 CSB.

26 GAUGE CONSTRUCTION.

PITTSBURG LOCK ASSEMBLY

S-CLEATS ARE STANDARD GAUGE

COVER IS 26 GAUGE

OPTIONS

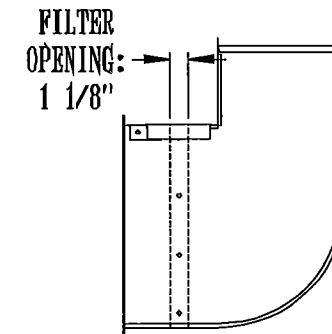
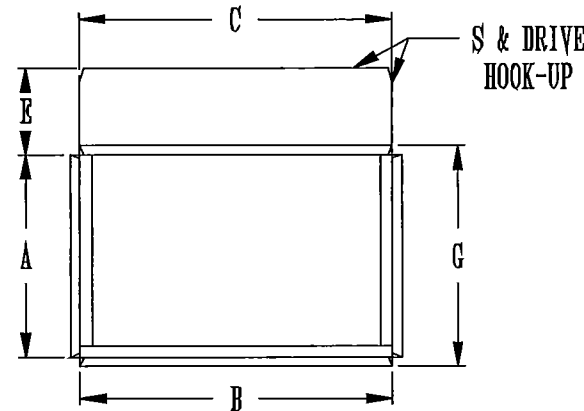
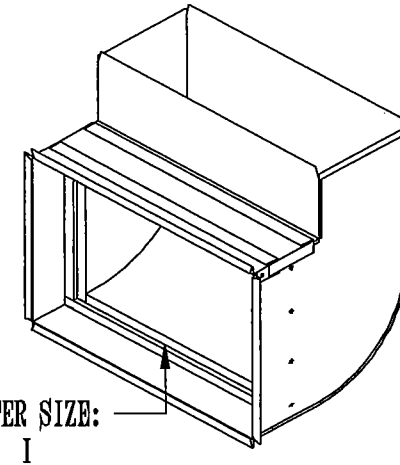
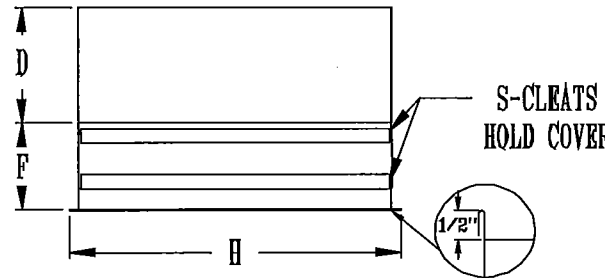
AVAILABLE WITH A 3/4" FLANGE ON PLENUM SIDE

AVAILABLE WITH 3/4" FLANGE ON SIDE PLENUM & NO 1/2" FLANGE
 ON DUCT SIDE

AVAILABLE WITH 1" FLANGE ON PLENUM SIDE

AVAILABLE WITH TABS ON PLENUM SIDE

AVAILABLE WITH TABS ON PLENUM SIDE & WITH 1" & 5" COMBO
 FILTER RACK



JOB: _____
 LOCATION: _____
 CONTRACTOR: _____
 ENGINEER: _____
 NOTES: _____