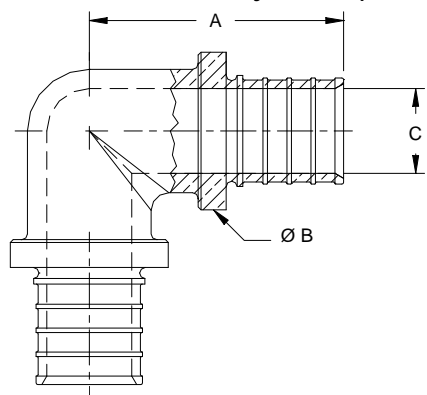


PRODUCT SUBMITTAL 330

Product: F2080 90° Elbow

Date: 01 January 2017 (supersedes 25 August 2009)



Article No.	Nominal Size in	A in (mm)	B in (mm)	C in (mm)
260657-101	1/2 x 1/2	1.546 (39.2)	0.856 (21.7)	0.398 (10.1)
260677-101	3/4 x 3/4	1.789 (45.4)	1.112 (28.2)	0.598 (15.2)
260717-101	1 x 1	2.275 (57.7)	1.388 (35.2)	0.772 (19.6)
235597-101	1 1/4 x 1 1/4	2.597 (66.0)	1.700 (43.2)	0.923 (23.4)
235797-101	1 1/2 x 1 1/2	2.903 (73.7)	1.929 (49.0)	1.136 (28.8)
235997-101	2 x 2	3.449 (87.6)	2.500 (63.5)	1.496 (38.0)

TECHNICAL DESCRIPTION

Specification	ASTM F2080 / F877
Material	Brass
Certifications	ASTM F877 / F2080 / CSA B137.5 / ICC-ES PMG-1379 / NSF-rfh

FUNCTIONAL DESCRIPTION

F2080 compression-sleeve fittings are intended for heating, snow and ice melting and hydronic distribution, when used with RAUPEX[®] PEXa pipes. F2080 compression-sleeve joints create reliable connections that can be walled in or embedded directly in a thermal mass when wrapped in waterproof, rubber tape or RAUCROSS[™] heat shrink tubing for corrosion protection. Check local codes for compliance.

Installation is performed with REHAU F2080 compression-sleeve tools. Follow all published installation instructions.

For updates to this publication, visit na.rehau.com/resourcecenter

The information contained herein is believed to be reliable, but no representations, guarantees or warranties of any kind are made as to its accuracy, suitability for particular applications or the results to be obtained therefrom. Before using, the user will determine suitability of the information for user's intended use and shall assume all risk and liability in connection therewith.

© 2017 REHAU