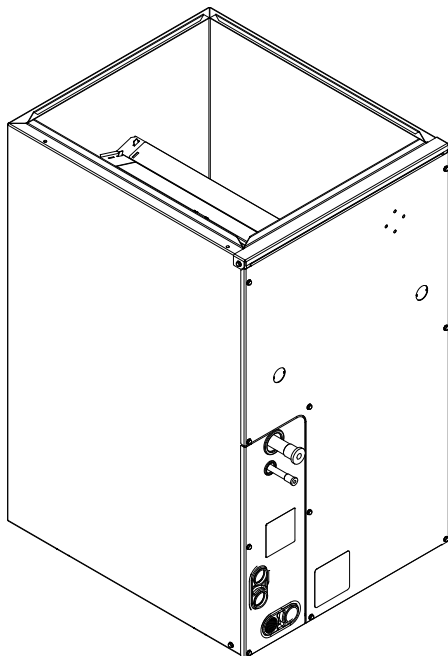


**CAPMP**  
**Evaporator Coil**  
**A Coil, Cased, Multipoise**



## Product Data



**Fig. 1 – CAPMP**

A06009

The CAPMP evaporator coil incorporates proven standards for reliable system operation and performance throughout the life of this quality Air Conditioner or Heat Pump system. These quality evaporator coils, manufactured and installed as part of a total comfort system, provide AHRI-rated performance ratings and are additionally listed with UL and c-UL.

This coil is available for use with R-410A Puron® Refrigerant only. It is a cased A-coil that is housed in a durable, 24-gauge, pre-painted taupe metallic cabinet. The fully insulated cabinet (foil faced with R-2.1 insulation properties) provides for quiet efficient operation of the evaporator coil. This multipoise coil offers the most in installation application flexibility; one coil for a variety of applications with fewer SKUs to stock.

### DESIGN FEATURES

#### Performance

Designed with performance in mind, this new A-coil offers low pressure drops to enhance system performance and airflow characteristics.

#### Thermostatic Expansion Valves (TXV)

All coils have refrigerant-specific, factory-installed TXVs.

#### Durable Condensate Pans (2)

The corrosion-resistant drain pans, one for vertical applications and one for horizontal, are designed in a “fiberglass reinforced thermoset polyester” material (FRTP) that offers unsurpassed pan strength. It is engineered with proper slope in both pans to help ensure water drainage, improved moisture removal, and home comfort.

#### Refrigerant Connections

Provided with industry proven sweat connections for leak-free operation to maintain system reliability. The side mounting tubing to the coil slabs allows for easy cleaning/servicing of the coils, as well as easy access to the TXV.

#### Burst Pressure

Meets or exceeds burst pressure of 2100 psi, which is at least three to five times the pressure it would see in actual application.

#### UV Knockouts

This cased coil comes with factory-installed UV knockouts for quick and easy installation of UV lights.

#### Serviceability

Comes with a “split delta plate” for easy, quick access to the coil for service and cleaning. Also, after the door is removed, the coil is removable from the front of the unit without use of any tools.

# MODEL NUMBER NOMENCLATURE

	1	2	3	4	5	6	7	8	9	10	11	12
	C	A	P	M	P	3	6	1	7	A	L	A
Product C = Coil											Variations A = Basic	
Type A = A Coil											Tubing Design L = Aluminum	
Refrigerant Type P = Puron® Refrigerant (R-410A) TXV											Revision Level A = 1st	
Coil Configuration M = Multipoise											Cabinet Width 14 = 14-in (356 mm) 17 = 17-in (432 mm) 21 = 21-in (536 mm) 24 = 24-in (610 mm)	
Cabinet Finish P = Painted											Unit Capacity 19 = 1 1/2 Ton 24 = 2 Ton 25 = 2 Ton 30 = 2-1/2 Ton 36 = 3 Ton 37 = 3 Ton 42 = 3-1/2 Ton 43 = 3-1/2 Ton 48 = 4 Ton 60 = 5 Ton 61 = 5 Ton	



Use of the AHRI Certified TM Mark indicates a manufacturer's participation in the program. For verification of certification for individual products, go to [www.ahridirectory.org](http://www.ahridirectory.org).



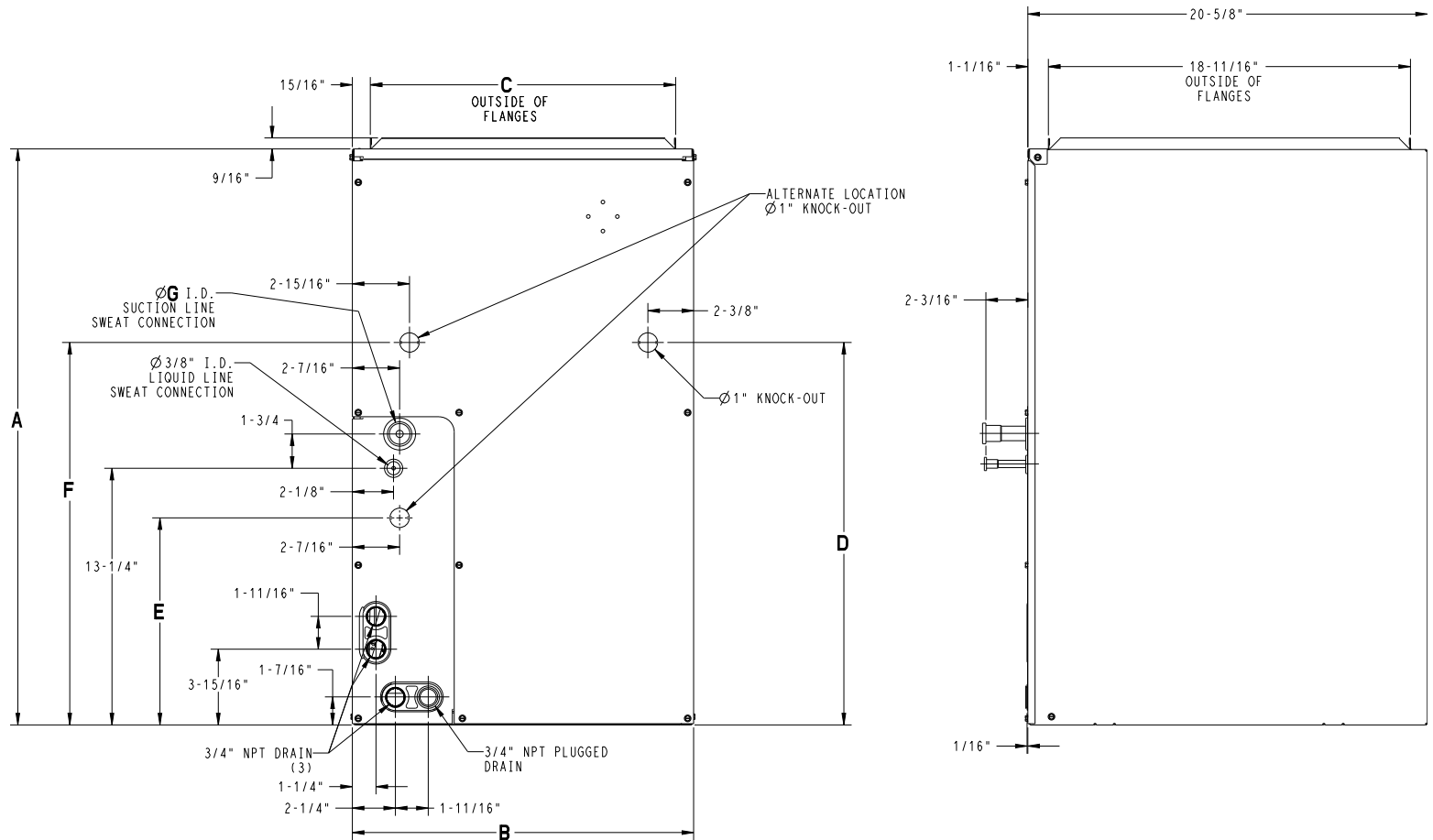
A221610

### DIMENSIONS (1 of 2)

UNIT	SERIES	A	B	C	D	E	F	G	SHIPPING WT (LBS)
CAPMP1814ALA	A	25 13/16"	14 3/16"	12 7/16"	17 3/16"	10 11/16"	—	5/8"	50.5
CAPMP2414ALA	A	25 13/16"	14 3/16"	12 7/16"	17 3/16"	10 11/16"	—	5/8"	52.5
CAPMP2417ALA	A	25 13/16"	17 1/2"	15 3/4"	10 11/16"	10 11/16"	—	5/8"	56.6
CAPMP3014ALA	A	25 13/16"	14 3/16"	12 7/16"	17 3/16"	—	19 3/4"	3/4"	58.0
CAPMP3017ALA	A	25 13/16"	17 1/2"	15 3/4"	17 3/16"	—	19 3/4"	3/4"	64.5
CAPMP3617ALA	A	29 3/4"	17 1/2"	15 3/4"	19 3/4"	—	19 3/4"	3/4"	71.0
CAPMP4221ALA	A	29 3/4"	21"	19 1/4"	19 3/4"	—	19 3/4"	7/8"	78.0
CAPMP4821ALA	A	29 3/4"	21"	19 1/4"	19 3/4"	—	19 3/4"	7/8"	84.0
CAPMP6021ALA	A	35"	21"	19 1/4"	19 3/4"	—	19 3/4"	7/8"	96.0
CAPMP6121ALA	A	35"	21"	19 1/4"	19 3/4"	—	19 3/4"	7/8"	98.0
CAPMP6024ALA	A	35"	24 1/2"	22 3/4"	19 3/4"	—	19 3/4"	7/8"	101.0

NOTES:

- SERIES DESIGNATION IS THE 14th POSITION OF THE UNIT MODEL NUMBER.
- ALL DIMENSIONS ARE IN "INCHES" UNLESS NOTED.



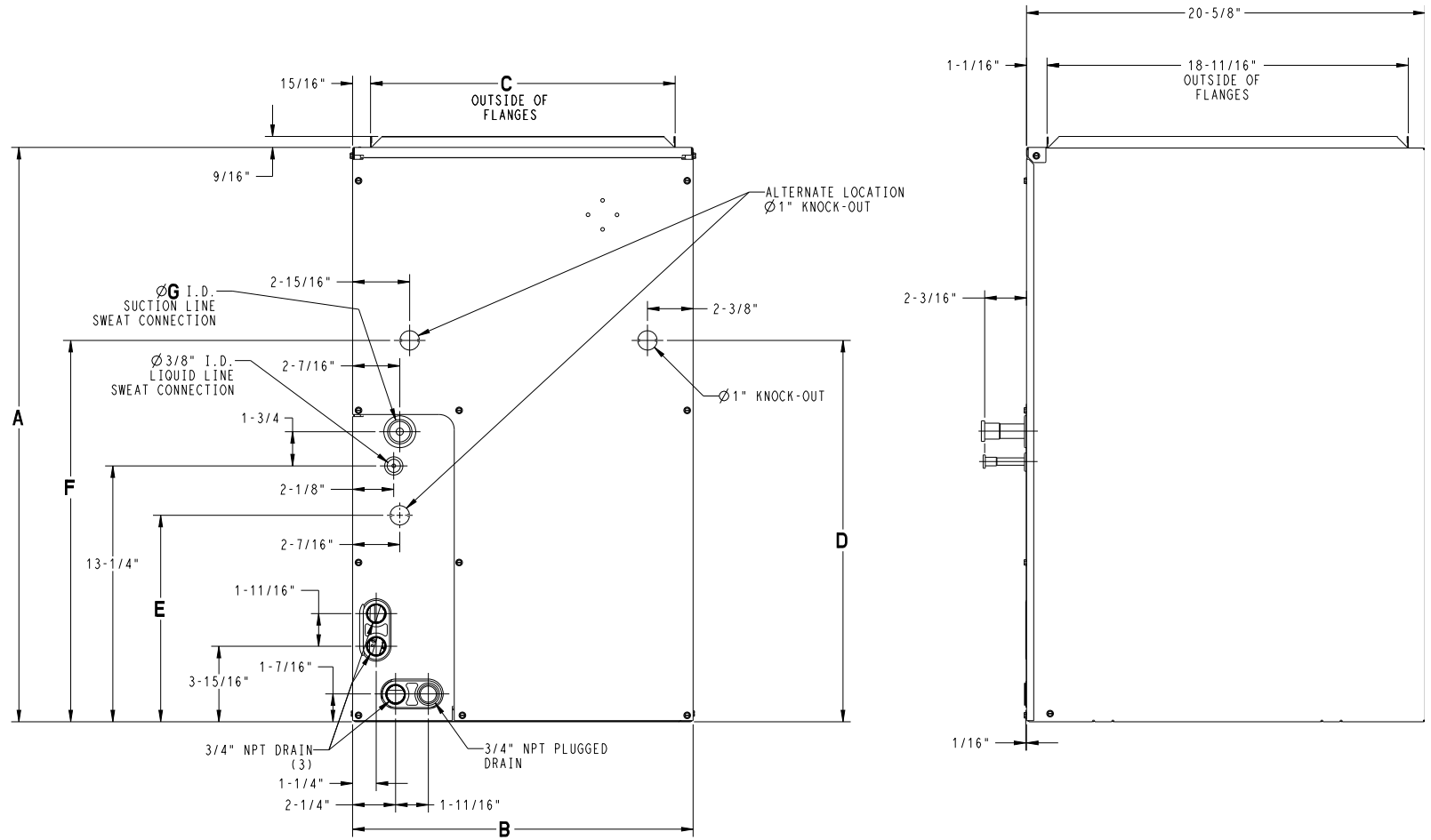
Manufacturer reserves the right to change, at any time, specifications and designs without notice and without obligations.

**DIMENSIONS (2 of 2)**

UNIT	SERIES	A	B	C	D	E	F	G	SHIPPING WT (LBS)
CAPMP1917ALAAAA	1	25 13/16"	17 1/2"	15 3/4"	17 3/16"	—	19 3/4"	3/4"	64.5
CAPMP2517ALAAAA	1	29 3/4"	17 1/2"	15 3/4"	19 3/4"	—	19 3/4"	3/4"	71.0
CAPMP3717ALAAAA	1	25 13/16"	17 1/2"	15 3/4"	17 3/16"	—	19 3/4"	3/4"	64.5
CAPMP3721ALAAAA	1	29 3/4"	21"	19 1/4"	19 3/4"	—	19 3/4"	7/8"	84.0
CAPMP4321ALAAAA	1	29 3/4"	21"	19 1/4"	19 3/4"	—	19 3/4"	7/8"	84.0
CAPMP6124ALAAAA	1	35"	24 1/2"	22 3/4"	19 3/4"	—	19 3/4"	7/8"	101.0

NOTES:

- SERIES DESIGNATION IS THE 14th POSITION OF THE UNIT MODEL NUMBER.
- ALL DIMENSIONS ARE IN "INCHES" UNLESS NOTED.



Manufacturer reserves the right to change, at any time, specifications and designs without notice and without obligations.

**PERFORMANCE DATA****Table 1 – COOLING CAPACITIES (MBH) - R-410A PURON® REFRIGERANT**

Unit Size	Indoor Coil Air		Saturated Temperature Leaving Evaporator °F (°C)														
			30 (-1)			35 (2)			40 (4)			45 (7)			50 (10)		
	CFM	EWB	TC	SHC	BF	TC	SHC	BF	TC	SHC	BF	TC	SHC	BF	TC	SHC	BF
<b>1814</b>	450	72 (22)	32.00	15.70	0.00	29.30	14.30	0.00	26.40	12.80	0.00	23.10	11.30	0.00	19.50	9.70	0.01
		67 (19)	26.80	16.10	0.01	24.10	14.60	0.01	21.10	13.10	0.01	17.80	11.50	0.02	14.20	9.90	0.02
		62 (17)	22.10	16.50	0.02	19.30	14.90	0.02	16.40	13.40	0.02	13.20	11.80	0.02	10.30	10.30	0.05
	600	72 (22)	39.20	19.10	0.00	36.00	17.40	0.00	32.30	15.70	0.00	28.30	13.90	0.02	23.80	12.00	0.02
		67 (19)	32.90	19.90	0.03	29.60	18.20	0.03	25.90	16.30	0.03	21.90	14.40	0.03	17.40	12.50	0.03
		62 (17)	27.20	20.60	0.04	23.80	18.80	0.04	20.20	16.90	0.04	16.30	15.00	0.04	13.20	13.20	0.09
	750	72 (22)	45.10	21.90	0.00	41.40	20.10	0.00	37.20	18.20	0.02	32.60	16.10	0.04	27.40	14.00	0.04
		67 (19)	38.00	23.20	0.05	34.20	21.20	0.05	29.90	19.10	0.05	25.20	17.00	0.05	20.00	14.70	0.06
		62 (17)	31.50	24.20	0.06	27.60	22.10	0.06	23.40	20.00	0.06	19.10	17.90	0.06	15.70	15.70	0.13
<b>1917</b>	450	72 (22)	33.57	18.66	0.00	31.02	17.08	0.00	28.19	15.44	0.00	25.03	13.74	0.00	21.50	11.99	0.00
		67 (19)	28.12	18.76	0.00	25.51	17.13	0.00	22.63	15.44	0.00	19.41	13.70	0.00	15.70	11.85	0.00
		62 (17)	23.21	18.82	0.00	20.55	17.14	0.00	17.55	15.38	0.00	14.16	13.53	0.00	10.75	10.75	0.00
	600	72 (22)	42.86	23.54	0.00	39.66	21.61	0.00	36.05	19.58	0.00	32.00	17.44	0.00	27.44	15.21	0.00
		67 (19)	35.94	23.88	0.00	32.64	21.86	0.00	28.94	19.74	0.00	24.78	17.52	0.00	20.12	15.22	0.00
		62 (17)	29.69	24.13	0.00	26.29	22.02	0.00	22.49	19.82	0.00	18.20	17.50	0.00	13.85	13.85	0.00
	750	72 (22)	51.17	27.85	0.00	47.40	25.65	0.00	43.14	23.30	0.00	38.30	20.81	0.00	32.83	18.18	0.00
		67 (19)	42.99	28.53	0.00	39.08	26.19	0.00	34.67	23.71	0.00	29.68	21.10	0.00	24.05	18.35	0.00
		62 (17)	35.55	29.06	0.00	31.51	26.60	0.00	26.96	24.00	0.00	21.89	21.28	0.00	16.92	16.92	0.00
<b>2414 2417</b>	600	72 (22)	39.40	19.20	0.00	36.30	17.60	0.00	32.80	15.90	0.00	28.90	14.10	0.00	24.50	12.20	0.01
		67 (19)	33.10	20.00	0.01	29.90	18.20	0.01	26.30	16.40	0.01	22.40	14.50	0.02	17.90	12.60	0.02
		62 (17)	27.40	20.50	0.02	24.10	18.70	0.02	20.50	16.90	0.02	16.60	15.00	0.02	13.10	13.10	0.05
	800	72 (22)	47.70	23.20	0.00	44.00	21.40	0.00	39.80	19.40	0.00	35.10	17.30	0.02	19.80	15.10	0.02
		67 (19)	40.30	24.50	0.03	36.40	22.50	0.03	32.10	20.40	0.03	27.30	18.10	0.03	21.80	15.80	0.03
		62 (17)	33.40	25.50	0.04	29.50	23.40	0.04	25.10	21.20	0.04	20.50	19.00	0.04	16.70	16.70	0.09
	1000	72 (22)	54.30	26.40	0.00	50.20	24.40	0.00	45.40	22.30	0.02	40.10	20.00	0.04	34.00	17.50	0.04
		67 (19)	46.00	28.20	0.05	41.70	26.10	0.05	36.80	23.70	0.05	31.20	21.20	0.05	25.00	18.60	0.05
		62 (17)	38.30	29.80	0.05	33.80	27.50	0.06	28.90	25.10	0.06	23.80	22.60	0.06	19.90	19.90	0.14
<b>2517</b>	600	72 (22)	62.57	31.59	0.00	57.94	29.03	0.00	52.74	26.32	0.00	46.87	23.47	0.00	40.26	20.49	0.00
		67 (19)	52.49	32.04	0.00	47.71	29.35	0.00	42.35	26.53	0.00	36.33	23.57	0.00	29.57	20.49	0.00
		62 (17)	43.37	32.39	0.00	38.45	29.58	0.00	32.95	26.63	0.00	26.73	23.54	0.00	20.26	20.26	0.00
	800	72 (22)	78.59	39.22	0.00	72.92	36.20	0.00	66.47	32.95	0.00	59.11	29.48	0.00	50.76	25.80	0.00
		67 (19)	66.08	40.30	0.00	60.18	37.08	0.00	53.48	33.63	0.00	45.88	29.97	0.00	37.27	26.11	0.00
		62 (17)	54.71	41.16	0.00	48.58	37.74	0.00	41.65	34.10	0.00	33.87	30.28	0.00	26.26	26.26	0.00
	1000	72 (22)	92.27	45.67	0.00	85.78	42.35	0.00	78.32	38.73	0.00	69.75	34.80	0.00	59.94	30.58	0.00
		67 (19)	77.81	47.56	0.00	70.99	43.94	0.00	63.20	40.04	0.00	54.28	35.83	0.00	44.08	31.34	0.00
		62 (17)	64.59	49.11	0.00	57.46	45.22	0.00	49.36	41.05	0.00	40.28	36.63	0.00	31.96	31.96	0.00

**Table 1 – COOLING CAPACITIES (MBH) - R-410A PURON® REFRIGERANT (Continued)**

Unit Size	Indoor Coil Air		Saturated Temperature Leaving Evaporator °F (°C)														
			30 (-1)			35 (2)			40 (4)			45 (7)			50 (10)		
	CFM	EWB	TC	SHC	BF	TC	SHC	BF	TC	SHC	BF	TC	SHC	BF	TC	SHC	BF
<b>3014 3017</b>	750	72 (22)	49.10	24.00	0.00	45.00	21.90	0.00	40.50	19.70	0.00	35.50	17.40	0.00	30.00	15.00	0.01
		67 (19)	41.20	24.80	0.01	37.00	22.50	0.02	32.40	20.20	0.02	27.40	17.80	0.02	21.90	15.30	0.02
		62 (17)	34.00	25.40	0.02	29.70	23.00	0.02	25.10	20.60	0.02	20.30	18.30	0.02	16.00	16.00	0.06
	1000	72 (22)	59.90	29.10	0.00	55.00	26.70	0.00	49.50	24.10	0.00	43.30	21.30	0.02	36.50	18.40	0.03
		67 (19)	50.40	30.50	0.03	45.30	27.90	0.04	39.70	25.10	0.04	33.50	22.20	0.04	26.70	19.20	0.04
		62 (17)	41.70	31.60	0.04	36.50	28.80	0.04	30.90	26.00	0.04	25.00	23.10	0.05	20.30	20.30	0.10
	1250	72 (22)	68.80	33.40	0.00	63.20	30.70	0.00	56.80	27.80	0.03	49.70	24.70	0.04	41.90	21.40	0.05
		67 (19)	58.00	35.40	0.06	52.20	32.40	0.06	45.70	29.30	0.06	38.50	26.00	0.06	30.60	22.60	0.07
		62 (17)	48.00	37.00	0.07	42.10	33.90	0.07	35.70	30.70	0.07	29.20	27.50	0.07	24.20	24.20	0.01
<b>3617</b>	900	72 (22)	60.30	29.40	0.00	55.40	26.90	0.00	49.90	24.30	0.00	43.80	21.50	0.01	37.00	18.60	0.02
		67 (19)	50.70	30.60	0.02	45.70	27.90	0.03	40.10	25.10	0.03	33.90	22.20	0.03	27.00	19.20	0.03
		62 (17)	41.90	31.50	0.03	36.70	28.70	0.03	31.10	25.80	0.03	25.10	22.90	0.04	20.00	20.00	0.08
	1200	72 (22)	72.40	35.10	0.00	66.50	32.30	0.00	59.90	29.30	0.02	52.50	26.00	0.04	44.30	22.60	0.05
		67 (19)	61.00	37.10	0.05	55.00	34.00	0.06	48.20	30.70	0.06	40.70	27.30	0.06	32.40	23.70	0.06
		62 (17)	50.50	38.80	0.06	44.30	35.50	0.06	37.60	32.10	0.06	30.60	28.70	0.07	25.20	25.20	0.13
	1500	72 (22)	82.20	39.90	0.00	75.60	36.90	0.02	68.10	33.50	0.05	59.70	29.90	0.07	50.40	26.10	0.08
		67 (19)	69.40	42.70	0.08	62.60	39.30	0.08	55.00	35.70	0.08	46.40	31.80	0.09	37.00	27.80	0.09
		62 (17)	57.70	45.10	0.09	50.70	41.40	0.09	43.10	37.70	0.09	35.50	34.00	0.10	29.80	29.80	0.18
<b>3717</b>	900	72 (22)	85.28	42.35	0.00	79.12	39.14	0.00	72.10	35.69	0.00	64.07	31.97	0.00	54.91	28.01	0.00
		67 (19)	71.79	43.83	0.00	65.36	40.38	0.00	58.05	36.68	0.00	49.72	32.73	0.00	40.25	28.53	0.00
		62 (17)	59.49	45.02	0.00	52.78	41.34	0.00	45.22	37.41	0.00	36.79	33.30	0.00	29.00	29.00	0.00
	1200	72 (22)	103.16	50.79	0.00	96.02	47.29	0.00	87.71	43.41	0.00	78.05	39.13	0.00	66.94	34.47	0.00
		67 (19)	87.21	53.61	0.00	79.64	49.72	0.00	70.90	45.46	0.00	60.82	40.81	0.00	49.25	35.81	0.00
		62 (17)	72.54	55.95	0.00	64.59	51.72	0.00	55.57	47.16	0.00	45.56	42.32	0.00	37.10	37.10	0.00
	1500	72 (22)	117.25	57.62	0.00	109.35	53.95	0.00	100.10	49.80	0.00	89.30	45.15	0.00	76.74	40.02	0.00
		67 (19)	99.48	61.84	0.00	91.07	57.69	0.00	81.29	53.07	0.00	69.87	47.93	0.00	56.68	42.33	0.00
		62 (17)	83.06	65.49	0.00	74.20	60.91	0.00	64.12	55.91	0.00	53.03	50.53	0.00	44.30	44.30	0.00
<b>3721</b>	900	72 (22)	85.95	42.71	0.00	79.93	39.56	0.00	73.00	36.12	0.00	65.04	32.41	0.00	55.96	28.45	0.00
		67 (19)	72.40	44.18	0.00	66.07	40.77	0.00	58.86	37.09	0.00	50.60	33.15	0.00	41.19	28.96	0.00
		62 (17)	60.05	45.37	0.00	53.44	41.72	0.00	45.92	37.80	0.00	37.44	33.65	0.00	29.27	29.27	0.00
	1200	72 (22)	104.44	51.43	0.00	97.39	47.95	0.00	89.16	44.08	0.00	79.65	39.82	0.00	68.66	35.19	0.00
		67 (19)	88.33	54.23	0.00	80.87	50.38	0.00	72.22	46.13	0.00	62.25	41.51	0.00	50.73	36.50	0.00
		62 (17)	73.55	56.59	0.00	65.68	52.38	0.00	56.68	47.81	0.00	46.52	42.91	0.00	37.58	37.58	0.00
	1500	72 (22)	119.03	58.46	0.00	111.23	54.81	0.00	102.13	50.71	0.00	91.48	46.10	0.00	79.08	41.02	0.00
		67 (19)	101.06	62.72	0.00	92.78	58.61	0.00	83.14	54.04	0.00	71.83	48.94	0.00	58.67	43.32	0.00
		62 (17)	84.48	66.42	0.00	75.74	61.89	0.00	65.66	56.88	0.00	0.00	0.00	0.00	0.00	0.00	0.00

**Table 1 – COOLING CAPACITIES (MBH) - R-410A PURON® REFRIGERANT (Continued)**

Unit Size	Indoor Coil Air		Saturated Temperature Leaving Evaporator °F (°C)														
			30 (-1)			35 (2)			40 (4)			45 (7)			50 (10)		
	CFM	EWB	TC	SHC	BF	TC	SHC	BF	TC	SHC	BF	TC	SHC	BF	TC	SHC	BF
4221	1050	72 (22)	75.00	36.40	0.00	69.30	33.70	0.00	62.60	30.60	0.01	55.10	27.40	0.02	46.90	24.00	0.03
		67 (19)	63.30	38.80	0.03	57.20	35.70	0.03	50.50	32.50	0.03	42.90	29.00	0.04	33.50	25.00	0.04
		62 (17)	52.60	40.80	0.04	46.40	37.60	0.04	39.50	34.10	0.04	32.00	30.40	0.05	26.40	26.40	0.14
	1400	72 (22)	87.10	42.50	0.00	80.60	39.50	0.03	73.00	36.20	0.04	64.20	32.50	0.01	54.40	28.60	0.06
		67 (19)	73.80	46.10	0.06	66.90	42.70	0.06	58.90	39.00	0.07	50.10	35.20	0.07	40.00	30.90	0.07
		62 (17)	61.40	49.30	0.07	54.40	45.70	0.07	46.90	42.10	0.07	39.00	38.10	0.09	33.00	33.00	0.19
	1750	72 (22)	96.50	47.40	0.05	89.50	44.30	0.07	81.30	40.80	0.07	71.70	36.90	0.08	60.50	32.60	0.09
		67 (19)	82.10	52.30	0.09	74.60	48.80	0.09	65.90	44.90	0.09	55.90	40.60	0.09	45.10	36.20	0.10
		62 (17)	68.60	56.80	0.10	61.00	53.10	0.10	52.90	49.10	0.10	44.90	44.90	0.12	38.70	38.70	0.24
4321	1050	72 (22)	95.75	47.32	0.00	89.15	43.98	0.00	81.55	40.30	0.00	72.72	36.27	0.00	62.64	31.95	0.00
		67 (19)	80.81	49.43	0.00	73.87	45.77	0.00	65.88	41.78	0.00	56.71	37.46	0.00	46.18	32.83	0.00
		62 (17)	67.16	51.17	0.00	59.87	47.21	0.00	51.54	42.93	0.00	42.14	38.37	0.00	33.49	33.49	0.00
	1400	72 (22)	114.53	56.27	0.00	106.97	52.67	0.00	98.10	48.62	0.00	87.81	44.12	0.00	75.84	39.17	0.00
		67 (19)	97.13	60.04	0.00	89.08	55.99	0.00	79.75	51.52	0.00	68.84	46.55	0.00	56.19	41.13	0.00
		62 (17)	81.09	63.28	0.00	72.60	58.83	0.00	62.86	53.96	0.00	51.93	48.71	0.00	42.81	42.81	0.00
	1750	72 (22)	128.85	63.40	0.00	120.65	59.68	0.00	111.06	55.46	0.00	99.69	50.67	0.00	86.32	45.29	0.00
		67 (19)	109.76	68.90	0.00	101.01	64.69	0.00	90.69	59.91	0.00	78.53	54.53	0.00	64.28	48.54	0.00
		62 (17)	92.05	73.79	0.00	82.77	69.09	0.00	72.04	63.83	0.00	60.16	58.07	0.00	51.02	51.02	0.00
4821	1200	72 (22)	83.40	40.60	0.00	76.70	37.20	0.00	69.30	33.60	0.00	60.90	29.80	0.01	51.70	25.80	0.02
		67 (19)	70.10	42.30	0.02	63.20	38.60	0.03	55.60	34.80	0.03	47.20	30.80	0.04	37.80	26.60	0.04
		62 (17)	57.90	43.50	0.04	50.90	39.70	0.04	43.20	35.70	0.04	34.90	31.70	0.04	27.70	27.70	0.08
	1600	72 (22)	100.80	48.90	0.00	92.80	45.10	0.00	83.80	40.90	0.01	73.80	36.40	0.04	62.50	31.70	0.05
		67 (19)	84.90	51.70	0.05	76.70	47.40	0.06	67.50	42.90	0.06	57.30	38.10	0.06	45.90	33.20	0.06
		62 (17)	70.40	53.90	0.06	62.00	49.30	0.06	52.60	44.60	0.07	42.80	39.90	0.07	35.00	35.00	0.01
	2000	72 (22)	114.70	55.70	0.00	105.70	51.60	0.00	95.60	47.00	0.05	84.20	42.00	0.07	71.40	36.70	0.08
		67 (19)	97.00	59.50	0.08	87.70	54.90	0.08	77.30	49.90	0.09	65.60	44.60	0.09	52.50	39.00	0.09
		62 (17)	80.60	62.80	0.09	71.00	57.70	0.09	60.50	52.50	0.09	49.60	47.20	0.10	41.30	41.30	0.18
6021 6024	1600	72 (22)	109.20	53.40	0.00	100.00	48.60	0.00	89.90	43.60	0.00	78.60	38.50	0.00	66.40	33.10	0.02
		67 (19)	91.50	55.10	0.02	82.10	50.00	0.03	71.90	44.80	0.03	60.70	39.40	0.03	48.40	34.00	0.03
		62 (17)	75.40	56.30	0.03	65.90	51.00	0.03	55.60	45.70	0.04	44.80	40.40	0.04	35.30	35.30	0.07
	2000	72 (22)	128.00	62.52	0.00	117.20	56.90	0.00	105.20	51.20	0.00	92.00	45.20	0.02	77.50	39.10	0.04
		67 (19)	107.40	64.90	0.04	96.40	59.10	0.04	84.30	53.00	0.05	71.10	46.80	0.05	56.60	40.50	0.05
		62 (17)	88.60	66.90	0.05	77.50	60.80	0.05	65.30	54.60	0.05	52.70	48.50	0.06	42.40	42.40	0.11
	2400	72 (22)	144.20	70.00	0.00	132.10	64.20	0.00	118.50	57.90	0.01	103.60	51.20	0.04	87.20	44.30	0.06
		67 (19)	121.20	73.60	0.06	108.80	67.20	0.06	95.10	60.40	0.07	80.10	53.50	0.07	63.70	46.40	0.07
		62 (17)	100.10	76.40	0.07	87.50	69.60	0.07	73.80	62.70	0.07	59.80	56.00	0.08	48.90	48.90	0.14

**Table 1 – COOLING CAPACITIES (MBH) - R-410A PURON® REFRIGERANT (Continued)**

Unit Size	Indoor Coil Air		Saturated Temperature Leaving Evaporator °F (°C)														
			30 (-1)			35 (2)			40 (4)			45 (7)			50 (10)		
	CFM	EWB	TC	SHC	BF	TC	SHC	BF	TC	SHC	BF	TC	SHC	BF	TC	SHC	BF
6121 6124	1600	72 (22)	133.10	65.29	0.00	124.38	61.09	0.00	114.12	56.35	0.00	102.04	51.04	0.00	87.92	45.18	0.00
		67 (19)	112.92	69.55	0.00	103.56	64.81	0.00	92.62	59.52	0.00	79.80	53.65	0.00	64.92	47.24	0.00
		62 (17)	94.29	73.16	0.00	84.32	67.90	0.00	72.85	62.14	0.00	59.93	55.91	0.00	48.98	48.98	0.00
	2000	72 (22)	150.19	73.70	0.00	140.73	69.39	0.00	129.45	64.43	0.00	116.13	58.76	0.00	100.38	52.39	0.00
		67 (19)	127.98	79.99	0.00	117.77	75.03	0.00	105.67	69.38	0.00	91.36	63.01	0.00	74.55	55.91	0.00
		62 (17)	107.36	85.50	0.00	96.47	79.93	0.00	83.81	73.69	0.00	69.74	66.88	0.00	58.70	58.70	0.00
	2400	72 (22)	163.45	80.69	0.00	153.55	76.31	0.00	141.65	71.22	0.00	127.40	65.35	0.00	110.42	58.64	0.00
		67 (19)	139.86	88.99	0.00	129.06	83.92	0.00	116.15	78.06	0.00	100.72	71.35	0.00	82.51	63.78	0.00
		62 (17)	117.85	96.47	0.00	106.33	90.72	0.00	92.96	84.20	0.00	78.33	76.91	0.00	67.38	67.38	0.00

Legend:

**CFM** - Cubic Ft. per Minute  
**BF** - Bypass Factor

**EWB** - Entering Wet Bulb (°F)  
**MBH** - 1000 Btuh

**LWB** - Leaving Wet Bulb (°F)

**TC** - Gross Cooling Capacity 1000 Btuh  
**SHC** - Gross Sensible Capacity 1000 Btuh

See notes on page 7.



**Table 2 – COIL STATIC PRESSURE DROP (in. w.c.) R-410A PURON®**

Unit Size	STANDARD CFM																						
	400	500	600	700	800	900	1000	1100	1200	1300	1400	1500	1600	1700	1800	1900	2000	2100	2200				
1814	Dry																						
	0.079	0.111	0.145	0.186	0.232																		
	Wet																						
1917	0.083	0.116	0.151	0.196	0.243																		
	Dry																						
	0.077	0.099	0.124	0.152	0.182																		
2414	Wet																						
	0.088	0.113	0.137	0.170	0.209																		
	Dry																						
2417	0.065	0.091	0.120	0.154	0.194	0.237	0.284																
	Wet																						
	0.066	0.094	0.124	0.161	0.203	0.250	0.301																
2517	Dry																						
	0.056	0.076	0.097	0.123	0.151	0.182	0.215																
	Wet																						
2517	0.060	0.082	0.105	0.132	0.163	0.195	0.231																
	Dry																						
	0.069	0.090	0.111	0.136	0.165	0.193	0.227																
3014	Wet																						
	0.071	0.090	0.113	0.136	0.164	0.196	0.229																
	Dry																						
3014	0.054	0.077	0.102	0.133	0.167	0.206	0.248	0.296	0.347														
	Wet																						
	0.059	0.084	0.111	0.142	0.181	0.223	0.269	0.319	0.375														
3017	Dry																						
	0.043	0.059	0.077	0.096	0.119	0.144	0.171	0.201	0.232														
	Wet																						
3017	0.046	0.063	0.083	0.105	0.130	0.157	0.186	0.219	0.252														
	Dry																						
	0.023	0.036	0.052	0.069	0.089	0.110	0.135	0.160	0.189	0.219	0.251												
3617	Wet																						
	0.042	0.058	0.076	0.095	0.117	0.142	0.169	0.198	0.231	0.265	0.299												
	Dry																						
3717	0.077	0.099	0.124	0.152	0.182	0.216	0.253	0.294	0.338														
	Wet																						
	0.088	0.113	0.137	0.170	0.209	0.247	0.287	0.326	0.368														
3721	Dry																						
			0.059	0.073	0.090	0.111	0.135	0.162	0.191	0.222	0.254												
	Wet																						
4221			0.073	0.096	0.120	0.147	0.176	0.207	0.240	0.276	0.314												
	Dry																						
			0.044	0.056	0.068	0.082	0.099	0.119	0.138	0.161	0.183	0.205	0.233										
4321	Wet																						
			0.058	0.073	0.089	0.106	0.125	0.143	0.165	0.189	0.213	0.239	0.268										
	Dry																						
4321			0.059	0.073	0.090	0.111	0.135	0.162	0.191	0.222	0.254	0.288	0.323										
	Wet																						
			0.073	0.096	0.120	0.147	0.176	0.207	0.240	0.276	0.314	0.354	0.396										
4821	Dry																						
			0.055	0.072	0.089	0.107	0.128	0.150	0.175	0.199	0.228	0.257	0.288	0.321	0.356								
	Wet																						
6021			0.058	0.075	0.094	0.115	0.136	0.161	0.188	0.217	0.247	0.279	0.313	0.347	0.386								
	Dry																						
						0.075	0.093	0.112	0.133	0.157	0.181	0.206	0.234	0.264	0.294	0.326	0.360	0.396	0.432	0.478			
6024	Wet																						
						0.077	0.095	0.115	0.137	0.159	0.184	0.209	0.238	0.268	0.300	0.334	0.370	0.407	0.444	0.488			
	Dry																						
6024						0.073	0.083	0.095	0.107	0.120	0.136	0.152	0.169	0.184	0.203	0.217	0.238	0.260	0.283	0.307			
	Wet																						
						0.076	0.086	0.098	0.110	0.124	0.140	0.157	0.175	0.193	0.215	0.238	0.261	0.286	0.314	0.342			
6121	Dry																						
						0.111	0.133	0.153	0.163	0.204	0.234	0.262	0.293	0.326	0.366	0.392	0.437	0.480	0.520				
	Wet																						
6124						0.130	0.150	0.183	0.210	0.245	0.280	0.320	0.355	0.400	0.435	0.480	0.525	0.570	0.630				
	Dry																						
						0.099	0.113	0.127	0.144	0.162	0.182	0.203	0.227	0.252	0.279	0.307	0.337	0.369	0.403				
6124	Wet																						
						0.118	0.140	0.163	0.187	0.213	0.239	0.266	0.295	0.325	0.355	0.387	0.420	0.454	0.489				
	Dry																						

Manufacturer reserves the right to change, at any time, specifications and designs without notice and without obligations.

**COOLING CAPACITIES NOTES:**

**NOTE:**

1. Contact manufacturer for cooling capacities at conditions other than shown in table.
2. Formulas:  
 Leaving db = entering db -  $\frac{\text{sensible heat cap.}}{1.09 \times \text{CFM}}$   
 Leaving wb = wb corresponding to enthalpy of air leaving coil ( $h_{LWB}$ )  
  
 $h_{LWB} = h_{EWB} - \frac{\text{total capacity (Btuh)}}{4.5 \times \text{CFM}}$   
 Where  $h_{EWB}$  = enthalpy of air entering coil
3. SHC is based on 80°F db temperature of air entering the evaporator coil.  
 Below 80°F db, subtract (Correction Factor x CFM) from SHC.  
 Above 80°F db, add (Correction Factor x CFM) to SHC.
4. Direct interpolation is permissible. Do not extrapolate.
5. Fan motor heat has not been deducted.
6. All data points are based on 10°F superheat leaving coil and use of thermostatic expansion valve (TXV) device.
7. All units have sweat suction-tube connection and a liquid-tube connection. For 1-1/8-in. system suction tube, 3/4 x 1-1/8-in. suction tube connection adapter is available as accessory.
8. The CAPMP coils can be used in any properly designed system using R-410APuron® Refrigerant.
9. Before using maximum cfm shown in table, check coil static pressure drop to ensure system blower can provide necessary static pressure needed for coil and duct systems.
10. Bypass Factor = 0 indicates no psychometric solution. Use bypass factor of next lower EWB for approximation.

**Table 3 – ENTERING AIR DRY BULB TEMPERATURE (°F)**

BYPASS FACTOR	79	78	77	76	75	Under 75
	81	82	83	84	84	Above 85
	Correction Factor					
0.10	0.98	1.96	2.94	3.92	4.91	Use formula shown below
0.20	0.87	1.74	2.62	3.49	4.36	
0.30	0.76	1.53	2.29	3.05	3.82	

Interpolation is permissible.  
 Correction Factor =  $1.09 \times (1 - \text{BF}) \times (\text{db} - 80)$