

KAATD0201TDR**30-Second Time-Delay Relay****Installation Instructions**

NOTE: Read this entire instruction before starting the installation.

SAFETY CONSIDERATIONS

Installing and servicing air conditioning equipment can be hazardous due to system pressure and electrical components. Only trained personnel should install or service air conditioning equipment.

Untrained personnel can perform basic maintenance functions, such as cleaning coils and cleaning and replacing filters. All other operations should be performed by trained service personnel. When working on air conditioning equipment, observe precautions in the literature, and on tags and labels attached to the unit.

Follow all safety codes. Wear safety glasses and work gloves. Use a quenching cloth for brazing. Have a fire extinguisher available.

! WARNING**ELECTRICAL SHOCK HAZARD**

Failure to follow this warning could result in personal injury or death. Before beginning any modification be sure the main electrical disconnect is in the OFF position. TAG THE SWITCH WITH A SUITABLE WARNING LABEL.

INTRODUCTION

The Time-Delay Relay permits the indoor fan to briefly continue to operate and provide additional cooling after the compressor cycles off.

INSTALLATION**! CAUTION****ELECTRICAL OPERATION HAZARD**

Failure to follow this caution may result in personal injury. Before installing this kit, make sure that high- and low-voltage electrical power to the indoor section is disconnected.

NOTE: Check to make sure no components inside the cabinet are within drilling range.

- Using the screws provided, mount the time-delay relay to the evap coil or furnace cabinet. Position the time-delay relay in a convenient place so the wires will be close to the connection point. Drill a 0.125 in. (1/8" drill size) screw hole into the cabinet, or use a pre-existing knockout.

! CAUTION**ELECTRICAL OPERATION HAZARD**

Failure to follow this caution may result in personal injury or equipment damage. The time-delay relay and low-voltage wiring should be physically separated from the high-voltage components and wiring.

- Paint edges of the screw holes to resist rust. Install mounting screws through the time-delay relay and into the screw holes. Tighten the screws securely but do not over-tighten.
- Refer to Fig. 1 for wiring connections.
- Connect the red wire from the time-delay relay (R) to terminal R on the low-voltage terminal board in the coil or furnace.
- Connect the two brown wires (SPT, C) from the time-delay relay to terminal C on the low-voltage terminal board.
- Splice the wire from the thermostat terminal G to the black wire (I) from the time-delay relay.
- Connect the orange wire from the time-delay relay (NO) to terminal G on the low-voltage terminal board.
- Affix the wiring label next to the indoor unit wiring label.
- Check all connections. Turn on electrical power.
- Affix the caution label on the indoor unit access panel to the electrical controls.
- To check function of the system, set the thermostat to operate in cooling mode. With the system "calling for cooling," run for a minimum of 5 minutes, then slowly move the cooling lever on the thermostat to a higher setting to satisfy the thermostat. Once the thermostat is satisfied, the indoor fan will continue to run approximately 30 seconds, then shut off.

! CAUTION**UNIT DAMAGE HAZARD**

Failure to follow this caution may result in equipment damage. This accessory package includes an adhesive-backed warning sticker. Affix this sticker prominently to the coil or furnace after installation.

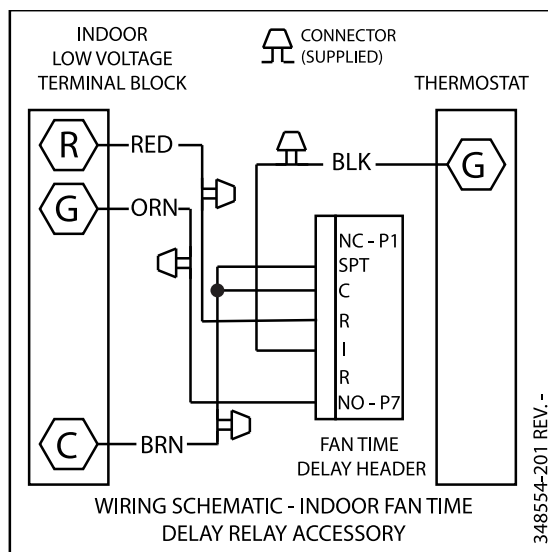


Fig. 1 – Typical Time-Delay Relay Wiring Connection

A220912