



325 COMMERCE DRIVE  
 MT VERNON, OH 43050  
 800-253-8236

# SPECIFICATION DATA SHEET

DATE: 5-14-13  
 PREPARED BY: RL

## MODEL NO. 025

DUCTBOARD START COLLAR W/SCOOP & DAMPER

STANDARD MODEL

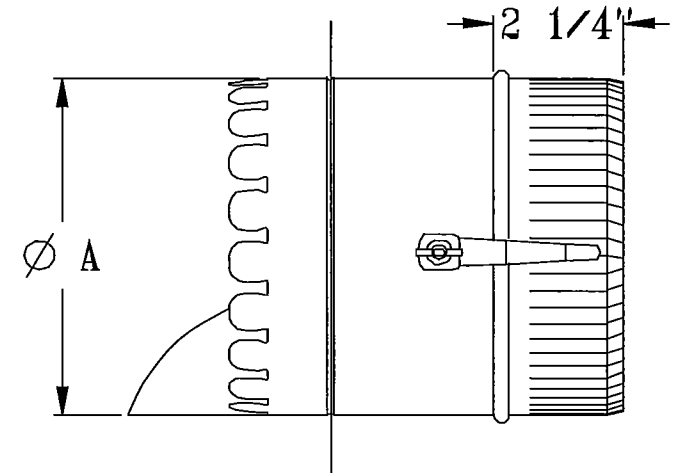
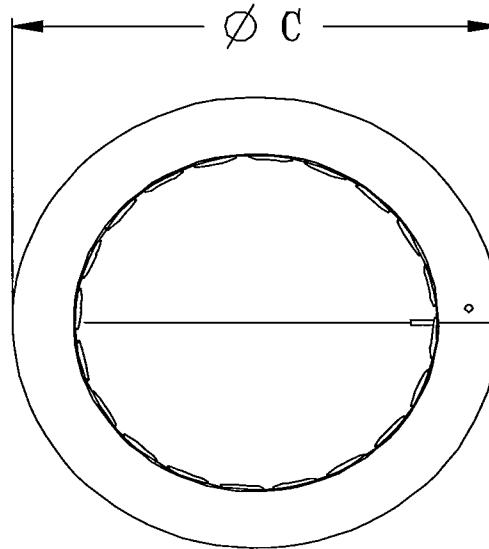
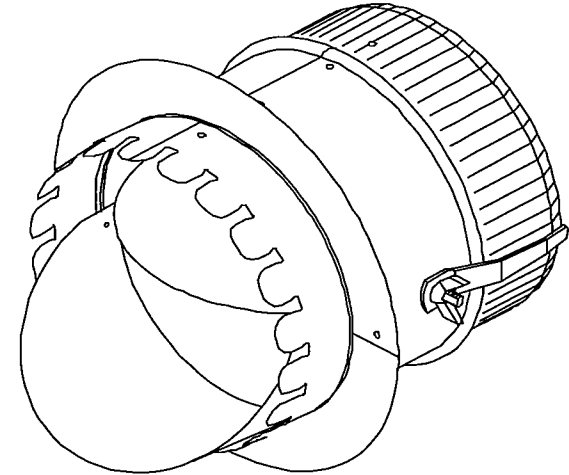
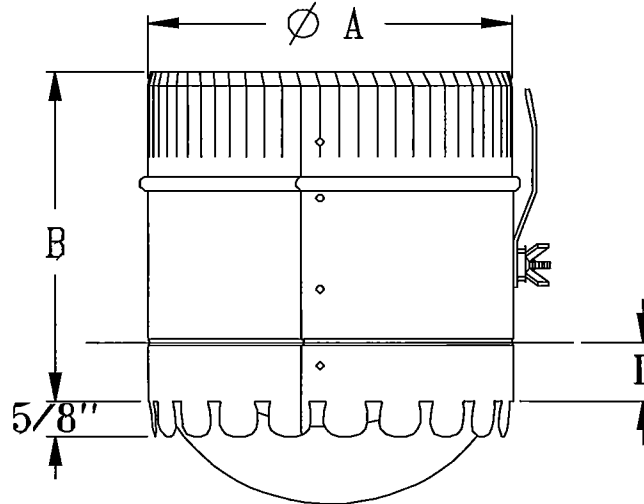
### DIMENSIONS

SIZE	DUCTBOARD SIZE			
	A	B	C	D
4"	4"	6 1/4"	6"	1"
5"	5"	6 1/4"	7"	1"
6"	6"	6 1/4"	8"	1"
7"	7"	5"	9"	1"
8"	8"	5"	10"	1"
10"	10"	5"	12"	1"
12"	12"	5"	14"	1"
14"	14"	5"	16"	1"

### MATERIAL SPECIFICATIONS

HOT DIPPED GALVANIZED STEEL.  
 PER ASTM A 653 CSB.  
 ASSEMBLED WITH 1/8" ZINC COATED RIVETS.  
 BODY: 4"-8" = STD GA  
 BODY: 9"-16" = 28 GA  
 OTHER GAUGES AVAILABLE.  
 SCOOP: 4" - 14" = STD GA  
 SCOOP: 16" & LARGER = 28GA  
 DAMPER: 4"-8" = 28 GA  
 DAMPER: 9"-12" = 26 GA  
 DAMPER: 14" & UP = 24 GA  
 RINGS: 4" - 6" = 28 GA  
 RINGS: 7" - 10" = 26 GA  
 RINGS: 12" & UP = 24 GA  
 WINGNUT = 5/16-18, ZINC PLATED STEEL  
 DAMPER HANDLE = 18 GAUGE

### OPTIONS



JOB: \_\_\_\_\_  
 LOCATION: \_\_\_\_\_  
 CONTRACTOR: \_\_\_\_\_  
 ENGINEER: \_\_\_\_\_  
 NOTES: \_\_\_\_\_