

REPLACEMENT PARTS FOR ELECTRIC UNIT HEATERS

MODEL EUH



TABLE OF CONTENTS

SERIAL NUMBER.....	2
HEATING ELEMENTS.....	3
ELECTRICAL COMPONENTS.....	4
FAN AND MOTOR ASSEMBLY COMPONENTS.....	6
CABINET COMPONENTS.....	7
ACCESSORIES/OPTIONS.....	9

IMPORTANT

1. Always include complete model and serial number so that any specification change can be considered for parts replacement. It can save time and expense.
2. In keeping with our policy of continuous product improvement, we reserve the right to alter any information shown here. Specifications are subject to change without notice.
3. We reserve the right to substitute functional replacements.
4. Order by Part Number (PN) not by option designation.

SERIAL NUMBER

NOTE: The serial number is located on the unit's rating plate.

Decode serial numbers as follows:

Serial number sample: **BOG 3062 00000**
 Elements key number: **1 | 2 | 3**

Key:

- 1 = Date code (refer to [Table 1](#))**
- 2 = Plant of manufacture (3062 = Monterrey)**
- 3 = Consecutive number**

Table 1. Serial Number Date Codes (Month and Year)

Year	Month											
	JAN	FEB	MAR	APR	MAY	JUN	JUL	AUG	SEP	OCT	NOV	DEC
2023	BWA	BWB	BWC	BWD	BWE	BWF	BWG	BWH	BWI	BWJ	BWK	BWL
2024	BXA	BXB	BXC	BXD	BXE	BXF	BXG	BXH	BXI	BXJ	BXK	BXL
2025	BYA	BYB	BYC	BYD	BYE	BYF	BYG	BYH	BYI	BYJ	BYK	BYL
2026	BZA	BZB	BZC	BZD	BZE	BZF	BZG	BZH	BZI	BZJ	BZK	BZL
2027	CAA	CAB	CAC	CAD	CAE	CAF	CAG	CAH	CAI	CAJ	CAK	CAL
2028	CBA	CBB	CBC	CBD	CBE	CBF	CBG	CBH	CBI	CBJ	CBK	CBL
2029	CCA	CCB	CCC	CCD	CCE	CCF	CCG	CCH	CCI	CCJ	CCK	CCL
2030	CDA	CDB	CDC	CDD	CDE	CDF	CDG	CDH	CDI	CDJ	CDK	CDL
2031	CEA	CEB	CEC	CED	CEE	CEF	CEG	CEH	CEI	CEJ	CEK	CEL
2032	CFA	CFB	CFC	CFD	CFE	CFF	CFG	CFH	CFI	CFJ	CFK	CFL
2033	CGA	CGB	CGC	CGD	CGE	CGF	CGG	CGH	CGI	CGJ	CGK	CGL
2034	CHA	CHB	CHC	CHD	CHE	CHF	CHG	CHH	CHI	CHJ	CHK	CHL
2035	CIA	CIB	CIC	CID	CIE	CIF	CIG	CIH	CII	CIJ	CIK	CIL

HEATING ELEMENTS

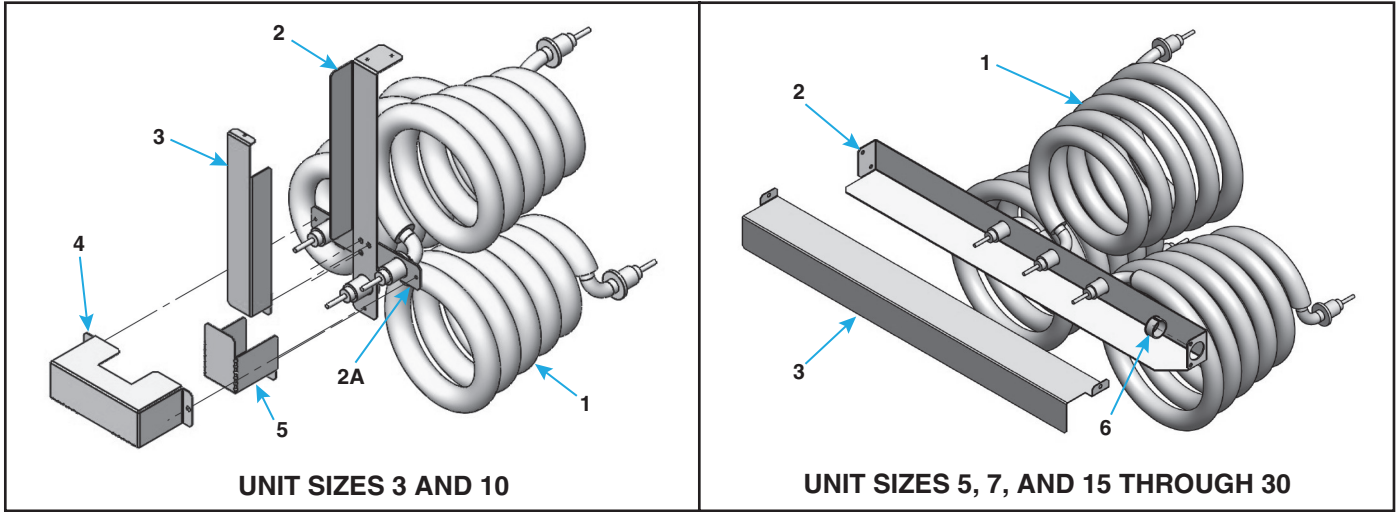


Figure 1. Typical Heating Element Assemblies (Refer to [Table 2](#))

Table 2. Heating Element Assembly Components											
Item No.	Component	Description	Unit Size (kW)								
			3	5	7	10	15	20	25	30	
			PN (Quantity)*								
1	Heating element	240V, 1kW	1042358 (3)	1042358 (2)	1042358	—	—				
		240V, 3.3kW	—	1042359	1042359 (2)	1042359 (3)	—				
		240V, 5kW	—				1042360 (3)	1042360 (2)	1042360	—	
		240V, 10kW	—				—	1042361	1042361 (2)	—	
		480V, 1kW	1042362 (3)	1042362 (2)	1042362	—	—				
		480V, 3.3kW	—	1042363	1042363 (2)	1042363 (3)	—				
		480V, 5kW	—				1042364 (3)	1042364 (2)	1042364	—	
		480V, 10kW	—				—	1042365	1042365 (2)	1042365 (3)	
2	Bracket	Support	1042615	1042582		1042521	1042639		1042656		
2A	Crossbar	Support bracket	—			1042518	—				
3			1042612	1042581		1042560	1042640				
4	Wire cover		1042613	—		1042561	—				
5			1042614	—		1042562	—				
6	Bushing	Snap-in	—				143167				
7	Screw	Sheet metal, #8	195638 (as required)								

*Quantity is one (1) unless otherwise indicated.

ELECTRICAL COMPONENTS

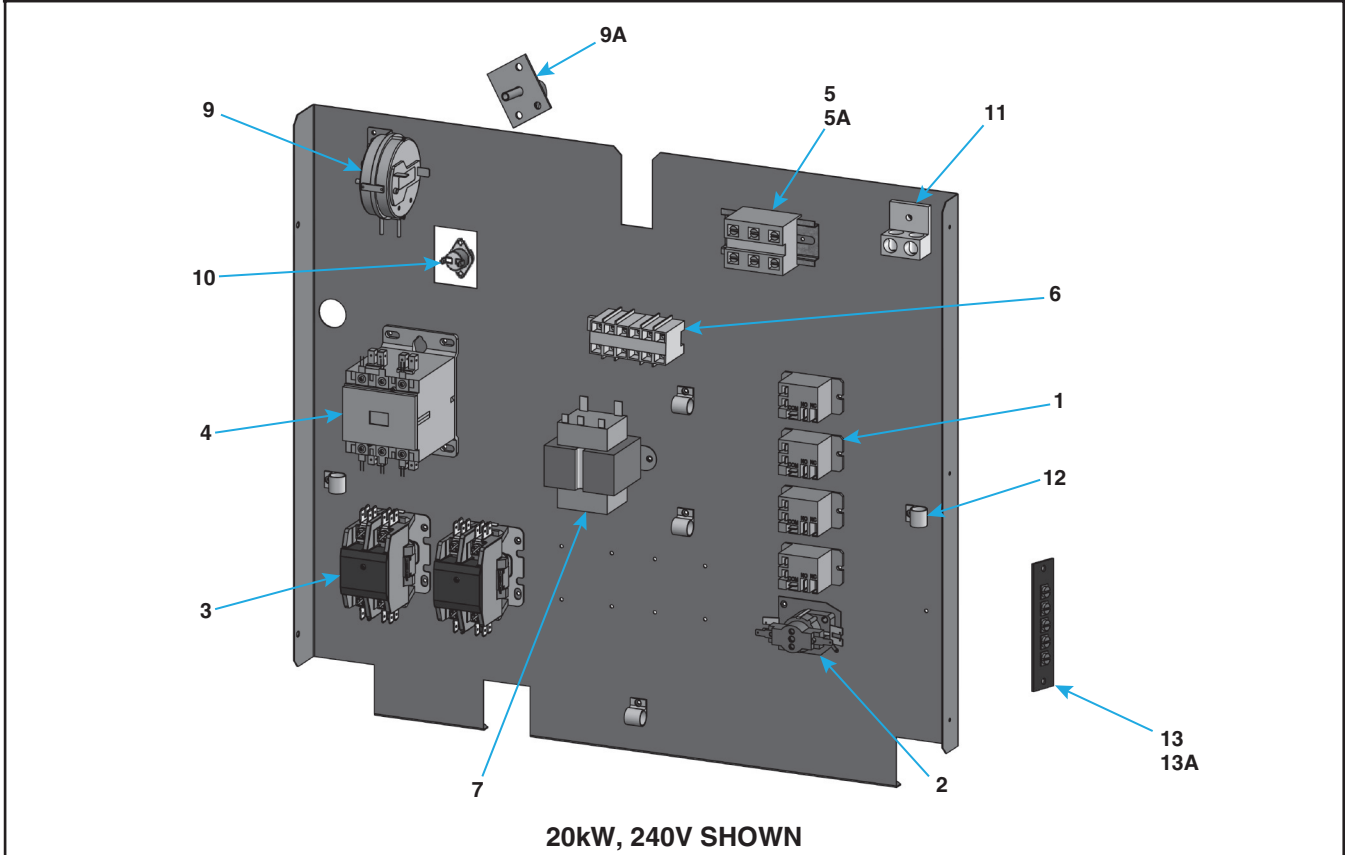
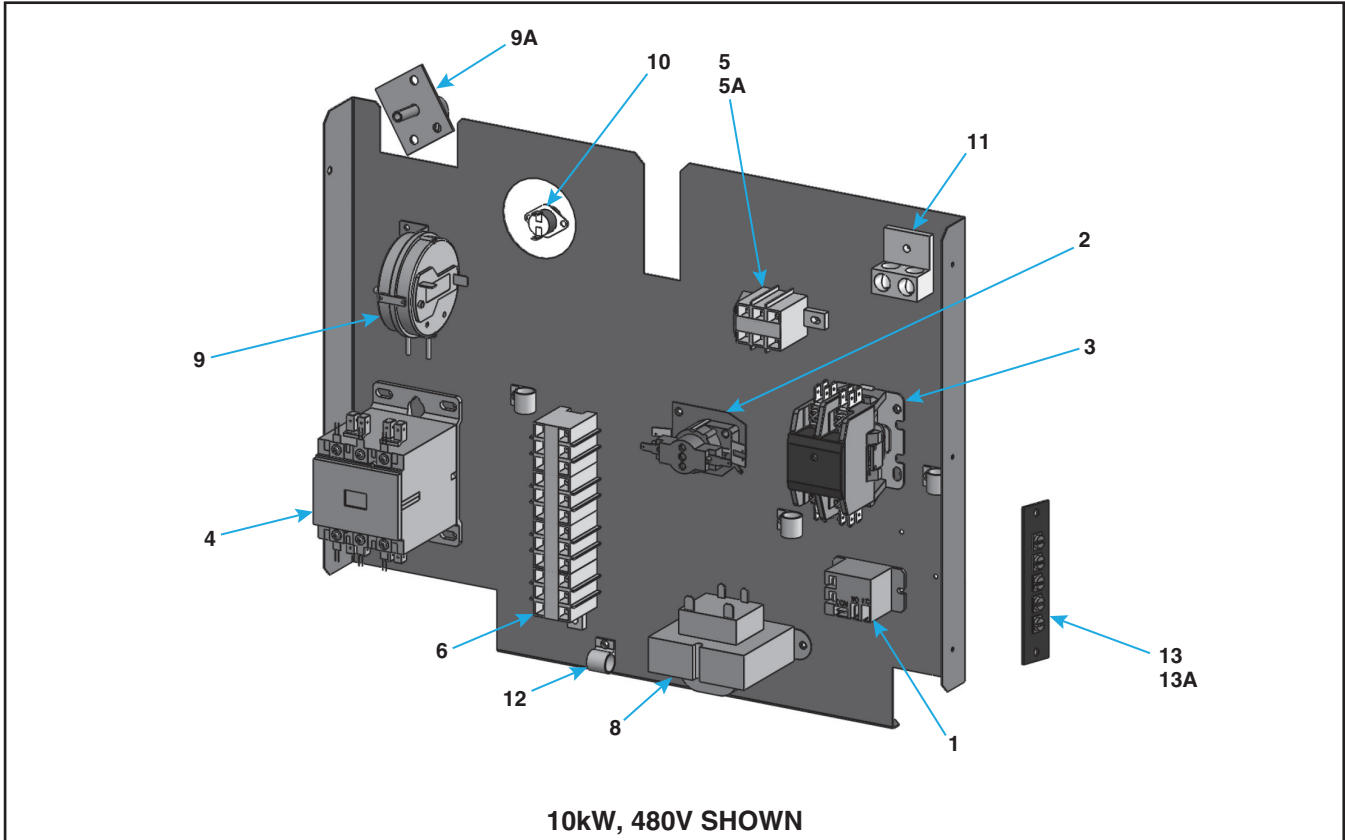


Figure 2. Typical Control Panels (Refer to [Table 3](#))

Table 3. Electrical Components

Item No.	Component	Description	Unit Size (kW)							
			3	5	7	10	15	20	25	30
			PN (Quantity)*							
1	Relay	Control, 240V	624843 (3)			624843 (4)		—		
		Control, 480V	624843			624843 (2)		—		
2	Relay	Time delay, 240V	209164	209164			209164			
		Time delay, 480V	174810	209164			209164			
3	Contactor	2-pole, 240V	—			1014866 (3)	1014866 (2)	—		
		2-pole, 480V	1014866			1014866 (4)		—		
4	Contactor	3-pole, 240V	216386	216387	216386	—	216387	—		
		3-pole, 480V		216386		—	—	—		
5	Terminal	240V	31875		31875		—			
		480V	—		31875		31875			
5A	Din rail	3-inch, 240V	110919		110919		—			
		3-inch, 480V	—		110919		110919			
6	Terminal block, 24V	240V	144972 (2)	144972 (2)	144972 (4)	144972 (2)				
		480V	144972 (3)		144972 (2)	144972 (2)				
7	Transformer	40V, 240V	621709			621709		—		
8		460V, 480V	202661			202661		—		
9	Pressure switch	Air proving	1042976			234712		—		
9A	Sensing tube	Pressure switch	111733			111733		—		
10	Limit switch	High temperature	626611		626598	626619		—		
11	Lug	Ground	632235			632235		—		
12	Clip	Wire	16227 (4)			16227 (5)		16227 (4)		
13	Terminal strip	5-pole	196813							
13A	Gasket	Terminal strip	196327							

*Quantity is one (1) unless otherwise indicated.

FAN AND MOTOR ASSEMBLY COMPONENTS

NOTE: Refer to the installation, operation, and maintenance manual provided with the the unit for specific fan replacement instructions.

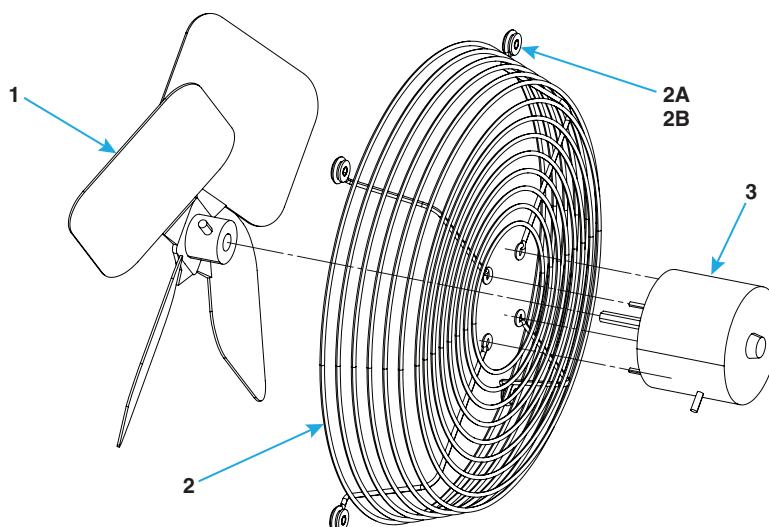


Figure 3. Fan and Motor Assembly (Refer to Table 4)

Table 4. Fan and Motor Assembly Components			Unit Size (kW)							
Item No.	Component	Description	3	5	7	10	15	20	25, 30	
			PN/Specification							
1	Propeller	Fan	1042452	195645	195647	195649	195649	195649	195679	
2	Guard	Fan	175266			175267	195047	1041217		
2A	Flat washer	Fan guard (quantity 4)	3/4 OD x 7/32 ID x 0.049 thick, zinc-plated					1 OD x 9/32 ID x 0.060 thick		
2B	Tinnerman clip		—					054633		
2C	Sheet metal screw		#10-32 x 3/4, hex head, zinc-plated (torque to 30 inch-pounds)			1/4, hex head (torque to 30 inch-pounds)				
3	Fan motor	240V	1042366	1042367	1042368		1042369			
		480V	1042524	1042525						
3A	Nut	Fan motor (quantity 4)	#8-32 (torque to 30 inch-pounds)							
3B	Flat washer		3/4 OD x 3/16 ID x 0.125 thick							

NOTE: Hardware listed without a PN is field-supplied.

CABINET COMPONENTS

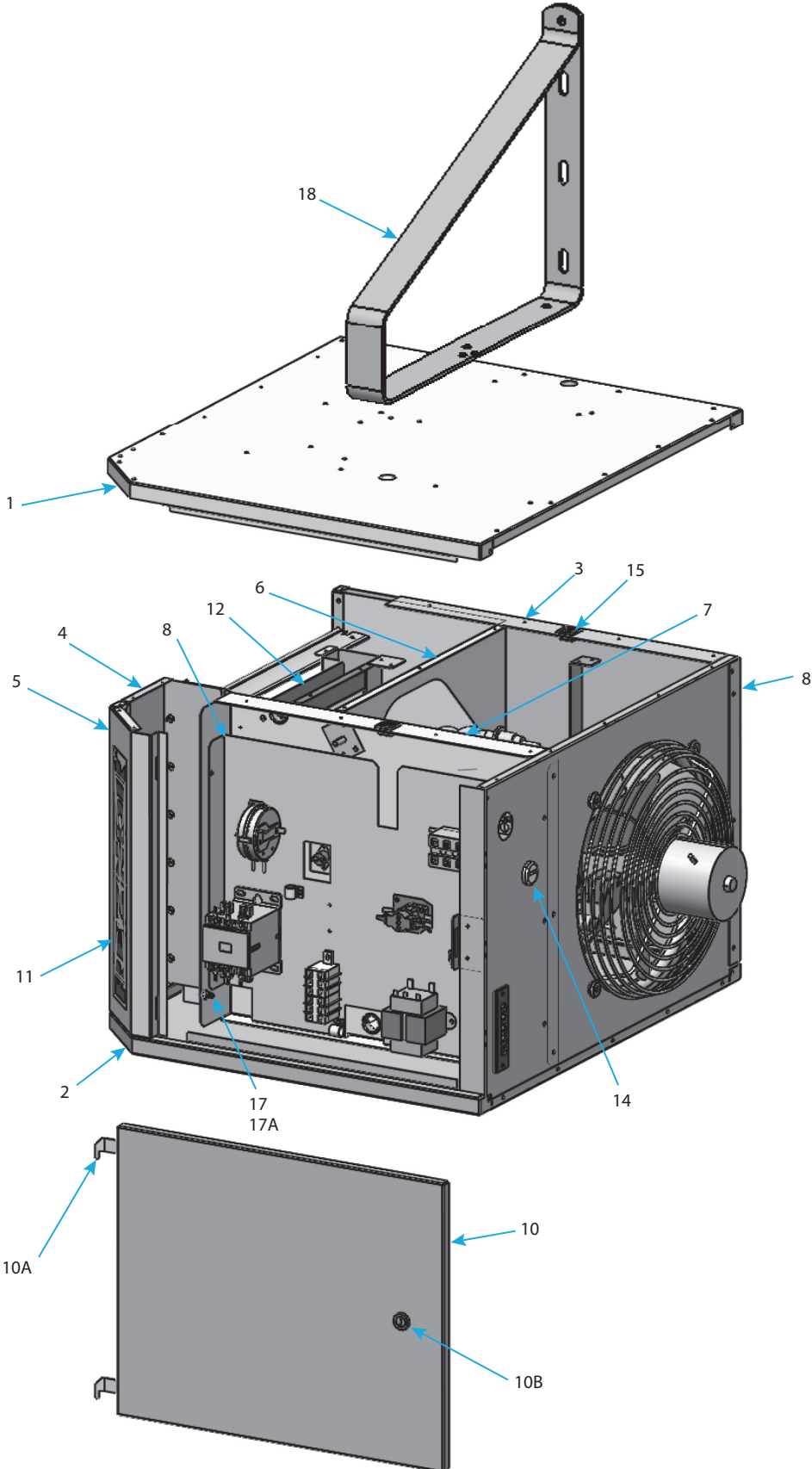


Figure 4. Cabinet Components (Refer to Table 5)

CABINET COMPONENTS—CONTINUED

Table 5. Cabinet Components										
Item No.	Component	Description	Cabinet 1				Cabinet 2			
			Unit Size (kW)							
			3	5	7	10	15	20	25	30
			PN (Quantity)*							
1	Panel	Top	1042690	1042696	1042697	1042698	1042687	1042681	1042688	1042689
2		Bottom	1042691				1042683			
3		Left side	1042692				1042682			
4		Front	1042693				1042684			
5		Mitered corner**	1042694				1042685			
6		Front baffle	1042607	1042589	1042578	1042517	1042663	1042625	1042642	1042629
7		Inside right	1042608	1042588	1042579	1042396	1042507	1042626	1042643	1042630
8		Fan	1042605			1042390	1042339		1042511	
9		Control, removable	1042609	1042580		1042558	1042557	1042627	1042655	1042631
10		Access, hinged door	1042395				1042510			
10A	Hinge	Access panel	1036417 (2)							
10B	Lock	Quarter-turn	1034012				1034012 (2)			
10C	Rivet	Access panel	1036260 (4)							
10D	Stem bumper	Rubber	155064 (4)							
11	Logo**	Reznor	1034239				1034240			
12	Channel	Wire	1042610	1042583		1042563	—			
13	Bushing	Snap-in	143167 (4)							
14		Strain relief	040738							
15	Nut	Cage	096385 (2)							
16	Screw	Sheet metal, #8	195638 (as required)							
17	Bolt	#10-32 × 1/2	120336							
17A	Hex nut	#10-32, keps	026490							
18	Bracket	Wall-mounting	1042963				1042957			
*Quantity is one (1) unless otherwise indicated.										
**The Reznor logo (item 11) is not included with the mitered corner (item 5) and must be ordered separately.										

ACCESSORIES/OPTIONS

Hanger Kit (Option CK8)

NOTE: Hanger kit option CK8 is for two-point suspension.



Two-Point Suspension

Figure 6. Hanger Kit

Table 6. Hanger Kit (PN 98509) Components	
Component	PN (Quantity)
Swivel connector assembly	17627 (2)
Lockwasher, 3/8	5197 (2)

Ceiling Suspension Kit (Option CK22)

NOTES:

- The ceiling suspension kit (option CK22, PN 1042759) allows the heater to be installed 1 inch from the ceiling without hanger rods.
 - Refer to the ceiling suspension kit installation manual provided with the kit for components and installation instructions.
-

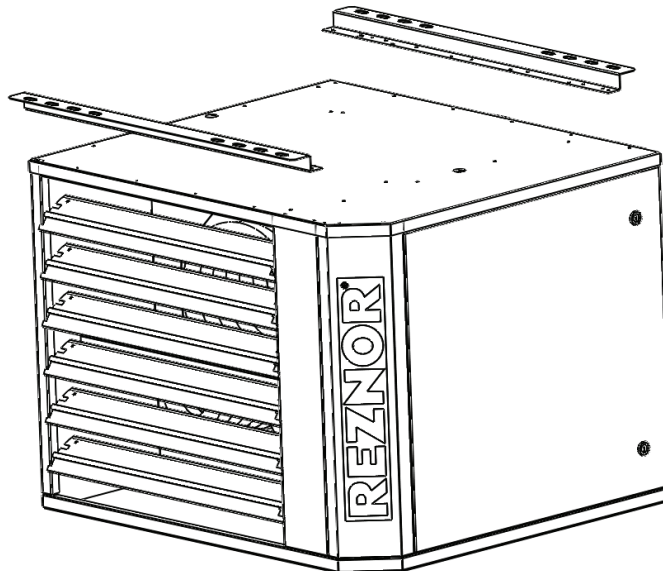


Figure 5. Ceiling Suspension Kit

ACCESSORIES/OPTIONS—CONTINUED

Thermostats (Options CL1, CL22, CL90, and IT13)

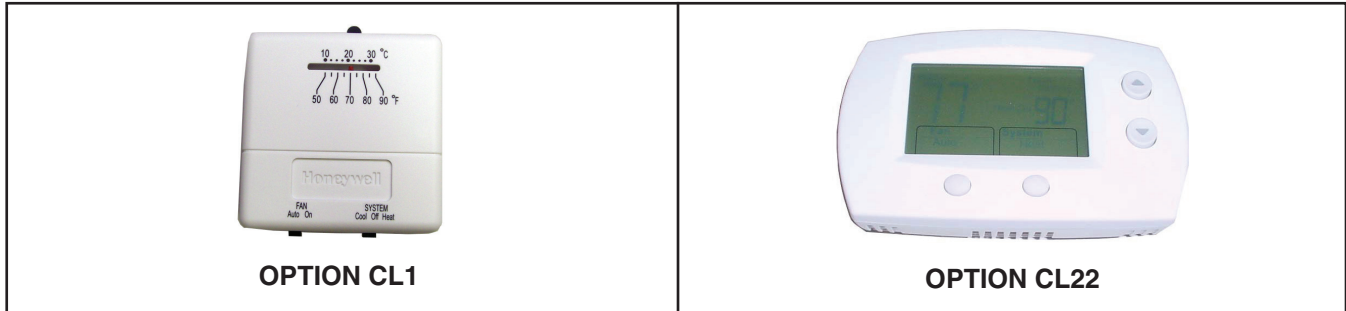


Figure 7. Thermostats

Table 7. Thermostats and Thermostat Accessories			
Option	Component	Description	PN
CL1	Single-stage thermostat	24V, 50–90°F, with fan switch	255350
	Locking cover	Option CM1	257464
CL22	Two-stage thermostat	24V, digital, with fan switch	220630
	Locking cover	Option CM1B	257463
CL90	Thermostat	BACnet-capable	1011394
IT13		Unit-mounted	RZ234433

Relay Kits for Multiple Unit Control (Options CL31 and CL32)

NOTES:

- There are two relay kit options for controlling up to five units: CL31 for controlling two units and CL32 for controlling up to three additional units.
- Refer to the relay kit manual provided with the kit for components and installation instructions.

Table 8. Relay Kits		
Option*		
CL31 (208V, 240V)	CL31 (480V)	CL32
Kit PN		
1042927	1042928	1041287

*Option CL31 includes components for one control unit and one additional unit. Option CL32 includes components for each additional non-control unit.

Thermostat Bracket Kit (Option CM3)

NOTE: Remove and save the existing cabinet screws as shown and use to secure the bracket (item 4).

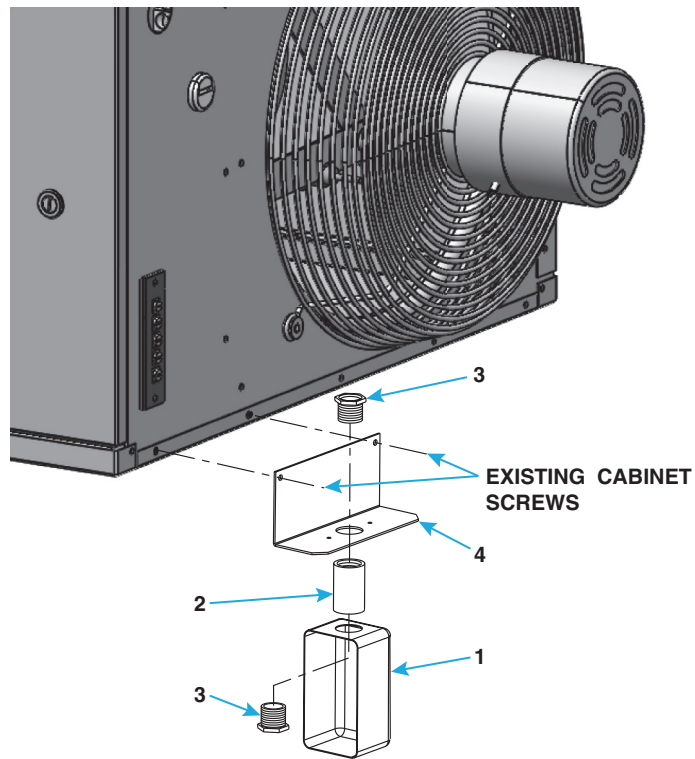


Figure 8. Thermostat Bracket Kit (Refer to [Table 9](#))

Table 9. Thermostat Bracket Kit (PN 197077) Components			
Item No.	Component	PN	Quantity
1	Electrical box, 2 x 4	17782	1
2	Coupling, conduit connector, 1/2	7447	1
3	Chase nipple, 1/2	3618	2
4	Bracket	197072	1
5	Screw, self-drilling (not used)	195249	1

