



325 COMMERCE DRIVE
 MT VERNON, OH 43050
 800-253-8236

SPECIFICATION DATA SHEET

DATE: 5-28-13
 PREPARED BY: RL

PAGE: 1

MODEL NO. 8603

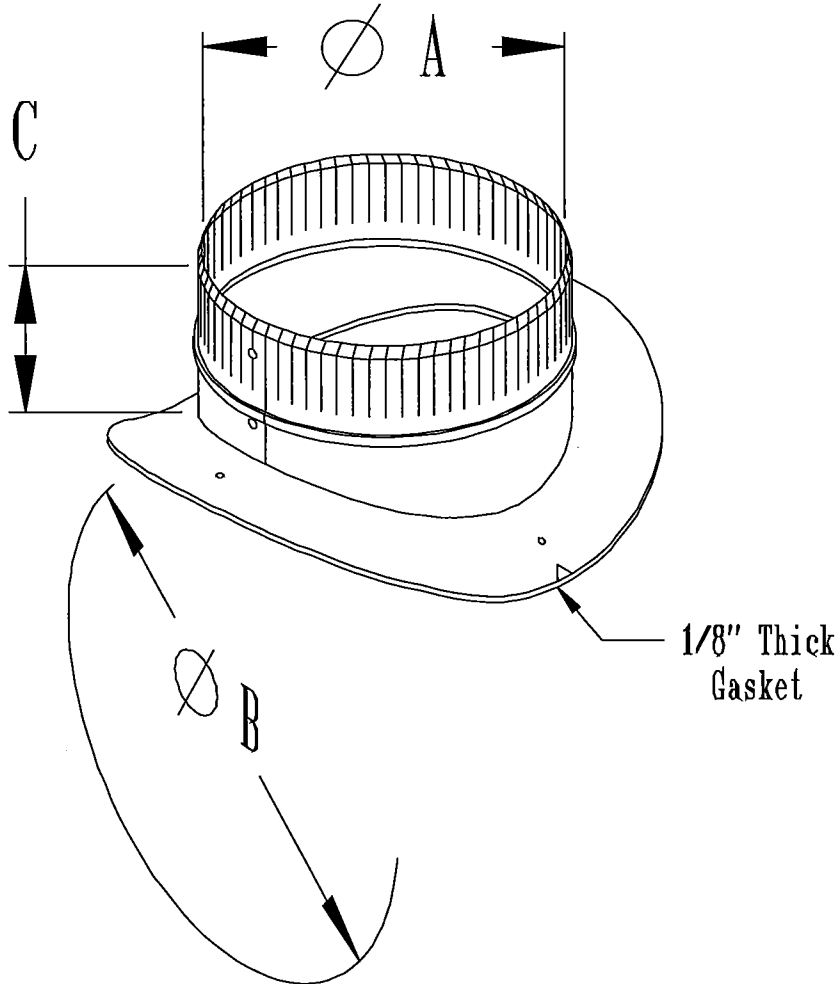
SADDLE TEE W/GASKET

STANDARD MODEL

DIMENSIONS

SIZE

A	Min Ø B	Max Ø B	C
5" on	12" to	20"	3"
6" on	10" to	20"	3"
6" on	22" to	50"	3"
6" on	6" to	7"	3"
6" on	8" to	9"	3"
7" on	14" to	20"	3"
7" on	7" to	8"	3"
7" on	9" to	12"	3"
8" on	8" to	9"	3"
8" on	10" to	12"	3"
8" on	14" to	20"	3"
8" on	22" to	36"	3"
9" on	12" to	14"	3"
9" on	16" to	20"	3"
10" on	12" to	14"	3"



MATERIAL SPECIFICATIONS

HOT DIPPED GALVANIZED STEEL.
 PER ASTM A 653 CSB.

ASSEMBLED WITH 1/8" ZINC COATED RIVETS

BODY & RING: 4" - 18" = 26 GAUGE MINIMUM
 HEAVIER GAUGES AVAILABLE

GASKET IS CROSSLINKED POLYETHYLENE.

OPTIONS

JOB: _____
 LOCATION: _____
 CONTRACTOR: _____
 ENGINEER: _____
 NOTES: _____



325 COMMERCE DRIVE
 MT VERNON, OH 43050
 800-253-8236

SPECIFICATION DATA SHEET

DATE: 5-28-13 PAGE: 2
 PREPARED BY: RL

MODEL NO. 8603

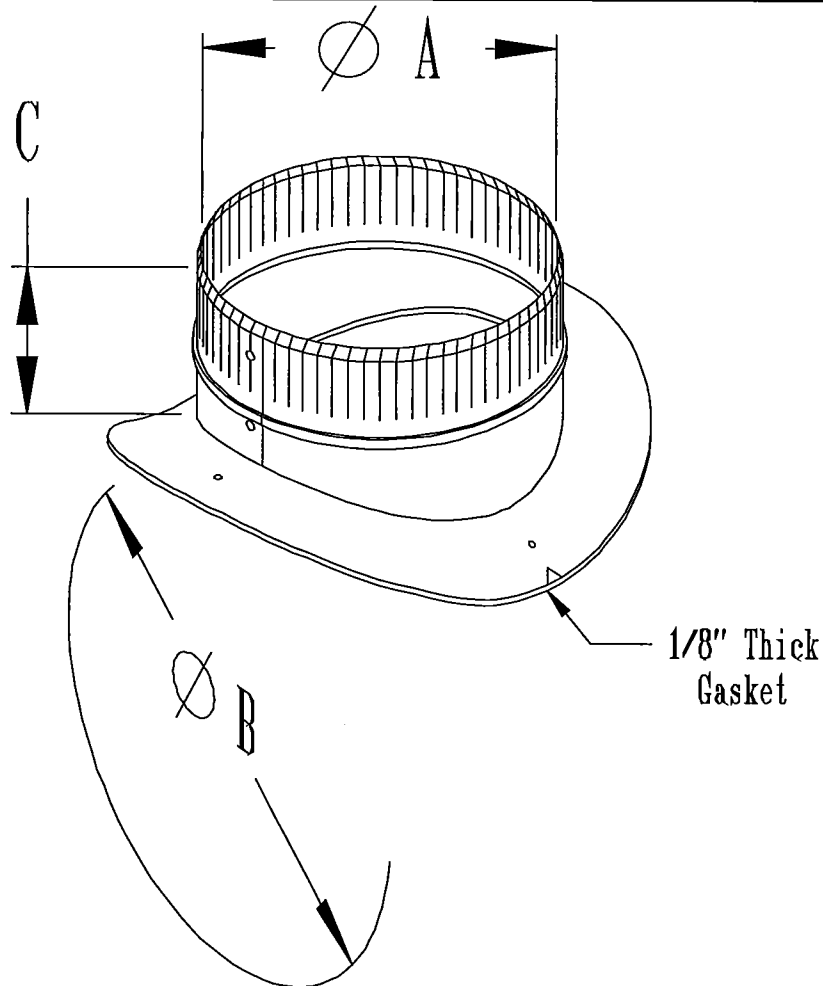
SADDLE TEE W/GASKET

STANDARD MODEL

DIMENSIONS

SIZE

A	Min Ø B	Max Ø B	C
10" on	16" to	20"	3"
10" on	22" to	30"	3"
12" on	12" to	12"	3"
12" on	14" to	16"	3"
12" on	18" to	22"	3"
12" on	24" to	32"	3"
14" on	16" to	18"	3"
14" on	14" to	14"	3"
14" on	16" to	18"	3"
14" on	20" to	24"	3"
14" on	26" to	34"	3"
16" on	18" to	20"	3"
16" on	22" to	26"	3"
18" on	20" to	22"	3"
18" on	24" to	28"	3"



MATERIAL SPECIFICATIONS

HOT DIPPED GALVANIZED STEEL.
 PER ASTM A 653 CSB.

ASSEMBLED WITH 1/8" ZINC COATED RIVETS

BODY & RING: 4" - 18" = 26 GAUGE MINIMUM
 HEAVIER GAUGES AVAILABLE

GASKET IS CROSSLINKED POLYETHYLENE.

OPTIONS

JOB: _____
 LOCATION: _____
 CONTRACTOR: _____
 ENGINEER: _____
 NOTES: _____