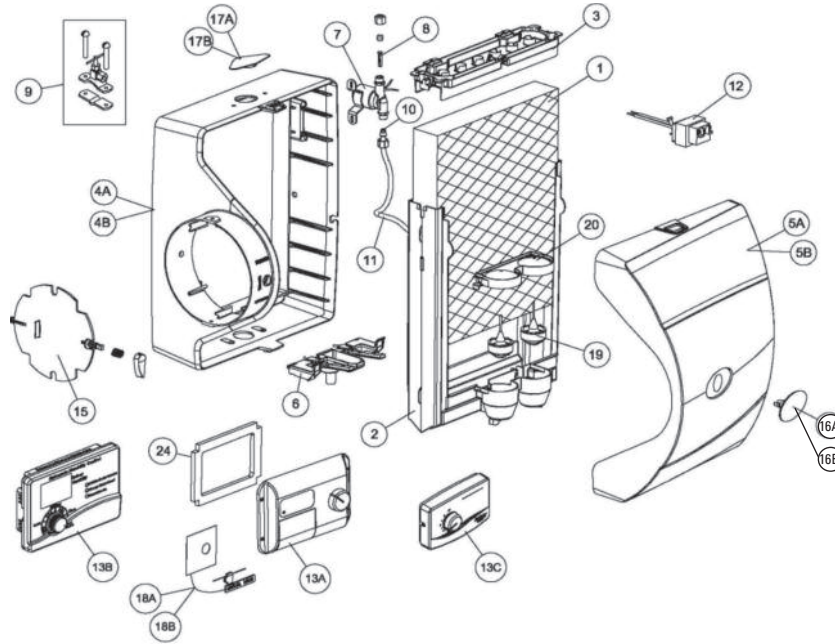




Your Partners in Comfort®

## Humidifiers Dealer Parts List

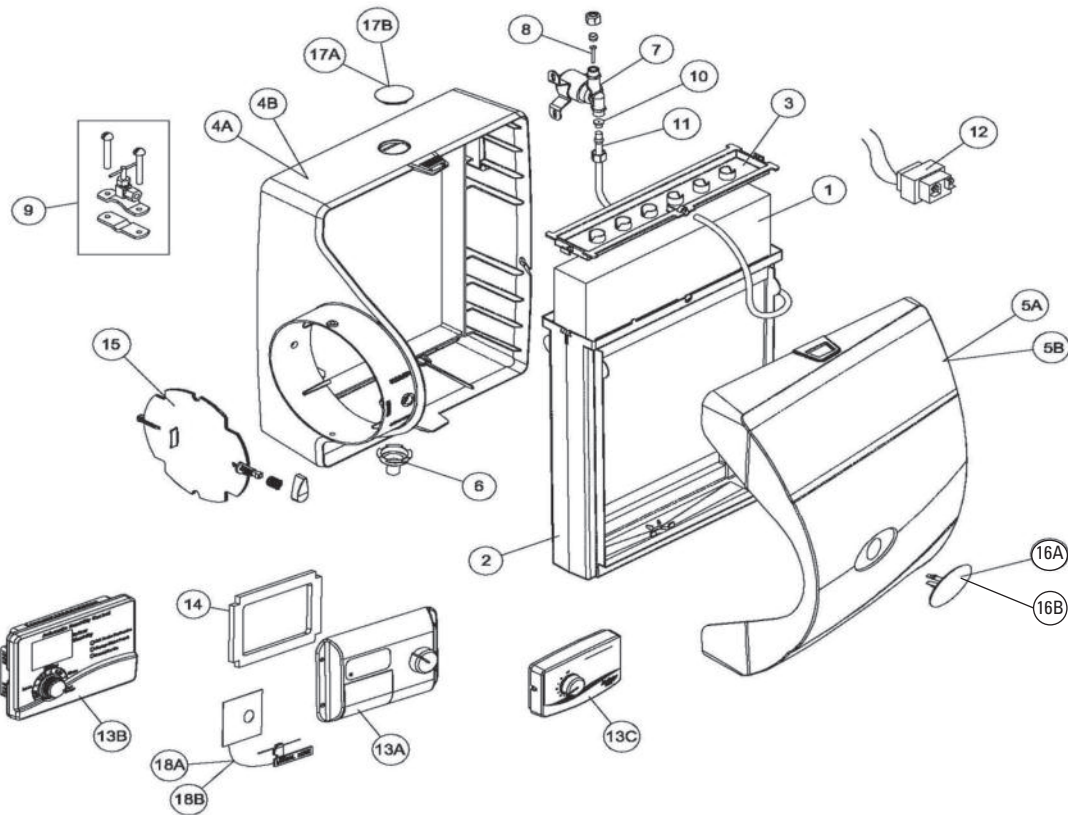
### Model 400/400M Humidifiers



NO.	BLUE/GRAY UNITS - PART NAME	QTY/CTN	MODEL 400	MODEL 400M
			PART NO.	PART NO.
4B	Base (blue/gray)	1	4734	4734
5B	Cover (blue/gray)	1	4728	4728
13B	Automatic Digital Humidifier Control	1	60	N/A
16B	Name Plate (blue/gray)	1	4880	4880
17B	Hole Plug (blue/gray)	1	4741	4741
18B	Resistor Case & Manual Mode Label	1	4737	N/A
			MODEL 400	MODEL 400M
NO.	ALMOND UNITS - PART NAME	QTY/CTN	PART NO.	PART NO.
4A	Base (almond)	1	4404	N/A
5A	Cover (almond)	1	4329*	N/A
13A	Automatic Humidifier Control	1	56	N/A
16A	Name Plate (almond)	1	4409	N/A
17A	Hole Plug (almond)	1	4408	N/A
18A	Resistor Case & Manual Mode Label	1	4336	N/A
NO.	COMMON PARTS	QTY/CTN	PART NO.	PART NO.
1	Water Panel Evaporator	10 (5-2 pks.)	45	45
2	Scale Control Insert w/Float Chamber	6	4403	4403
3	Water Distribution Tray	1	4407	4407
6	Water Level Sensor Assembly	1	4410	4410
7	Water Solenoid Valve (24 Volt)	1	4040	4040
8	In-line Strainer	12	4004	4004
9	Saddle Valve	1	4001	4001
10	Orifice (Yellow)	144 (12-12 pks.)	4231	4231
11	Feed Tube with Strainer, Orifice, Compression Sleeve and Nut	1	4335	4335
12	Transformer	1	4010	4010
15	Damper Assembly	1	4332	4332
19	Float Assembly	1	4406	4406
20	Float Cover	1	4405	4405
24	Automatic Humidifier Control Gasket	1	4305	N/A
OTHER		QTY/CTN	PART NO.	PART NO.
13C	Manual Humidifier Control	1	N/A	4655
	Outdoor Temperature Sensor	1	8052	N/A
	Current Sensing Relay	1	50	50
	Saddle Valve Adapter	6	4229	4229
	Shock Arrestor	1	4280	4280
	Maintenance Kits (includes parts 45 (2), 4004, 4403, 4406, 4407, 4335 and 4231)	1	4788	4788
	Blower Activation Relay	10	4851	4851

\* Obsolete replaced by 4728

## Model 500/500M & 600/600M Humidifiers



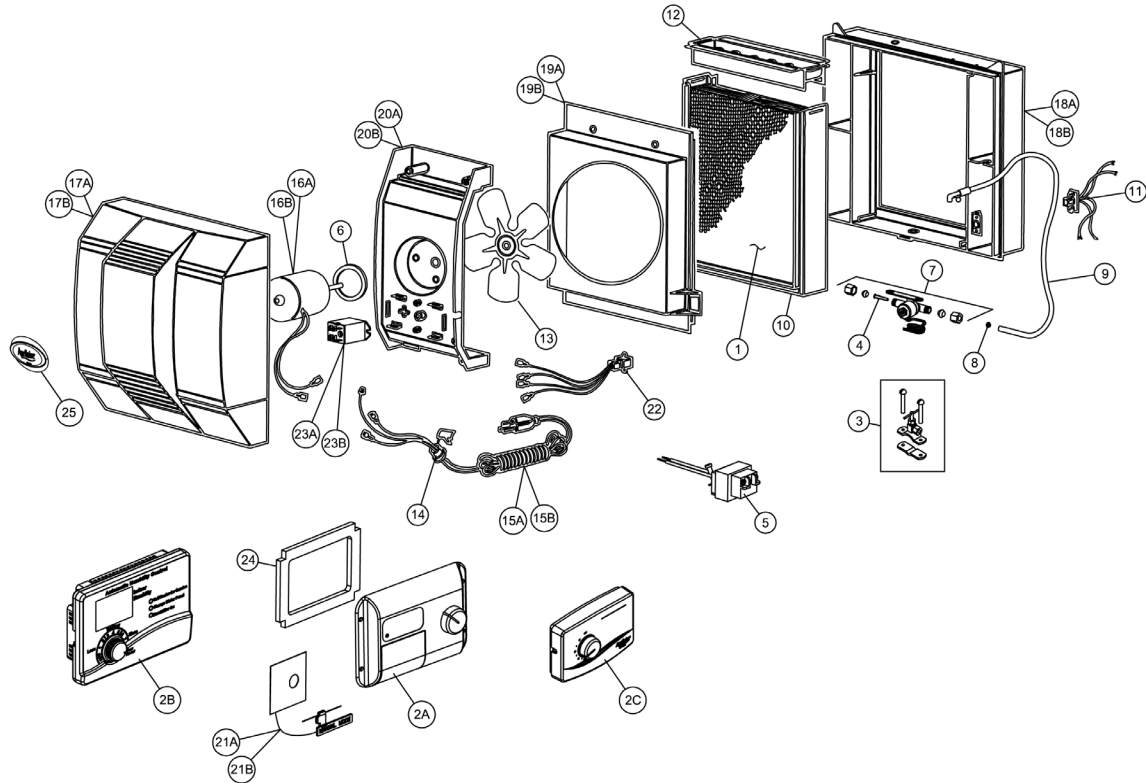
		MODEL 500, 500A & 500M		MODEL 600, 600A & 600M	
NO.	BLUE/GRAY UNITS - PART NAME	QTY/CTN	PART NO.	PART NO.	PART NO.
4B	Base (Blue/Gray)	1	4730		4731
5B	Cover (Blue/Gray)	1	4727		4728
13B	Automatic Digital Humidity Control	1	60		60
16B	Name Plate (Blue/Gray)	1	4881		4882
17B	Hole Plug (Blue/Gray)	1	4733		4733
18B	Resistor Case & Manual Mode Label	1	N/A		4737
		MODEL 500, 500A & 500M		MODEL 600, 600A & 600M	
NO.	ALMOND UNITS - PART NAME	QTY/CTN	PART NO.	PART NO.	PART NO.
4A	Base (Almond)	1	4641**		4328****
5A	Cover (Almond)	1	4642		4329****
13A	Automatic Humidifier Control	1	56		56
16A	Name Plate (Almond)	1	4643		4333
17A	Hole Plug (Almond)		Obsolete		
18A	Resistor Case & Manual Label	1	4336		4336
COMMON PARTS		QTY/CTN	PART NO.	PART NO.	PART NO.
1	Water Panel® Evaporator	10	10		35
2	Scale Control Insert	(4640-10) (4330-8)	4640		4330
3	Water Distribution Tray	1	4331		4331
6	Drain Spud	6	4223		4223
7	Water Solenoid Valve (24 Volt)	1	4040		4040
8	In-Line Strainer	12	4004		4004
9	Saddle Valve	1	4001		4001
10	Orifice (Yellow)	144 (12-12 pks.)	4231		4231
11	Feed Tube with Strainer, Orifice, Compression Sleeve and Nut	1	4335		4335
12	Transformer	1	4010		4010
14	Automatic Humidifier Control Gasket	1	N/A		4305
15	Damper Assembly	1	4332		4332
16	Name Plate	1	4643		4333
OTHER PARTS		QTY/CTN	PART NO.	PART NO.	PART NO.
13C	Manual Humidifier Control	1	4655		4655
	Outdoor Temperature Sensor (only available for automatic units)	1	8052		8052
	Current Sensing Relay	1	50		50
	Saddle Valve Adapter	6	4229		4229
	Shock Arrestor	1	4280		4280
	Maintenance Kits (includes parts 10, 4335, 4231, 4004, 4640, 4331 and 4223)	1	4792		N/A
	Maintenance Kits (includes parts 35, 4335, 4231, 4004, 4330, 4331 and 4223)	1	N/A		4839
	Blower Activation Relay	10	4851		4851

\*\*Obsolete replaced by 4730

\*\*\*Obsolete replaced by 4728

\*\*\*Obsolete replaced by 4731

# Model 700/700M, 768<sup>1</sup>, 760A<sup>1</sup> & 760<sup>1</sup> Humidifiers

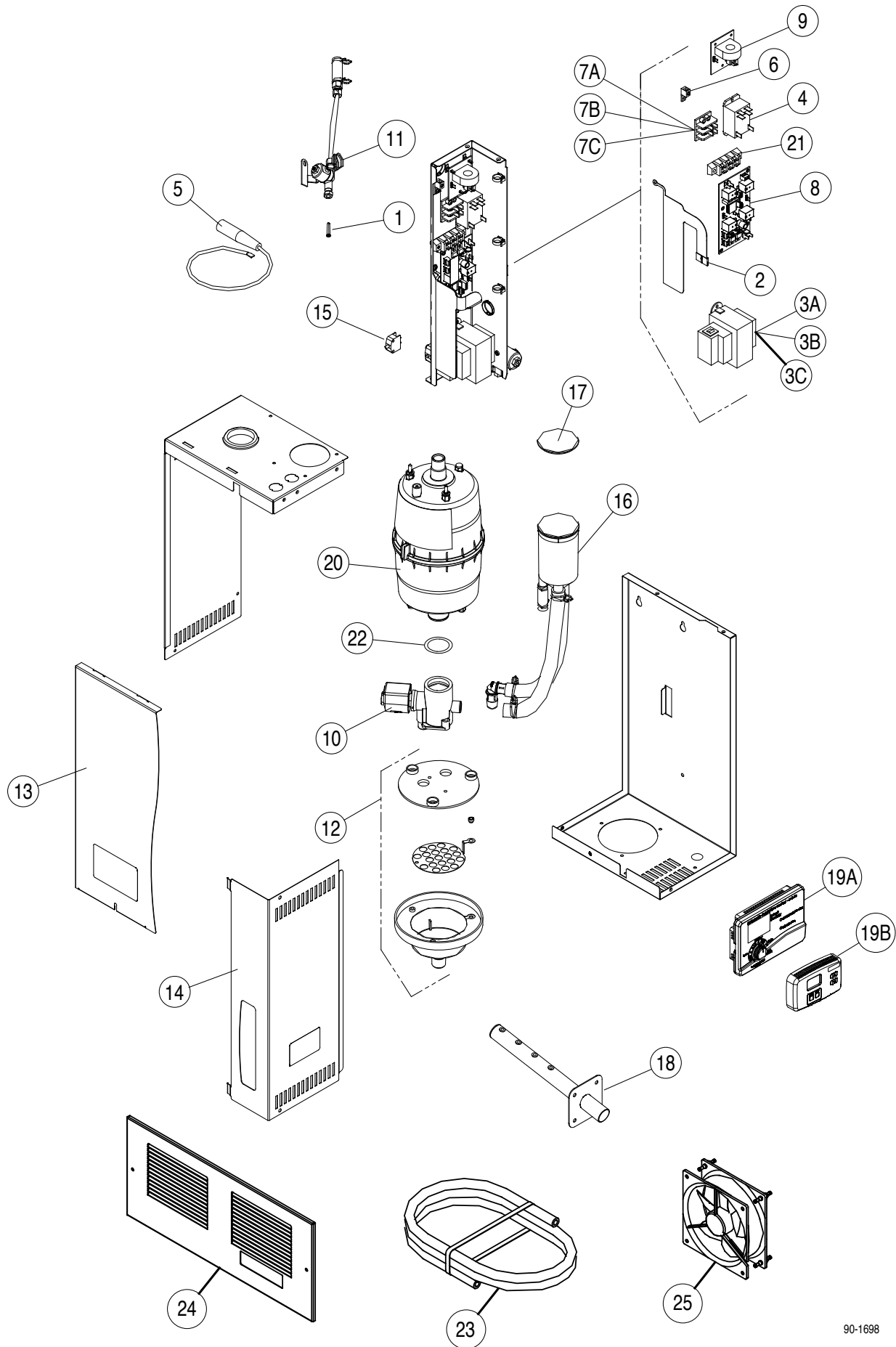


BLUE/GRAY UNITS			MODEL 700	MODEL 700M
NO.	PART NAME	QTY/CTN	PART NO.	PART NO.
2B	Automatic Digital Humidifier Control	1	60	N/A
5	Transformer	1	4010	4010
16B	Motor (Blue/Gray)	1	4670	4670
17B	Cover (Blue/Gray)	1	4729	4729
18B	Base (Blue/Gray)	1	4732	4732
19B	Orifice Plate (Blue/Gray)	1	4735	4735
20B	Bridge	1	4736	4736
21B	Resistor Case & Manual Mode Label	1	4737	N/A
22B	Female Disconnect Assembly	1	4739	4739
23B	Relay	1	4740	4740
ALMOND UNITS			MODEL 700	MODEL 700, 768, 760A, 760
NO.	PART NAME	QTY/CTN	PART NO.	PART NO.
2A	Automatic Humidifier Control	1	N/A	56
16A	Motor (Almond)	1	N/A	4237
17A	Cover (Almond)	1	N/A	4242 (Obsolete replaced with 4729)
18A	Base (Almond)	1	N/A	4245 (Obsolete replaced with 4732)
19A	Orifice Plate (Almond)	1	N/A	4244 (Obsolete replaced with 4735)
20A	Bridge	1	N/A	4243 (Obsolete replaced with 4736)
21A	Resistor Case & Manual Mode Label	1	N/A	4336
22A	Female Disconnect Assembly	1	N/A	4239
23A	Circuit Board	1	N/A	4238
24	Automatic Humidifier Control Gasket	1	N/A	4305
COMMON PARTS			PART NO.	PART NO.
NO.	PART NAME	QTY/CTN	PART NO.	PART NO.
1	Water Panel® Evaporator	10	35	35
3	Saddle Valve	1	4001	4001
4	In-line Strainer	12	4004	4004
6	Cork Isolator	6	4031	4031
7	Water Solenoid Valve (24 Volts)	1	4040	4040
8	Orifice (Blue)	144 (12-12 pks.)	4232	4232
9	Feed Tube with Strainer, Orifice, Compression Sleeve and Nut	1	4235	4235
10	Scale Control Insert	12	4236	4236
11	Male Disconnect Assembly	1	4240	4240
12	Water Distribution Tray	1	4246	4246
13	Fan Blade	1	4247	4247
14	Electrical Grommet	1	4249	4249
15	Power Cord (Blue/Gray)	1	4664	4664
25	Name Plate Assembly	1	4968	4968
OTHER PARTS			PART NO.	PART NO.
NO.	PART NAME	QTY/CTN	PART NO.	PART NO.
2C	Manual Humidifier Control	1	N/A	4655
	Outdoor Temperature Sensor (only available for automatic units)	1	8052	8052
	Current Sensing Relay	1	50	50
	Saddle Valve Adapter	6	4229	4229
	Shock Arrestor	1	4280	4280
	Maintenance Kits (includes parts 35, 4236, 4235, 4246, 4232 and 4004)	1	4750	4750
	Blower Activation Relay	10	4851	4851

<sup>1</sup>Full units no longer available, parts only.

**Model 800/865 Residential Steam Humidifiers**

**(Release Date Before November 2014)**



# Model 800/865 Residential Steam Humidifiers

**(Release Date Before November 2014)<sup>3</sup>**

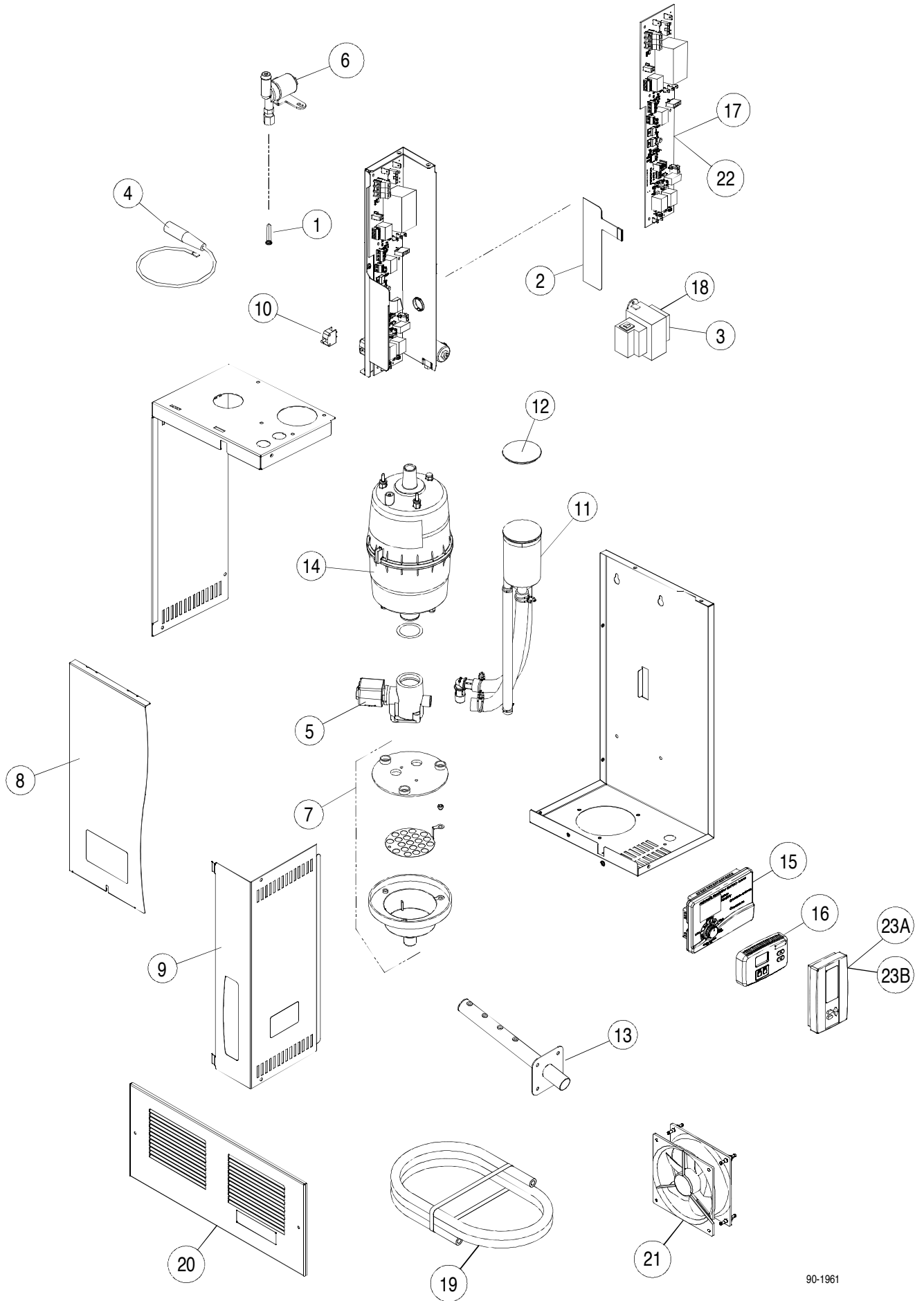
NO.	PART NAME	QTY/CTN	PART NO.
1	Fill Valve In-line Strainer	12	4004
2	Membrane Switch	1	4975
3A	Transformer, 120/24 VAC for 11.5 amp unit* & fill valve contained within housing	1	4976
3B	Transformer, Universal for Model 865 with fill valve inlet extending from bottom of housing (75 VA)	1	5306
3C	Transformer, Universal for Model 800 with fill valve inlet extending from bottom of housing (40 VA)	1	5529
4	Power Relay	1	4977
5	Electrode Wire	1	4978
6	Ground Lug	1	4979
7A	Input Power Terminal Block 3-post for 11.5 amp unit* and fill valve contained within housing	1	4980
7B	Input Power Terminal Block 2-post for 11.5 amp unit* and fill valve inlet extending from bottom of housing	1	5307
7C	Input Power Terminal Block 2-post for 11.5/16.0 amp unit <sup>2</sup>	1	5354
8	Internal Control Circuit Board	1	4981
9	Current Sensing Circuit Board	1	4982
10	Drain Valve	1	4983
11	Inlet Fill Valve, Water Feed Tube and Clamps	1	5531
12	Drain Cup Assembly	1	4985
13	Front Panel and Screw	1	4986
14	Electrical Access Panel and Screw	1	4987
15	Safety Interlock Switch	1	4988
16	Fill Cup and Hoses	1	4989
17	Fill Cup Cap	1	4990
18	Steam Dispersion Tube and Screws	1	4991
19A	Automatic Digital Control	1	62
19B	Digital Manual Control (Wall Mounted)	1	65
20	Steam Canister and O-Ring	6	80
21	Transformer terminal block for unit with fill valve inlet extending from bottom of housing.	1	5308
22	O-Ring for Steam Canister	6	5258
23	Condensate Tubing with Wire Ties	1	4997
24	Grille	1	4998
25	Fan	1	4999
<b>OTHER PARTS</b>			
	Saddle Valve	1	4001
	Drain Trap Assembly	1	4028
	Manual Humidistat and Blower Activation Relay	1	4993
	Airflow Proving Switch	1	4592
	High Humidity Limit Switch	1	4594
	Condensate Pump (Rated for 160 <sup>0</sup> F)	1	4856
	Steam Hose (6ft) and Clamps	1	4973
	Drain Hose (10 ft.) and Clamps	1	4974
	Dispersion Tube Mounting Bracket for 8" Round Hi-Velocity Duct	1	5405

<sup>2</sup>See data label on side of humidifier to determine if unit draws 11.5 amps or 11.5/16.0 amps.

<sup>3</sup>Full Units of Models 800/865 with a release date before November 2014 no longer available, parts only.

**Model 800/801/865/866 Residential Steam Humidifiers**

**(Release Date of Model 800/865 after November 2014)**



## Model 800/801/865/866 Residential Steam Humidifiers

**(Release Date of Model 800/865 after November 2014)**

NO.	PART NAME	QTY/CTN	PART NO.
1	Fill Valve In-line Strainer	12	4004
2	Membrane Switch	1	5532
3	Transformer, Universal for Model 865, 866 (75 VA)	1	5306
4	Electrode Wire	1	4978
5	Drain Valve	1	4983
6	Inlet Fill Valve, Water Feed Tube and Clamps	1	5531
7	Drain Cup Assembly	1	4985
8	Front Panel and Screw	1	4986
9	Electrical Access Panel and Screw	1	4987
10	Safety Interlock Switch	1	4988
11	Fill Cup and Hoses	1	5590
12	Fill Cup Cap	1	4990
13	Steam Dispersion Tube and Screws	1	4991
14	Steam Canister and O-Ring	6	80
15	Automatic digital Control for Model 800	1	62
16	Digital Manual Humidistat (Wall Mounted)	1	65
17	Control Board, Model 800, 865	1	5530
18	Universal Transformer, Model 800, 801 (40 VA)	1	5529
19	Condensate Tubing with Wire Ties	1	4997
20	Grille	1	4998
21	Fan	1	4999
22	Modulating Control board, Model 801, 866	1	5554
23A	Automatic Digital Modulating control (ADMC) for Model 801	1	63
23B	Automatic Digital Modulating control (ADMC) for Model 866	1	5558
<b>OTHER PARTS</b>			
	Saddle Valve	1	4001
	Drain Trap Assembly	1	4028
	Airflow Proving Switch	1	4592
	High Humidity Limit Switch	1	4594
	Relay, ADHC	1	4851
	Condensate Pump (Rated for 160 <sup>0</sup> F)	1	4856
	Steam Hose (6ft) and Clamps	1	4973
	Drain Hose (10 ft.) and Clamps	1	4974
	Duct Sensor, Used with Model 63 Only	1	5559
	Dispersion Tube Mounting Bracket for 8" Round Hi-Velocity Duct	1	5405
	Fan Pack includes 75VA transformer and Model 65 control. Part No. 4028 drain trap assembly sold separately.	1	5658

New!

### Competitive Canister/Cylinder

PART NAME	QTY/CTN	PART NO.
Honeywell® HM700ACYL2 and Nortec® 202 Replacement Steam Humidifier Cylinder	1	202AAC
Nortec® 204 Replacement Steam Humidifier Cylinder	1	204AAC
Nortec® 303 Replacement Steam Humidifier Cylinder	1	303AAC
Nortec® 311 Replacement Steam Humidifier Cylinder	1	311AAC
Nortec® 321 Replacement Steam Humidifier Cylinder	1	321AAC
Nortec® 411 Replacement Steam Humidifier Cylinder	1	411AAC
Nortec® 421 Replacement Steam Humidifier Cylinder	1	421AAC
Nortec® 605 Replacement Steam Humidifier Cylinder	1	605AAC
Nortec® 607 Replacement Steam Humidifier Cylinder	1	607AAC
Nortec® 621 Replacement Steam Humidifier Cylinder	1	621AAC

New!

New!

New!

New!

New!

New!

New!

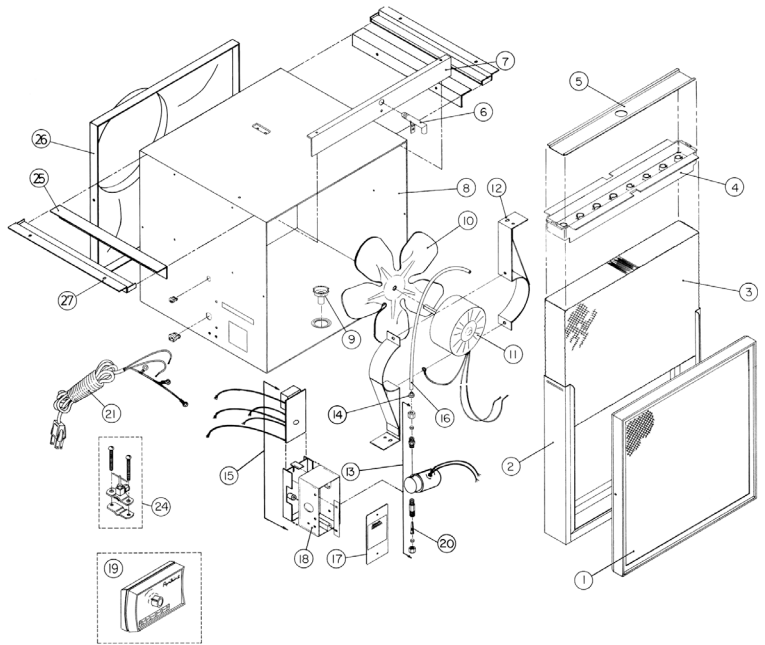
New!

New!

New!

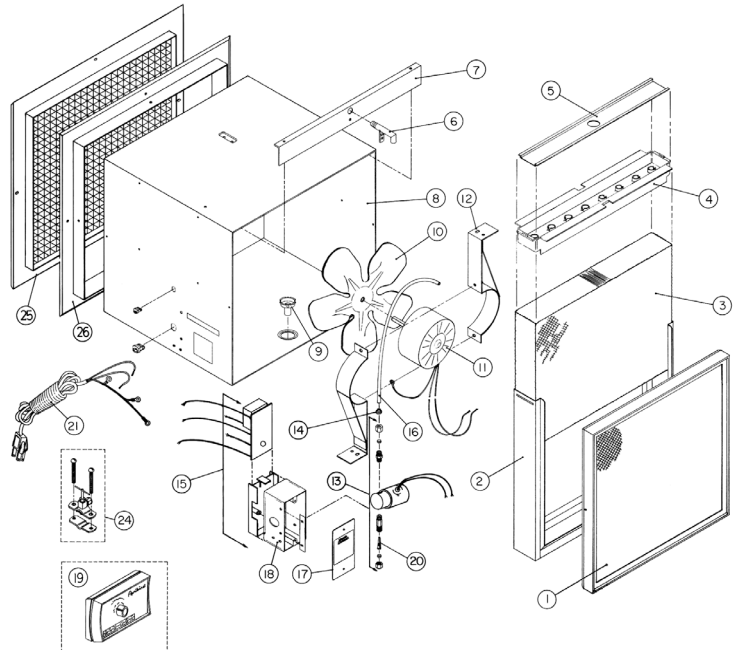
## Model 350 Humidifiers

NO.	PART NAME	QTY/CTN	PART NO.
1	Inlet Frame Almond	1	4206
	Inlet Frame Gray	1	4852
2	Scale Control Insert	12	4181
3	Water Panel® Evaporator	10	35
4	Distribution Tray	1	4182
5	Distribution Tray Cover	1	4183
6	Nozzle	1	4184
7	Baffle	1	4185
8	Housing Almond	1	4186
	Housing Gray	1	4858
9	Drain Spud	1	4187
10	Fan Blade	1	4188
11	Motor	1	4189
12	Motor Brackets	1 Set	4190
13	Solenoid Valve (Plastic Junction Box)	1	4191
14	Orifice (Blue)	144 (12-12 pks.)	4232
15	120 Volt Humidifier Control - Replaces 4013	1	4258
16	Feed Tube with Strainer, Orifice, Compression Sleeve and Nut	1	4079
17	Junction Box Cover	1	4193
18	Junction Box	1	4194
19	Humidistat	1	4655
20	In-Line Strainer	12	4004
21	Power Cord	1	4286
22	Saddle Valve	1	4001
23	Angle Support Almond	2	4813
	Angle Support Gray	2	4875
24	Outlet Transition Almond	1	4201
	Outlet Transition Gray	1	4854
25	Joist Bracket Almond	2	4202
	Joist Bracket Gray	2	4874
<b>OTHER PARTS</b>			
	Screws and Clips Almond	1	4203
	Screws and Clips Gray	1	4850
	Saddle Valve Adapter	6	4229
	Shock Arrestor	1	4280



## Model 360 Humidifiers

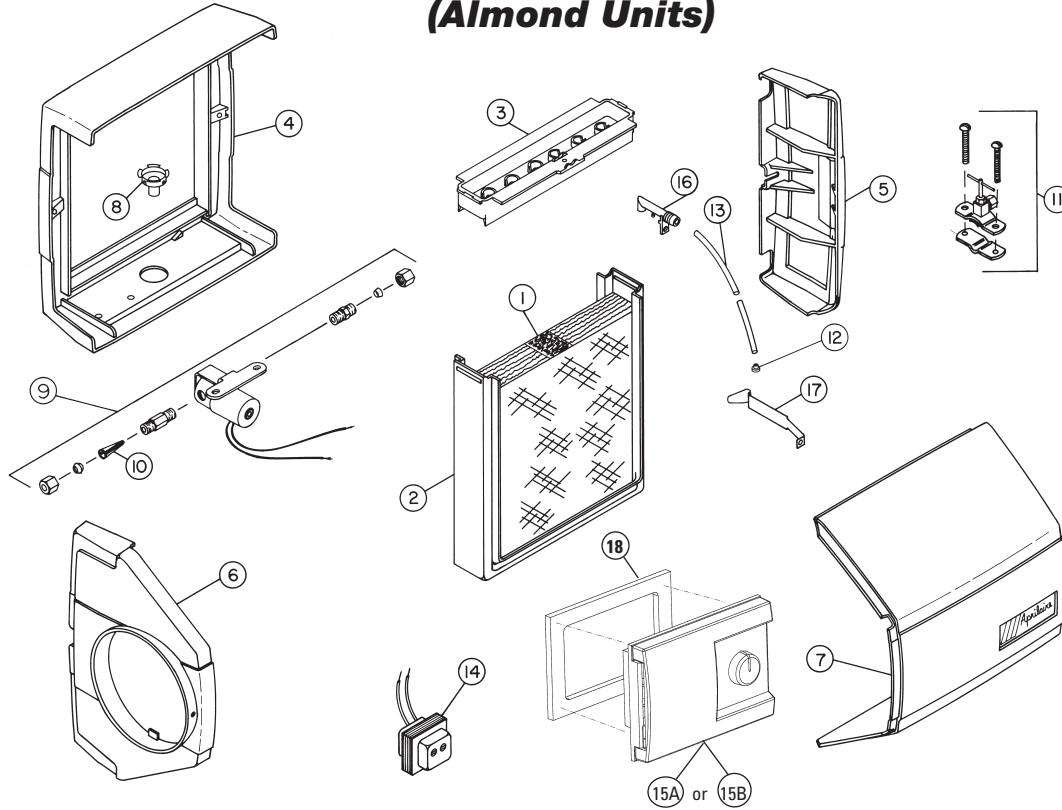
NO.	PART NAME	QTY/CTN	PART NO.
1	Inlet Frame Almond	1	4206
	Inlet Frame Gray	1	4852
2	Scale Control Insert	12	4181
3	Water Panel® Evaporator	10	35
4	Distribution Tray	1	4182
5	Distribution Tray Cover	1	4183
6	Nozzle	1	4184
7	Baffle	1	4185
8	Housing Almond	1	4198
	Housing Gray	1	4858
9	Drain Spud	1	4187
10	Fan Blade	1	4215
11	Motor	1	4199
12	Motor Brackets	1 Set	4190
13	Solenoid Valve (Plastic Junction Box)	1	4191
14	Orifice (Blue)	144 (12-12 pks.)	4232
15	120 Volt Humidifier Control - Replaces 4013	1	4258
16	Feed Tube with Strainer, Orifice, Compression Sleeve and Nut	1	4079
17	Junction Box Cover	1	4193
18	Junction Box	1	4194
19	Humidistat	1	4655
20	In-Line Strainer	12	4004
21	Power Cord	1	4286
22	Saddle Valve	1	4001
23	Outlet Grille Almond	1	4204
	Outlet Grille Gray	1	4859
24	Inlet Wall Frame Almond	1	4205
	Inlet Wall Frame Gray	1	4860
<b>OTHER PARTS</b>			
	Screws and Clips Almond	1	4203
	Screws and Clips Gray	1	4850
	Saddle Valve Adapter	6	4229
	Shock Arrestor	1	4280





**Model 558<sup>1</sup>, 550A<sup>1</sup>, 550<sup>1</sup>, 568<sup>1</sup>, 560A<sup>1</sup>, 560<sup>1</sup> Humidifiers**

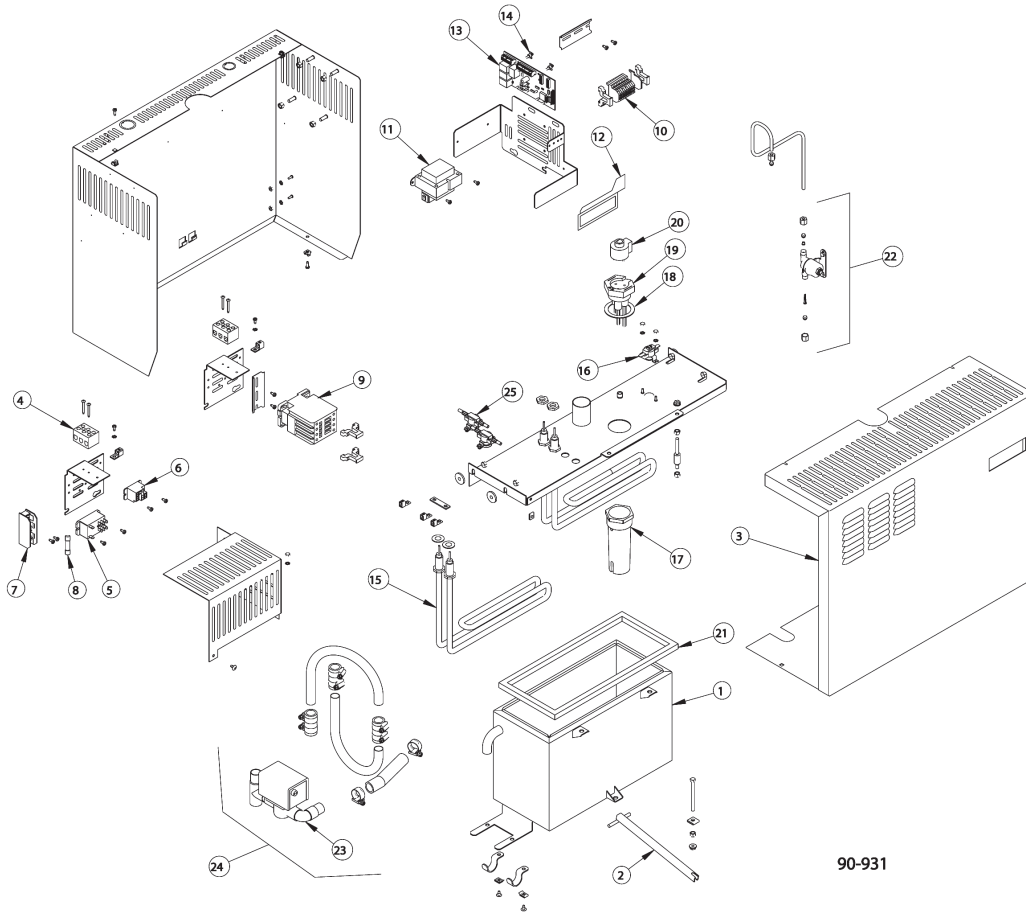
**(Almond Units)**



NO.	PART NAME	QTY/CTN	MODEL 558/550A/550	MODEL 568/560A/560
			PART NO.	PART NO.
1	Water Panel® Evaporator	10	10	35
2	Scale Control Insert	(4217-10) (4236-12)	4217	4236
3	Water Distribution Tray	1	4218	4277
4	Base	1	4219	4262 (Obsolete)
5	End Panel	1	4220	4263 (Obsolete)
6	Duct Panel	1	4221	4264 (Obsolete)
6	Duct Panel for Integral Damper	1	4526	N/A
7	Cover With Latch And Label	1	4222	4265 (Obsolete)
8	Drain Spud	6	4223	4223
9	Water Solenoid Valve (24 Volt)	1	4040	4040
10	In-Line Strainer	12	4004	4004
11	Saddle Valve	1	4001	4001
12	Orifice (Yellow)	144 (12-12 pks.)	4231	4231
13	Feed Tube with Strainer, Orifice, Compression Sleeve and Nut	1	4226	4266
14	Transformer	1	4010	4010
15A	Automatic Humidifier Control	1	56	56
15B	Manual Humidistat	1	4655	4655
16	Nozzle	1	4184	4184
17	Cover Latch Spring	1	4225	4225
18	Automatic Humidifier Control Gasket	1	4305	4305
<b>OTHER PARTS</b>			<b>QTY/CTN</b>	<b>PART NO.</b>
	Outdoor Temperature Sensor	1	8052	8052
	Current Sensing Relay	1	50	50
	Saddle Valve Adapter	6	4229	4229
	Shock Arrestor	1	4280	4280
	Damper Assembly	1	4332	N/A
	Maintenance Kits (includes parts 10, 4226, 4231, 4004, 4217, 4218 and 4223)	1	4793	N/A
	Maintenance Kits (includes parts 35, 4266, 4231, 4004, 4236, 4277 and 4223)	1	N/A	4837
	Blower Activation Relay	10	4851	4851
	Humidistat Adapter Plate	1	4039	N/A

<sup>1</sup>Full units no longer available, parts only.

# Model 1150<sup>1</sup>, 1160<sup>1</sup> & 1180<sup>1</sup> Steam Humidifiers



NO.	PART NAME	QTY/CTN	PART NO.
1	Steam Chamber, 1150	1	4560
	Steam Chamber, 1160	1	4561
	Steam Chamber, 1180	1	4627
2	Quick Release Handle, 1150	1	4562
	Quick Release Handle, 1160	1	4563
	Quick Release Handle, 1180	1	4628
3	Cover 1150 & 1160	1	4564
	Cover 1180	1	4629
4	Terminal Block	1	4565
5	Relay, AC Safety (1150)	1	4566
6	Relay, DC Control (1150)	1	4567
7	Fuse Holder (1150)	1	4568
8	Fuse, 25 Amp (1150)	1	4569
9	Contactora (1160 & 1180)	1	4570
10	Terminal	1	4571
11	Transformer	1	4572
12	Overlay & Switch	1	4573
13	Internal Control Board	1	4574
14	Standoff	1	4575
15	Heater (1150 & 1160)	1	4576
	Heater (1180)	1	4630
16	Over-Temperature Thermostat	1	4577
17	Probe Housing	1	4578

NO.	PART NAME	QTY/CTN	PART NO.
18	Water Level Probe Gasket	1	4579
19	Water Level Probe Assy	1	4580
20	Plug	1	4581
21	Gasket, 1150 Steam Chamber	1	4582
	Gasket, 1160 Steam Chamber	1	4583
	Gasket, 1180 Steam Chamber	1	4631
22	Fill Valve	1	4584
23	Drain Valve	1	4585
24	Drain Assy	1	4587
25	Thermal Cutout	1	4595
<b>OTHER PARTS</b>			
	Wiring Harness	1	4637
	Hose, 1-1/2" Dia. (1150 & 1160)	1	4588
	Hose, 2" Dia. (1180)	1	4632
	Distribution Tube, 1-1/2" Dia x 10" (1150)	1	4589
	Distribution Tube, 1-1/2" Dia x 16" (1160)	1	4590
	Distribution Tube, 2" Dia x 28" (1180)	1	4633
	Duct Plate (1150 & 1160)	1	4591
	Duct Plate (1180)	1	4636
	Airflow Switch	1	4592
	Automatic Steam Humidifier Control	1	57
	Hanging Bracket	1	4593
	High Humidity Limit Switch	1	4594

<sup>1</sup>Full units no longer available, parts only.

We reserved the right to make modifications as deemed necessary in line with our policy to continue supplying the finest equipment available.

All prices are F.O.B. Poynette, WI, and subject to change without notice.

Orders may be sent via EDI, Fax, email (purchaseorders@aprilair.com), Mail or Phone. If EDI, call us for initial Setup.

**Aprilaire**

P.O. Box 1467 • Madison, WI 53701-1467 • Phone: 800/334-6011 • Fax: 608/257-4357 • www.aprilairpartners.com