

Specification Submittal Data / Panasonic Precision Spot Ventilation Fan/Light

Description:

Ventilating fan/light shall be Low Noise ceiling mount type rated for continuous run. Fan/light shall be ENERGY STAR® rated and certified by the Home Ventilation Institute (HVI). Evaluated by Underwriters Laboratories and conform to both UL and cUL safety standards.

Motor/Blower:

- Enclosed brushless ECM motor technology rated for continuous run.
- Fan ventilation rates shall be manually adjustable for 50-80-110 CFM.
- Power rating shall be 120 volts and 60 Hz.
- Fan shall be UL and cUL listed for tub/shower enclosure when GFCI protected and used in insulated ceiling (TYPE I.C.).
- Motor equipped with thermal-cutoff fuse.
- Removable with permanently lubricated plug-in motor.

Housing:

- 26 gauge Zinc-Aluminum-Magnesium (ZAM) housing.
- Integrated dual 4" or 6" diameter duct adapter.
- Built-in damper reduces back drafting and helps with blower door testing.
- Built-in metal flange provides blocking for penetrations through drywall as an Air Barrier, and assists with the decrease in leakage in the Building Envelope during blower door testing.
- Articulating and expandable installation bracket up to 24".

Ceiling Radiation Damper:

- WhisperCeiling® DC™ is UL listed for use with the Panasonic Ceiling Radiation Damper (Model #: PC-RD05C5, sold separately).

Grille:

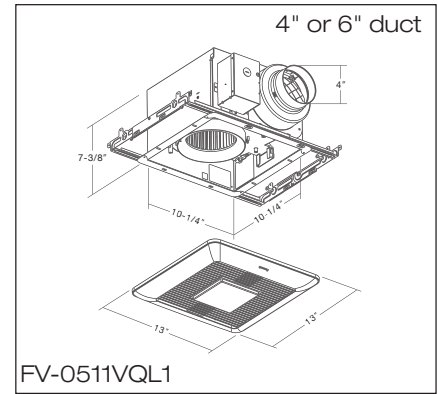
- Attractive design using Poly Pro material.
- Attaches directly to housing with torsion springs.

Warranty:

- ECM Motor: 6 Years from original purchase date.
- LED Panel: 5 Years from original purchase date.
- ALL Parts: 3 Years from original purchase date.

Architectural Specifications:

Ventilation fan/light shall be UL and cUL listed for ceiling mount and tub/shower enclosure when GFCI protected. Fan/light shall also be ENERGY STAR® certified, with a built-in speed selector. Choose from 50-80-110 CFM and no more than <0.3/<0.3/0.4 sone as certified by the Home Ventilating Institute (HVI) at 0.1 static pressure in inches water gauge (w.g.) with no less than 50-83-110 CFM and no more than 0.4 / 0.6 / 0.9 sone as certified by HVI at 0.25 w.g., with 44 / 82 / 86 CFM at 0.375 w.g. Power Consumption shall be no greater than 3.9/6.0/10.9 watts at 0.1 w.g., 7.1 / 11.0 / 16.1 watts at 0.25 w.g., and 10.0 / 14.6 / 16.8 watts at 0.375 w.g. Efficiency should be no less than 14.1 / 13.7 / 10.3 CFM/watt at 0.1 w.g., 7.8 / 7.7 / 7.0 CFM/watt at 0.25 w.g., and 4.4 / 5.6 / 5.1 CFM/watt at 0.375 w.g. The motor shall be totally enclosed with a brushless ECM motor engineered to run continuously. ECM motor speed shall automatically increase when the fan senses static pressure to maintain selected CFM. Power rating shall be 120V/60Hz. Duct



diameter shall be no less than 4", inclusive of an integrated dual 4" or 6" duct adapter. Lamp shall be of the LED dimmable type and be no less than (1) 10W, ENERGY STAR® 2.0 certified, JA-8 compliant for CA Title 24, LED chip panel that maintains 50,000 hours rated average life and incorporates a <1W LED night light. Fan can be used to comply with ASHRAE 62.2, LEED, EarthCraft, IAP, California Title-24 and WA Ventilation Code.

Light:



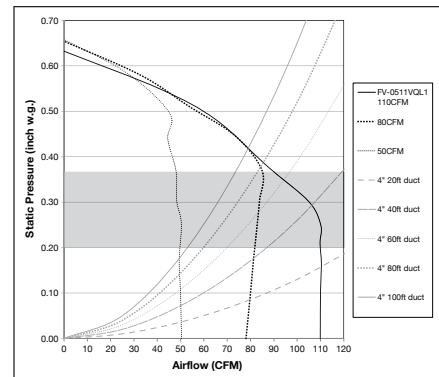
(1) 10 Watt Dimmable LED chip panel/3000 Kelvin Warm White/90CRI/700 lumens/70 LPW/ ENERGY STAR 2.0 certified/JA-8 compliant for CA Title 24/50,000 hours rated average life /<1W LED night light.

Specifications: WhisperCeiling DC FV-0511VQL1		4"			4"			4"			
Ventilation Fan Characteristics (HVI Certified Data)	Static Pressure in inches w.g.	0.1	0.25	0.375	0.1	0.25	0.375	0.1	0.25	0.375	
	Air Volume (CFM)	110	110	86	80	83	82	50	50	44	
	Noise (sones)	0.4	0.9	-	<0.3	0.6	-	<0.3	0.4	-	
	Power Consumption (watts)	10.9	16.1	16.8	6.0	11.0	14.6	3.9	7.1	10.0	
	Energy Efficiency (CFM/Watt)	10.3	7.0	5.1	13.7	7.7	5.6	14.1	7.8	4.4	
	Speed (RPM)	1016	1268	1398	867	1185	1370	768	1097	1315	
	Current (amps)	0.18	0.26	0.26	0.11	0.19	0.24	0.07	0.12	0.17	
	MAX. Current (amps)	0.30									
	Power Rating (V/Hz)	120/60									
	ENERGY STAR rated	Yes									

*Industry research indicates static pressure in typical installations ranges from 0.20" to 0.375".

For complete Installation Instructions visit us.panasonic.com/ventfans

Performance Curve 4" Duct



Model	Quantity	Comments	Project:
			Location:
			Architect:
			Engineer:
			Contractor:
			Submitted by:
			Date:

Panasonic Life Solutions Company of America
IAQ Division
Two Riverfront Plaza
Newark, NJ 07102



ECM Motor Technology

When the fan senses static pressure, its speed is automatically increased to ensure that the desired CFM is not compromised, which allows the fan to perform as rated.

us.panasonic.com/ventfans



IAQ19160ST

