



SPARE PARTS EXPLODED VIEW GAS-WALL CONDENSING BOILERS

Model

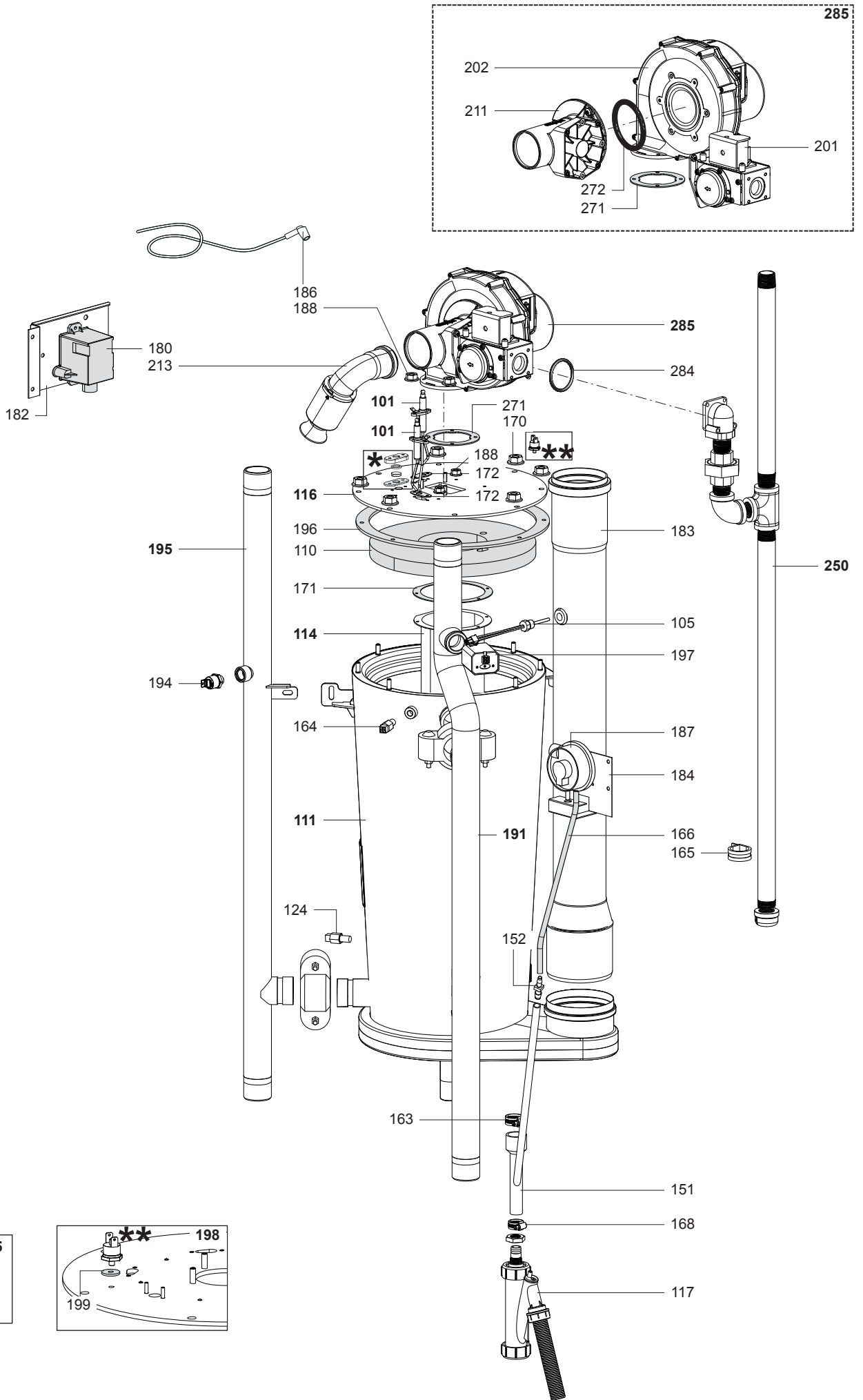
TFTN 285-399

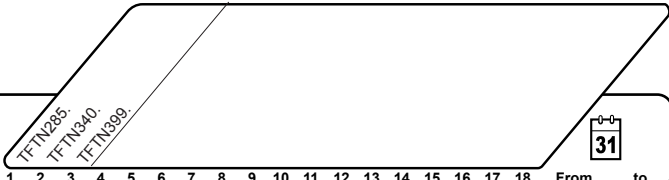
R8219041-02 - 03/08/2023

TFTN285-399

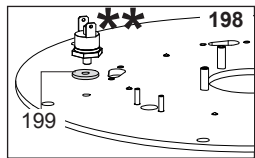
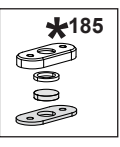
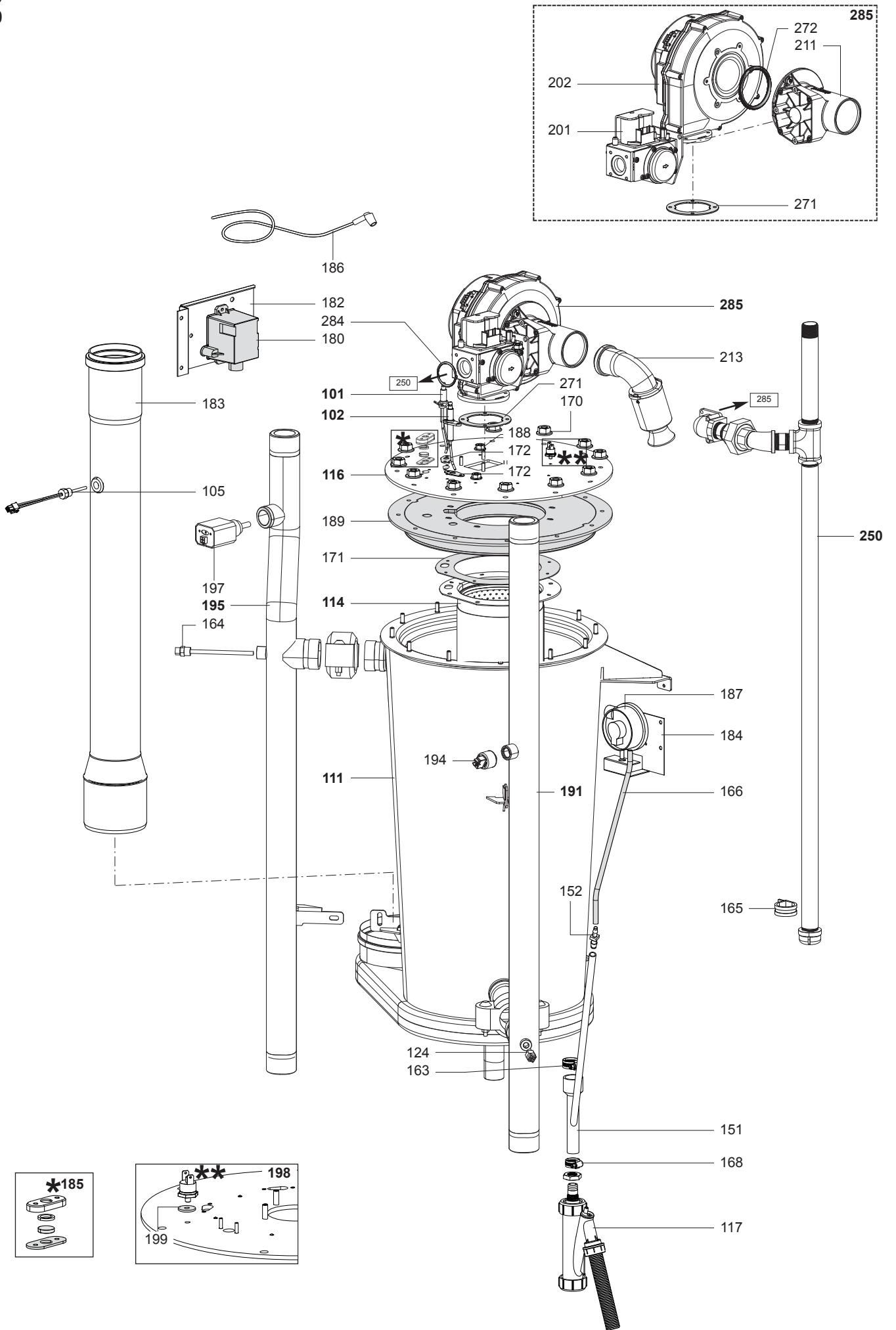
Gas-wall condensing boilers

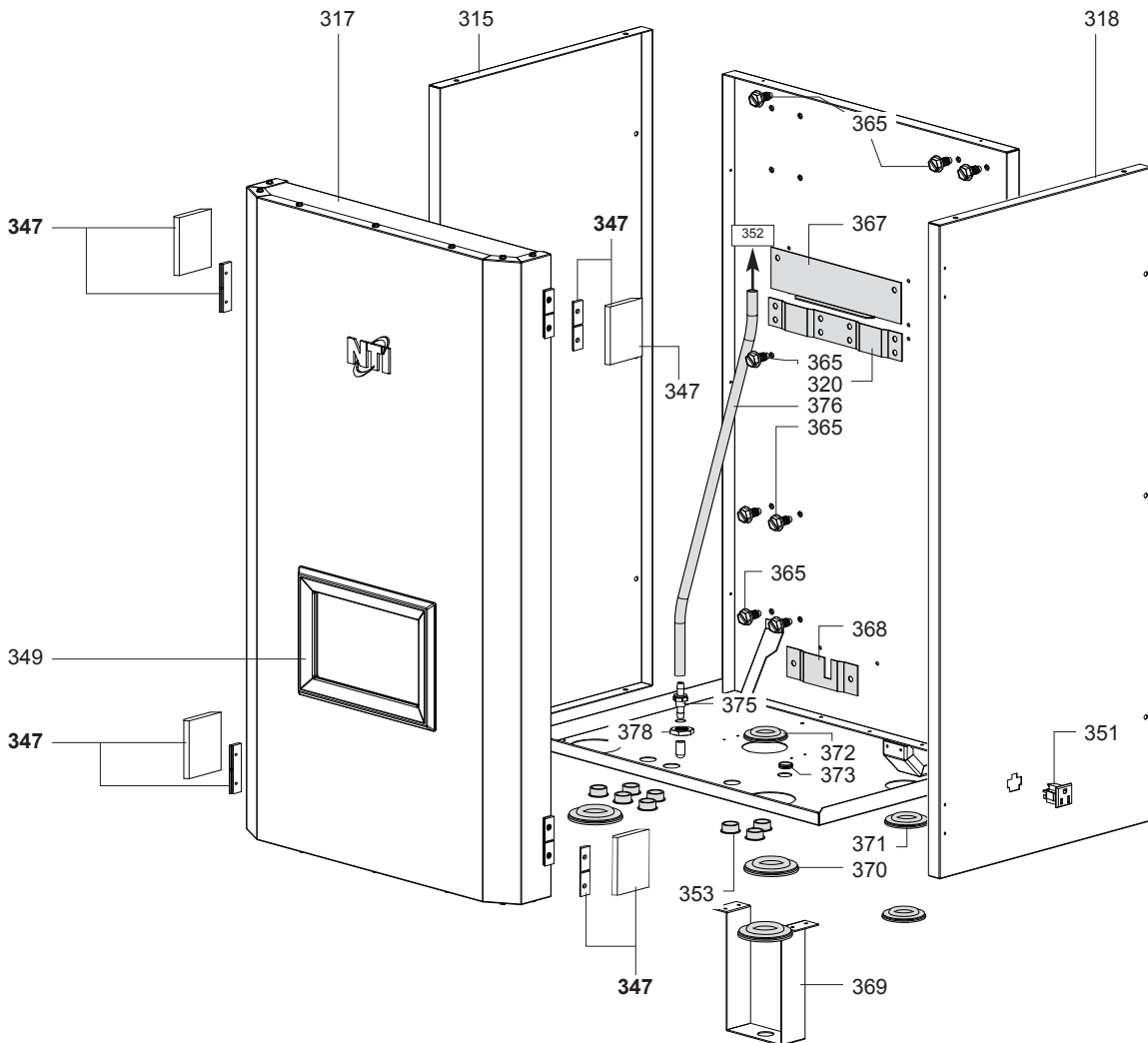
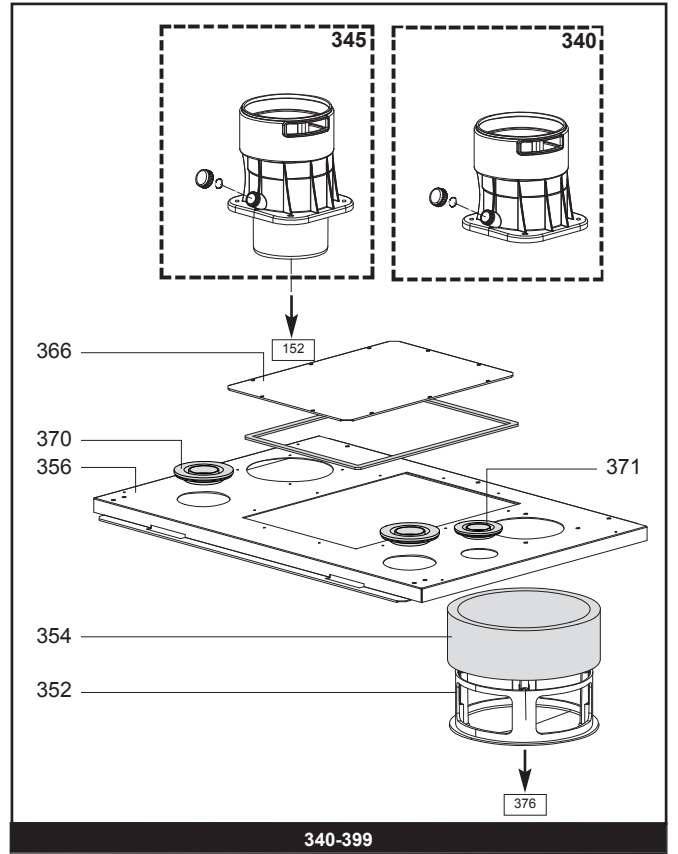
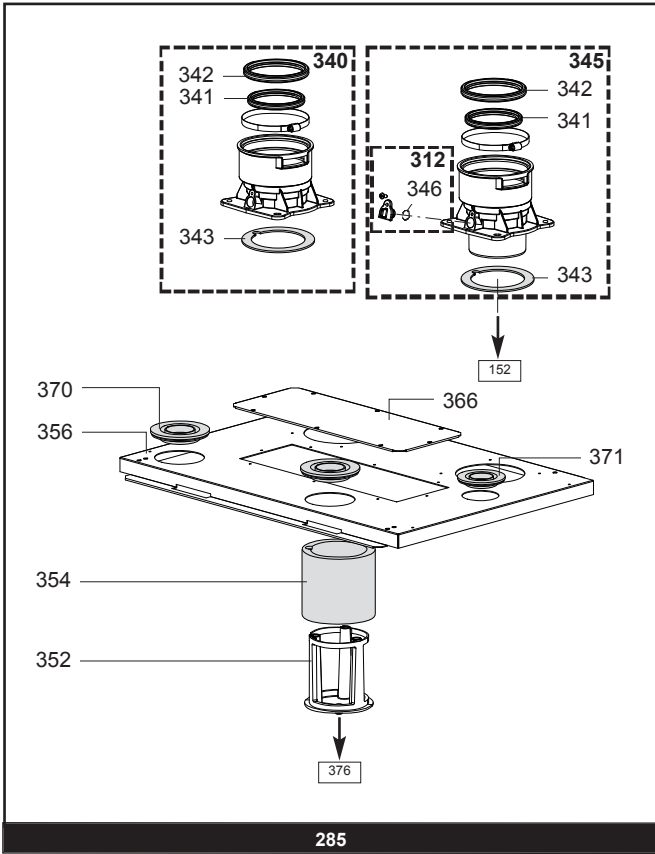
1	3260162	TFTN285.	01-2023	-
2	3260163	TFTN340.	01-2023	-
3	3260164	TFTN399.	01-2023	-
Col	Reference	Model type	Begin	End

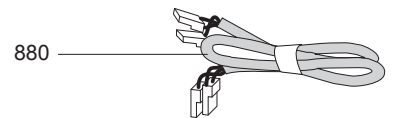
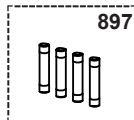
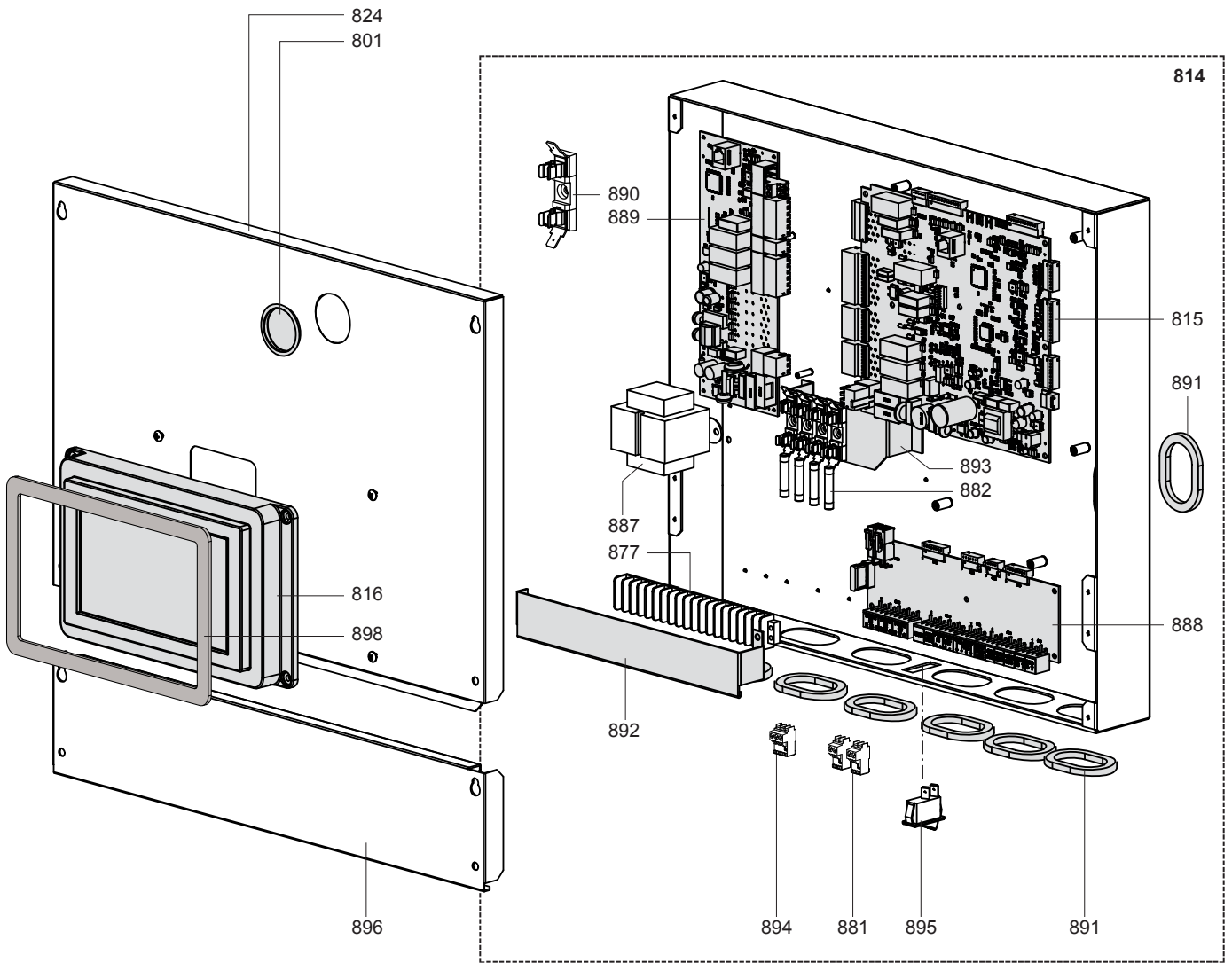




	Description	Manf. Pt. N	Type	1	2	3	4	5	6	7	8	9	10	11	12	13	14	15	16	17	18	From	to
0100	EXCHANGER BLOCK																						
0101	IGNITION ELECTRODE, DUAL	6008387001		●																			
0105	NTC FLUE SENSOR 4X45 1/4 10K3 SS	64980174		●																			
0110	INSULATION DISC TOP PLATE	6000084551		●																			
0111	HEAT EXCHANGER, PG75 TFT155-285	64980647		●																			
0114	BURNER	6000084547		●																			
0116	BURNER TOP PLATE, TFT155-285	64980650		●																			
0117	CONDENSING TRAP KIT	6000083510		●																			
0124	NTC DUPLEX	6000084419		●																			
0151	CONDENSATE DRAIN TUBE PVC (VC)	6000085826		●																			
0152	CONNECTOR TUBING 3/8 in x 1/4 in	64980244		●																			
0163	HOSE CLAMP 11-16-1 1-2	6000083718		●																			
0164	NTC DUPLEX	6000084419		●																			
0165	TUBE STRAP	64980667		●																			
0166	APS TUBE	64980643		●																			
0168	GEAR CLAMP	64980343		●																			
0170	NUT, SERRATED FLANGE M6, BURNER PLATE	64980246		●																			
0171	GASKET (BURNER)	6000085454		●																			
0172	GASKET (ELECTRODE)	60000286-01		●																			
0180	SPARK GENERATOR	64980469		●																			
0182	SPARK GENERATOR SUPPORT BRACKET	64980319		●																			
0183	FLUE PIPE (POLYPROPYLENE)	64980637		●																			
0184	AIR SWITCH BRACKET, BLOCKED CONDENSATE	64980466		●																			
0185	SIGHT GLASS ASSMBLY	6000085641		●																			
0186	CABLE (IGNITION ELECTRODE)	64980470		●																			
0187	AIR PRESSURE SWITCH	65118678		●																			
0188	NUT, SERRATED FLANGE M5-08	64980241		●																			
0191	SUPPLY PIPE	64980339		●																			
0194	WATER PRESSURE SENSOR	64980500		●																			
0195	RETURN PIPE	64980338		●																			
0196	GASKET (BURNER TOP PLATE)	6000084549		●																			
0197	LOW WATER CUT OFF	6000084424		●																			
0198	THERMAL SWITCH, TOP PLATE	64980506		●																			
0199	GASKET, THERMAL SWITCH TO TOP PLATE	64980507		●																			
0200	GAS SECTION																						
0201	GAS VALVE	64980633		●																			
0202	BLOWER, EBM	6008299402		●																			
0211	VENTURI	64980344		●																			
0213	SILENCER	64980335		●																			
0250	PIPE (GAS INLET)	64980336		●																			
0271	GASKET, BLOWER TFT, VITON	6000084441		●																			
0272	EBM BLOWER INLET O-RING T1400	6000083106		●																			
0284	GAS VALVE CONNECTOR O-RNG	6000083194		●																			
0285	FAN ASSEMBLY	64980668		●																			

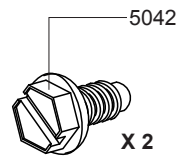
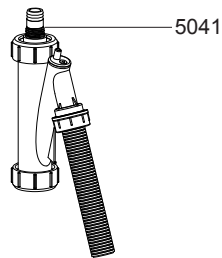
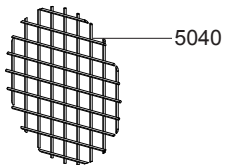
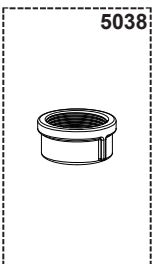
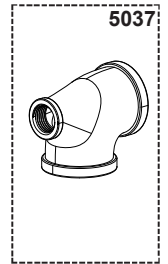
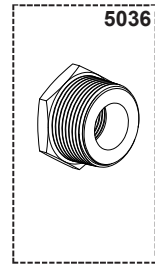
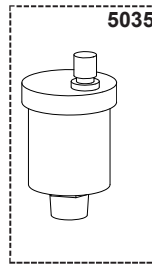
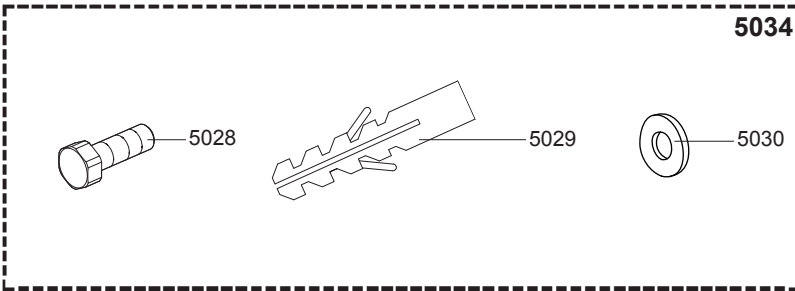
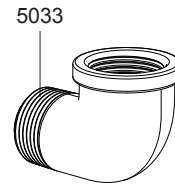
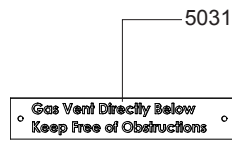
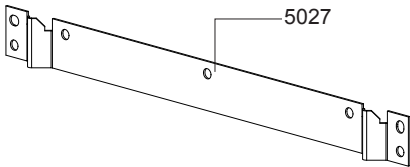
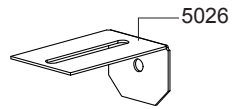
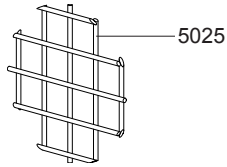
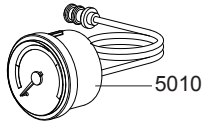
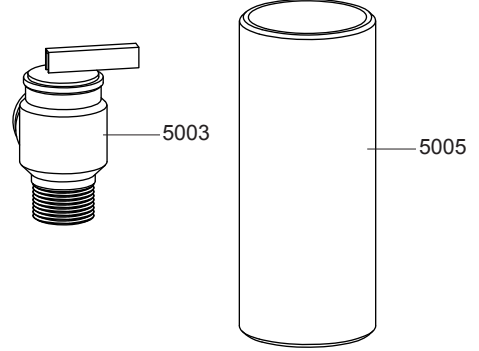
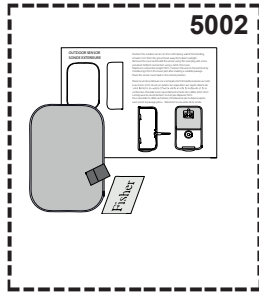
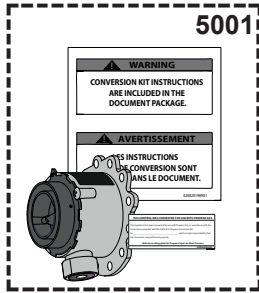







☉⇒	Description	Manf. Pt. N	Type	TFTN285-399																					
				1	2	3	4	5	6	7	8	9	10	11	12	13	14	15	16	17	18	From	to		
0800	ELECTRICAL BOX																								
0801	PLUG, TFTN CONTROL PANEL COVER	64980504		•	•	•																			
0814	CONTROL PANEL (WITH HARNESS AND PCBS)	64980656		•																					
	CONTROL PANEL (WITH HARNESS AND PCBS)	64980657		•	•	•																			
0815	MAIN PCB, ACP CONTROLLER ACP	64980472-01		•	•	•																			
0816	HMI, TFTN TOUCHSCREEN 7 in	64980468		•	•	•																			
0824	COVER, TFTN CONTROL PANEL	64980481		•	•	•																			
0877	BARRIER, HIGH VOLT FIELD CONNECTION	64980536		•	•	•																			
0880	WIRING, AUX1 PUMP	64980511		•	•	•																			
	WIRING, AUX2 PUMP	64980512		•	•	•																			
	WIRING, AUX2 PUMP/TRANSFOR.	64980520		•	•	•																			
	WIRING, BLWR/VAR PUMP CTRL	64980660		•																					
	WIRING, BLWR/VAR PUMP CTRL	64980692		•	•	•																			
	WIRING, DHW PUMP	64980510		•	•	•																			
	WIRING, EBUS, FIELD SENSORS	64980690		•																					
	WIRING, EBUS, FIELD SENSORS	64980691		•	•	•																			
	WIRING, FLAME SENSOR	64980515		•	•	•																			
	WIRING, GAS VALVE	64980323		•	•	•																			
	WIRING, GAS, IGNITER, LWCO	64980693		•	•	•																			
	WIRING, GAS-IGNITER-LWCO	64980661		•																					
	WIRING, GND	64980517		•	•	•																			
	WIRING, HMI	64980518		•	•	•																			
	WIRING, POWER SUPPLY	64980662		•																					
	WIRING, POWER SUPPLY	64980694		•	•	•																			
	WIRING, WI-FI	64980516		•	•	•																			
	WIRING, WPS, APS, TEMP/SW	64980663		•																					
	WIRING, WPS, APS, TEMP/SW	64980689		•	•	•																			
	WIRING, ZONE OUTPUTS	64980522		•	•	•																			
	WIRING, ZONE SUPPLY	64980521		•	•	•																			
0881	CONNECTOR 2P	65111933		•	•	•																			
0882	FUSE, 2A, 32V, PLUG STYLE	64980476		•	•	•																			
	FUSE, 2A, ZONE CONTROLLER, C3Z	64980480		•	•	•																			
	FUSE, 5A, ZONE PUMPS	64980478		•	•	•																			
	FUSE, 6.3A, MAIN PCB, ACP	64980479		•	•	•																			
0887	TRANSFORMER 24V, 40VA	64980471		•	•	•																			
0888	PCB, LOW VOLTAGE CONNECTION	64980475		•	•	•																			
0889	PCB, 3-ZONE CONTROLLER	64980499		•	•	•																			
0890	FUSES HOLDER	64980477		•	•	•																			
0891	WIRING GROMMET (45 mm)	64980526		•	•	•																			
0892	COVER, HIGH VOLTAGE BARRIER	64980524		•	•	•																			
0893	BRACKET, FUSE HOLDER	64980525		•	•	•																			
0894	CONNECTOR 3P (x5)	65111934-01		•	•	•																			
0895	ROCKER SWITCH 20A @125VAC, E- SWITCH	6000085970		•	•	•																			
0896	COVER, FIELD WIRING	64980473		•	•	•																			
0897	SPARE FUSE KIT (2 EACH)	64980527		•	•	•																			
0898	GASKET, HMI TO FRONT COVER	64980503		•	•	•																			

5022



TFTN285.
 TFTN340.
 TFTN399.





☞	Description	Manf. Pt. N	Type	1 2 3 4 5 6 7 8 9 10 11 12 13 14 15 16 17 18														From	to								
5000	JIG PLATE & PIPE FITTING																										
5001	LP CONVERSION KIT	64980653			●	●	●																				
	LP CONVERSION KIT	64980652			●																						
5002	OUTDOOR SENSOR	64980218			●	●	●																				
5003	PRESSURE RELIEF VALVE	65118683			●	●	●																				
5005	CPVC PIPE 3 in, SYSTEM 636, 5 in LONG	64980094			●																						
	PIPE, CPVC SYS 636, 4, 10	6000083427				●	●																				
5010	PRESSURE/TEMPERATURE GAUGE	65118685			●	●	●																				
5022	INSTALLATION KIT BOX	64980654			●																						
	INSTALLATION KIT BOX	64980655					●	●																			
5025	ROUND MESH, VENT SCREEN (3.375 in)	64980212			●																						
5026	BOTTOM WALL BRACKET VM, FTV	6000086460			●	●	●																				
5027	WALL MOUNT BRACKET (UPPER)	64980464			●	●	●																				
5028	WALL MOUNT HARDWARE LEG BOLT	64980213			●	●	●																				
5029	WALL MOUNT HARDWARE PLASTIC PLUG	64980214			●	●	●																				
5030	WALL MOUNT HARDWARE WASHER	64980215			●	●	●																				
5031	GAS VENT DIRECTLY BELOW DECAL	64980098			●	●	●																				
5033	ELBOW, BRASS, STREET 90, 3/4 in	64980539			●	●	●																				
5034	WALL MOUNTING HARDWARE KIT	64980538			●	●	●																				
5035	AUTO AIR VENT, 1/2" NPT	64980459			●	●	●																				
5036	BRASS BUSHING, 1-1/2 in X 3/4 in	64980324				●	●																				
	BRASS BUSHING, 1-1/4 IN X 3/4 IN	64980495			●																						
5037	BRASS TEE 1-1-2INX1-2INX1-2IN	6000084468					●	●																			
	BRASS TEE, 1-1/4 IN X 1/2 IN X 1-1/4 IN	64980496			●																						
5038	BRASS CAP, 1.25NPT	64980666				●																					
	BRASS CAP, 1.5NPT	64980665					●	●																			
5040	VENT SCREEN, 4.375 STAINLESS STEEL MESH	6000086233				●	●																				
5041	CONDENSING TRAP KIT	6000083510			●	●	●																				
5042	SCREW, 1/4-14 X 3/8"	6000083970			●	●	●																				

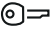





		EN		DE		NL		
		FR		IT		ES		
0101	6008387001	IGNITION ELECTRODE, DUAL IGNITION ELECTRODE, DUAL		IGNITION ELECTRODE, DUAL IGNITION ELECTRODE, DUAL		IGNITION ELECTRODE, DUAL IGNITION ELECTRODE, DUAL		10
0102	6008276201	ELECTRODE (IONIZATION) ELECTRODE (IONISATION)		ELEKTRODE (IONISATION) ELETTRODO RILEVAZIONE		ELEKTRODE (IONISATIE) ELECTRODO (IONIZACION)		0
0105	64980174	NTC FLUE SENSOR 4X45 1/4 10K3 SS CAPTEUR NTC 4X45 1/4 10K3 SS		NTC SENSOR 4X45 1/4 10K3 SS SENSORE NTC 4X45 1/4 10K3 SS		NTC SENSOR 4X45 1/4 10K3 SS NTC SENSOR 4X45 1/4 10K3 SS		1
0110	6000084551	Insulation disc TFT155-285 top plate ISOLAT.(PLAQUE SUPÉR.DU BRÛL.)		ISOLIERUNG (DECKELPLAT.DES BRENN.) ISOLAMENTO PIASTRA BRUCIATORE		ISOLATIE (BOVENPLAAT BRANDER) AISLAMIENTO PLACA SUP.DEL QUEM.		5
0111	64980647	HEAT EXCHANGER, PG75 TFT155-285 ECHANGEUR, PG75		AUSTAUSCHER, PG75 SCAMBIATORE, PG75		WARMTEWISSELAAR, PG75 INTERCAMBIADOR, PG75		1
	64980648	HEAT EXCHANGER, PG100, 340mBTU ECHANGEUR		AUSTAUSCHER SCAMBIATORE		WARMTEWISSELAAR INTERCAMBIADOR		1
	64980649	HEAT EXCHANGER, PG120 ECHANGEUR, PG120		AUSTAUSCHER, PG120 SCAMBIATORE, PG120		WARMTEWISSELAAR, PG120 INTERCAMBIADOR, PG120		1
0114	6000084547	BURNER BRULEUR		BRENNER BRUCIATORE		BRANDER QUEMADOR		0
	6000085481	BURNER BRULEUR		BRENNER BURNER		BRANDER QUEMADOR		0
0116	6000087759	BURNER TOP PLATE PLAQUE SUPÉRIEURE DU BRÛLEUR		BRENNERDECKPLATTE PIASTRA BRUCIATORE		BRANDER BOVENPLAAT PLACA SUPERIOR DEL QUEMADOR		0
	64980650	BURNER TOP PLATE, TFT155-285 PLAQUE SUPÉRIEURE DU BRÛLEUR		BRANDER BOVENPLAAT BURNER TOP PLATE		BRANDER BOVENPLAAT PLACA SUPERIOR QUEMADOR		1
0117	6000083510	CONDENSING TRAP KIT CONDENSING TRAP KIT		CONDENSING TRAP KIT CONDENSING TRAP KIT		CONDENSING TRAP KIT CONDENSING TRAP KIT		0
0124	6000084419	NTC DUPLEX NTC DUPLEX		NTC DUPLEX NTC DUPLEX		NTC DUPLEX NTC DUPLEX		0
0151	6000085826	CONDENSATE DRAIN TUBE PVC (VC) CONDENSATE DRAIN TUBE PVC (VC)		CONDENSATE DRAIN TUBE PVC (VC) CONDENSATE DRAIN TUBE PVC (VC)		CONDENSATE DRAIN TUBE PVC (VC) CONDENSATE DRAIN TUBE PVC (VC)		0
0152	64980244	CONNECTOR TUBING 3/8 in x 1/4 in TUBE DE CONNECTEUR 3/8 in x 1/4 in		ANSCHLUSSROHR 3/8 in x 1/4 in CONNETTORE TUBI 3/8 in x 1/4 in		CONNECTORBUIS 3/8 in x 1/4 in CONECTOR TUBERÍA 3/8 in x 1/4 in		0
0163	6000083718	HOSE CLAMP 11-16-1 1-2 HOSE CLAMP 11-16-1 1-2		HOSE CLAMP 11-16-1 1-2 HOSE CLAMP 11-16-1 1-2		HOSE CLAMP 11-16-1 1-2 HOSE CLAMP 11-16-1 1-2		0
0164	6000084039	NTC DUPLEX NTC DUPLEX		NTC DUPLEX NTC DUPLEX		NTC DUPLEX NTC DUPLEX		0
	6000084419	NTC DUPLEX NTC DUPLEX		NTC DUPLEX NTC DUPLEX		NTC DUPLEX NTC DUPLEX		0
0165	64980667	TUBE STRAP SANGLE DE TUBE		ROHRBAND MORSETTO FISS.TUBO GAS		BUIS STRAP CORREA DE TUBO		1
0166	64980643	APS TUBE TUBE APS		APS-ROHR TUBO APS		APS BUIS TUBO APS		1
0168	64980343	GEAR CLAMP SERRER		KLEMME MORSETTO		KLEM GEAR CLAMP		1
0170	64980246	NUT, Serrated Flange M6, burner plate ECROU, BRIDE SERREE M6		MUTTER, SERRIERTER FLANSCH M6 DADO FLANGIATO M6		MOER, GESLAGEN FLENS M6 TUERCA, BRIDA SERRADA M6		5
0171	6000085454	GASKET (BURNER) JOINT (BRÛLEUR)		DICHTUNG (BRENNER) GUARNIZIONE BRUCIATORE		DICHTING (BRANDER) JUNTA (QUEMADOR)		0
	6000085482	GASKET (BURNER) JOINT (BRÛLEUR)		DICHTUNG (BRENNER) GUARNIZIONE BRUCIATORE		DICHTING (BRANDER) JUNTA (QUEMADOR)		0
0172	60000286-01	GASKET (FTVN/TFTN Electrode) JOINT ELECTRODE		DICHTUNG ELEKTRODEN GUARNIZIONE ELETTRODI		DICHTING ELECTRODE JUNTA ELECTRODO		1
0180	64980469	SPARK GENERATOR TRANSFORMATEUR D'ALLUMAGE		ZÜNDTRAFO ACCENDITORE		ONTSTEKING TRANSFORMATOR TRANSFORMADOR DE ENCENDIDO		1
0182	64980319	SPARK GENERATOR SUPPORT BRACKET SUPPORT, TRANSFORMAT.D'ALLUM.		HALTER, ZÜNDTRAFO STAFFA ACCENDITORE		STEUN, ONTSTEKING TRANSFORMATOR SOPORTE, TRANSFORMADOR DE ENCENDIDO		1
	64980320	SPARK GENERATOR SUPPORT BRACKET SUPPORT, TRANSFORMAT.D'ALLUM.		HALTER, ZÜNDTRAFO STAFFA ACCENDITORE		STEUN, ONTSTEKING TRANSFORMATOR SOPORTE, TRANSFORMADOR DE ENCENDIDO		1
0183	64980637	FLUE PIPE (POLYPROPYLENE) TUBE EN PLASTIQUE		ABGASROHR TUBO SCARICO FUMI (POLIPROP.)		FLUE PIPE (POLYPROPYLENE) TUBO DE HUMOS CENTROTERM		1
	64980638	FLUE PIPE (POLYPROPYLENE) TUBE EN PLASTIQUE		ABGASROHR TUBO SCARICO FUMI (POLIPROP.)		FLUE PIPE (POLYPROPYLENE) TUBO DE HUMOS CENTROTERM		1
0184	64980466	AIR SWITCH BRACKET, BLOCK.CONDENS. SUPPORT DE PRESSOSTAT D'AIR		LUFTSCHALTERHALTERUNG STAFFA PRESSOSTATO ARIA		BEUGEL LICHTDRUKSCHAKELAAR SOPORTE DEL PRESOSTATO DE AIRE		1
0185	6000085641	SIGHT GLASS ASSMBLY VITRE VISEUR DE FLAMME		SCHLAUGLAS VETRO SPIA COMPLETO		KIJKGLAS CRISTAL LUZ TESTIGO		0
0186	64980470	CABLE (IGNITION ELECTRODE) CÂBLE (ÉLECTRODE D'ALLUMAGE)		KABEL (ZÜNDELEKTRODE) CAVO ELETTRODO ACC.		KABEL (ONTSTEKINGSELEKTRODE) CABLE (ELECTRODO DE ENCENDIDO)		5
0187	65118678	AIR PRESSURE SWITCH PRESSOSTAT AIR		LUFTWACHTER PRESSOSTATO ARIA		DRUKSCHAKELAAR LICHT PRESOSTATO AIRE		1
0188	64980241	NUT, SERRATED FLANGE M5-08, blower ECROU, BRIDE SERREE M5-08		MUTTER, SERRIERTER FLANSCH M5-08 DADO FLANGIATO M5-08		MOER, GESLAGEN FLENS M5-08 TUERCA, BRIDA SERRADA M5-08		5
0189	64980827	INSULATION & GASKET TOP PLATE ISOLATION (PLAQUE SUP.DU BRÛL.)		ISOLIERUNG (DECKELPLAT.DES BRENN.) ISOLAMENTO (PIASTRA SUP.BRUC.)		ISOLATIE (BOVENPLAAT BRANDER) AISLAMIENTO (PLACA SUP.DEL QUEM.)		1

☰	XXXXXXXXXX	EN	DE	NL	X
		FR	IT	ES	
0191	64980339	SUPPLY PIPE TUYAU DE LIVRAISON	LIEFERROHR TUBO DI MANDATA	LEVERINGSPIJP TUBO DE ENTREGA	1
	64980340	SUPPLY PIPE TUYAU DE LIVRAISON	LIEFERROHR TUBO DI MANDATA	LEVERINGSPIJP TUBO DE ENTREGA	1
0194	64980500	WATER PRESSURE SENSOR CAPTEUR DE PRESSION D'EAU	WASSERDRUCKSENSOR SENSORE PRESSIONE ACQUA	WATERDRUKSENSOR SENSOR DE PRESIÓN DE AGUA	1
0195	64980338	RETURN PIPE TUYAU DE RETOUR	RÜCKLAUFROHR TUBO RITORNO	RETOURLEIDING MANGUERA DE RETORNO	1
	64980341	RETURN PIPE TUYAU DE RETOUR	RÜCKLAUFROHR TUBO RITORNO	RETOURLEIDING MANGUERA DE RETORNO	1
0196	6000084549	GASKET (BURNER TOP PLATE) JOINT (PLAQUE SUP.DU BRÛLEUR)	DICHTUNG (DECKELPLAT.DES BRENN.) GUARNIZIONE PIASTRA BRUCIATORE	PAKKING (BOVENPLAAT BRANDER) JUNTA (PLACA SUP.DEL QUEMADOR)	0
0197	6000084424	LOW WATER CUT OFF PRESSOSTAT BASSE PRESSION	NIEDERDRUCKSCHALTER PRESSOSTATO DI MINIMA	LAGEDRUKSCHAKELAAR PRESOSTATO DE BAJA	5
0198	64980506	THERMAL SWITCH, TOP PLATE INTERRUPT.THERMIQ., PLAQUE SUP.	THERMOSCHALTER, OBERPLATTE INTERRUT.TERMICO (PIASTRA BR.)	THERMISCHE SCHAKELAAR, BOVENPLAAT INTERRUPTOR TÉRMICO, PLACA SUP.	5
0199	64980507	GASKET, THER.SWITCH TO TOP PLATE JOINT D'INTERRUPTEUR THERMIQUE	DICHTUNG, THERMISCHER SCHALTER GUARNIZ., INTER.TERM.(PIASTRA BR.)	PAKKING, THERMISCHE SCHAKELAAR JUNTA, INTERRUPTOR TÉRMICO	5
0201	64980633	GAS VALVE VANNE GAZ	GASVENTIL VALVOLA GAS	GASKLEP VÁLVULA DE GAS	1
0202	6008299402	BLOWER, EBM, TFT285-399 BLOWER, EBM, TFT285-399	BLOWER, EBM, TFT285-399 BLOWER, EBM, TFT285-399	BLOWER, EBM, TFT285-399 BLOWER, EBM, TFT285-399	1
0211	64980344	VENTURI VENTURI	VENTURI VENTURI	VENTURI VENTURI	1
	64980345	VENTURI VENTURI	VENTURI VENTURI	VENTURI VENTURI	1
0213	64980335	SILENCER SILENCIEUX	SCHALLDÄMPFER SILENZIATORE	GELUIDDEMPER SILENCIADOR	1
0250	64980336	PIPE (GAS INLET) TUYAU (ENTRÉE GAZ)	ROHR (GASEINGANG) TUBO INGRESSO GAS	PIJP (GASINLAAT) TUBO (ENTRADA DE GAS)	1
	64980337	PIPE (GAS INLET) TUYAU (ENTRÉE GAZ)	ROHR (GASEINGANG) TUBO INGRESSO GAS	PIJP (GASINLAAT) TUBO (ENTRADA DE GAS)	1
0271	6000084441	GASKET, BLOWER TFT, VITON GASKET, BLOWER TFT, VITON	GASKET, BLOWER TFT, VITON GASKET, BLOWER TFT, VITON	GASKET, BLOWER TFT, VITON GASKET, BLOWER TFT, VITON	0
0272	6000083106	EBM BLOWER INLET O-RING T1400 EBM BLOWER INLET O-RING T1400	EBM BLOWER INLET O-RING T1400 EBM BLOWER INLET O-RING T1400	EBM BLOWER INLET O-RING T1400 EBM BLOWER INLET O-RING T1400	0
0284	6000083194	GAS VALVE CONNECTOR O-RNG GAS VALVE CONNECTOR O-RNG	GAS VALVE CONNECTOR O-RNG GAS VALVE CONNECTOR O-RNG	GAS VALVE CONNECTOR O-RNG GAS VALVE CONNECTOR O-RNG	0
0285	64980668	FAN ASSEMBLY ASSEMBLAGE DU VENTILATEUR	LÜFTERMONTAGE ASSIEME VENTILAT./VALV.GAS/VENTURI	VENTILATOR MONTAGE CONJUNTO DEL VENTILADOR	1
	64980669	FAN ASSEMBLY ASSEMBLAGE DU VENTILATEUR	LÜFTERMONTAGE ASSIEME VENTILAT./VALV.GAS/VENTURI	VENTILATOR MONTAGE CONJUNTO DEL VENTILADOR	1
0312	64980209	FLUE TEST PORT PLUG BOUCHON DE PRISE FUMEE	STOPFEN ABGAS-U.ZULUFTMESS.KUNST. TAPPO ANALISI FUMI + O-RING	STOP ROOKGASMEETNIPPELS TAPON TOMA HUMOS	1
0315	64980322	PANEL, LEFT SIDE PANNEAU LATÉRAL GAUCHE	LINKE SEITENWAND PANNELLO LATERALE SX	LINKER ZIJPANEEL PANEL LATERAL IZQUIERDO	1
	64980486	PANEL, LEFT SIDE, TFTN150/199/285 PANNEAU LATÉRAL GAUCHE	LINKE SEITENWAND PANNELLO LATERALE SX	LINKER ZIJPANEEL PANEL LATERAL IZQUIERDO	0
0317	64980325	FRONT COVER ASSEMBLY PANNEAU AVANT	FRONTBLLENDE PANNELLO FRONTALE	VOORPANEEL PANEL FRONTAL	1
	64980326	FRONT COVER ASSEMBLY PANNEAU AVANT	FRONTBLLENDE PANNELLO FRONTALE	VOORPANEEL PANEL FRONTAL	1
0318	64980321	PANEL, RIGHT SIDE PANNEAU CÔTÉ DROIT	RECHTE SEITENABDECKUNG PANNELLO LATERALE DX	RECHTER ZIJPANEEL PANEL LATERAL DERECHO	1
	64980484	PANEL, RIGHT SIDE, TFTN150/199/285 PANNEAU CÔTÉ DROIT	RECHTE SEITENABDECKUNG PANNELLO LATERALE DX	RECHTER ZIJPANEEL PANEL LATERAL DERECHO	0
0320	64980332	HEAT EXCHANGER TOP BRACKET SUPPORT SUP.DE L'ÉCHANG.DE CHAL.	OBERE HALTER.DES WÄRMETAUSCH. STAFFA SUP.SCAMBIAT.DI CALORE	BOVENSTE BEUGEL WARMTEWISSELAAR SOPORTE SUP.DEL INTERCAMB.DE CAL.	1
	64980681	HEAT EXCHANGER TOP BRACKET SUPPORT SUP.DE L'ÉCHANG.DE CHAL.	OBERE HALTER.DES WÄRMETAUSCH. STAFFA SUP.SCAMBIAT.DI CALORE	BOVENSTE BEUGEL WARMTEWISSELAAR SOPORTE SUP.DEL INTERCAMB.DE CAL.	1
0340	64980206	ADAPTOR (AIR INLET) ADAPTATEUR D'ENTRÉE D'AIR	ADAPTER, LUFT EINGANG ADATTATORE INGRESSO ARIA	LUCHTINLAAT ADAPTER ADAPTADOR DE ENTRADA DE AIRE	1
	64980640	ADAPTOR (AIR INLET) ADAPTATEUR D'ENTRÉE D'AIR	ADAPTER, LUFT EINGANG ADATTATORE INGRESSO ARIA	LUCHTINLAAT ADAPTER ADAPTADOR DE ENTRADA DE AIRE	1
0341	64980237	INLET/OUTLET ADAPT.LOW.SEAL GASKET JOINT DE SORTIE 80	DICHTUNGS AUSGANG 80 GUARNIZIONE D80 USCITA FUMI	PAKKING UITLAAT 80 JUNTA DE SALIDA 80	1
0342	64980207	INLET/OUTLET ADAPT.UPP.SEAL GASKET JOINT D90 EPDM SH.A PEROX	DICHTUNG D90 EPDM SH.A PEROX GUARNIZ.D90 EPDM SH.A PEROX	DICHTING D90 EPDM SH.A PEROX JUNTA D90 EPDM SH.A PEROX	1
0343	64980208	FOAM GASKET UND.AIRINL./OUTL.ADAPT. MOUSSE ADAPTAT.DE GAZ DE FUMÉE	DICHTUNG ABGASBOGEN GUARNIZIONE COLLETTORE FUMI	SCHUIMKANAALADAPTER ESPUMA DE ADAPT.DE GASES DE GOMA	1
0345	64980210	ADAPTOR (FLUE OUTLET) ADAPTATEUR, SORTIE DE FUMÉE	ADAPTER, RAUCH AUSGANG ADATTATORE USCITA FUMI	ADAPTER, ROOKUITGANG ADAPTADOR, SALIDA DE HUMO	1

		EN		DE		NL		
		FR		IT		ES		
	64980639	ADAPTOR (FLUE OUTLET) ADAPTATEUR, SORTIE DE FUMÉE		ADAPTER, RAUCH AUSGANG ADATTATORE USCITA FUMI		ADAPTER, ROOKUITGANG ADAPTADOR, SALIDA DE HUMO		1
0346	64980236	O-RING SEAL, Flue test port plug JOINT TORIQ.2,7X8,9 EPDM 70 Sh.		DICHRING 2,7X8,9 EPDM PEROX 70 Sh. OR 2,7X8,9 EPDM PEROX 70 Sh.		DICHTING 2,7X8,9 EPDM PEROX 70 Sh. JUNTA TORICA 2,7X8,9 EPDM 70 Sh.		1
0347	64980537	DOOR LATCH KIT X 1 KIT DE LOQUET DE PORTE X 1		TÜRSCHLOSS-KIT X 1 KIT CHIUSURA MANTELLO X1		DEURVERGRENDINGSSET X 1 KIT DE PESTILLO DE PUERTA X 1		0
0349	64980505	HMI BEZEL HMI BEZEL		HMI BEZEL DISPLAY BEZEL		HMI BEZEL HMI BEZEL		0
0351	6000084423	RECEPTACLE, 120VAC PRISE, 120 VCA		STECKDOSE, 120VAC RECEPTACLE, 120VAC		RECEPTANG, 120VAC RECEPTÁCULO, 120 VCA		0
0352	64980498	AIR FILTER HOUSING KIT TFTN085-285 KIT DE BOÎTIER DE FILTRE À AIR		LUFTFILTERGEHÄUSE-KIT KIT ALLOGGIAMENTO FILTRO ARIA		LUCHTFILTER BEHUIZING KIT KIT DE CARCASA DE FILTRO DE AIRE		0
	64980642	AIR FILTER HOUSING KIT KIT DE BOÎTIER DE FILTRE À AIR		LUFTFILTERGEHÄUSE-KIT KIT ALLOGGIAMENTO FILTRO ARIA		LUCHTFILTER BEHUIZING KIT KIT DE CARCASA DE FILTRO DE AIRE		1
0353	6000084095	PLUG, 7/8 in BLACK DOME PLUG, 7/8 in BLACK DOME		STECKER, 7/8 in SCHWARZER DOM TAPPO, CUPOLA NERA 7/8 in		BOUCHON, DÔME NOIR 7/8 in TAPÓN, CÚPULA NEGRA DE 7/8 in		0
0354	64980497	AIR FILTER, Foam, TFTN085-285 FILTRE À AIR		LUFTFILTER FILTRO ARIA		LUCHTFILTER FILTRO DE AIRE		1
	64980641	AIR FILTER FILTRE À AIR		LUFTFILTER FILTRO ARIA		LUCHTFILTER FILTRO DE AIRE		1
0356	64980327	TOP PANEL PANNEAU DU HAUT		OBERSEITE TOP		BOVENSTE PANEEL PANEL SUPERIOR		1
	64980329	TOP PANEL PANNEAU DU HAUT		OBERSEITE TOP		BOVENSTE PANEEL PANEL SUPERIOR		1
0365	6000083970	SCREW, ¼-14 X 3/8" VIS, ¼-14 X 3/8 in		SCHRAUBE, ¼-14 X 3/8 in VITE, ¼-14 X 3/8 in		SCHROEF, ¼-14 X 3/8 in TORNILLO, ¼-14 X 3/8 in		0
0366	64980328	TOP PANEL ACCESS COVER COUVERCLE D'ACCÈS AU PANN.SUP.		ZUGRIFFSABDECKUNG OBERSEITE SPORTELLINO DI ACCESSO		TOEGANGSDEKSEL BOVENSTE PANEEL CUBIERTA DE ACCESO AL PAN.SUP.		1
	64980330	TOP PANEL ACCESS COVER COUVERCLE D'ACCÈS AU PANN.SUP.		ZUGRIFFSABDECKUNG OBERSEITE SPORTELLINO DI ACCESSO		TOEGANGSDEKSEL BOVENSTE PANEEL CUBIERTA DE ACCESO AL PAN.SUP.		1
0367	64980331	HEAT EXCHANGER HOLD DOWN BRACKET SUPPORT DE MAINT.DE L'ÉCHANG.DE CHAL.		WARMTEWISSELAAR HOUDBEUGEL SUPPORTO SCAMB. SUP./INF.		STEUNBEUGEL WARMTEWISSELAAR SOPORTE DE SUJEC.DEL INTERC.DE CAL.		1
	64980682	HEAT EXCHANGER HOLD DOWN BRACKET SUPPORT DE MAINT.DE L'ÉCHANG.DE CHAL.		WARMTEWISSELAAR HOUDBEUGEL SUPPORTO SCAMB. SUP./INF.		STEUNBEUGEL WARMTEWISSELAAR SOPORTE DE SUJEC.DEL INTERC.DE CAL.		1
0368	64980333	HEAT EXCHANGER BOTTOM BRACKET SUPPORT INFER.ÉCHANG.DE CHAL.		UNTERE HALTER.DES WÄRMETAUSC. STAFFA INFER.SCAMBIAT.DI CAL.		WARMTEWISSELAAR ONDERSTEUN SOPORTE INF.DEL INTERCAMB.DE CAL.		1
0369	64980334	BRACKET (SYPHON) SUPPORT (SIPHON)		HALTERUNG (SIPHON) STAFFA SIFONE		HOUDER (SIFON) SOPORTE (SIFÓN)		1
0370	6000084439	GROMMET, VINYL, (1625) GROMMET, VINYL, (1625)		GROMMET, VINYL, (1625) GROMMET, VINYL, (1625)		GROMMET, VINYL, (1625) GROMMET, VINYL, (1625)		0
	6000084440	GROMMET, VINYL, (1875) GROMMET, VINYL, (1875)		GROMMET, VINYL, (1875) GROMMET, VINYL, (1875)		GROMMET, VINYL, (1875) GROMMET, VINYL, (1875)		0
0371	64980634	GROMMET PASSE-FIL		TÜLLE GOMMINO		DOORVOER OJAL		1
0372	64980635	GROMMET PASSE-FIL		TÜLLE GOMMINO		DOORVOER OJAL		1
0373	64980636	GROMMET PASSE-FIL		TÜLLE GOMMINO		DOORVOER OJAL		1
0375	64980644	BARB FITTING RACCORD CANNELE		BARB-ANSCHLUSS RACCORDO A BARBA		BARB MONTAGE AJUSTE DE PUNTA		1
0376	64980646	TUBE (WATER COLLECTOR) TUBE (COLLECTEUR D'EAU)		ROHR (WASSERSAMMLER) TUBO (COLLETTOR ACQUA)		BUIS (WATEROPVANGBAK) TUBO (COLECTOR DE AGUA)		1
0378	64980645	NUT ECROU		MUTTER DADO		MOER TUERCA		1
0801	64980504	PLUG, TFTN CONTROL PANEL COVER BOUCHON, COUV.DE PANN.DE COMM.		STECKER, BEDIENFELDABDECKUNG GOMMINO COPERCHIO PANN.CONTR.		PLUG, BEDIENINGSPANEEL AFDEKKING TAPÓN, CUBIERTA DE PAN.DE CONTR.		0
0814	64980656	CONTR.PANEL (WITH HARN.AND PCBS) PANNEAU DE COMMANDE COMPLET		BEDIENFELD (KOMPLETT) PANN.DI CONTR.CON CAVI E SCHEDE		BEDIENINGSPANEEL (COMPLEET) PANEL DE CONTROL (COMPLETO)		1
	64980657	CONTROL PANEL (WITH HARN.AND PCBS) PANNEAU DE COMMANDE COMPLET		BEDIENFELD (KOMPLETT) PANN.DI CONTR.CON CAVI E SCHEDE		BEDIENINGSPANEEL (COMPLEET) PANEL DE CONTROL (COMPLETO)		1
0815	64980472-01	MAIN PCB, ACP CONTROLLER ACP CIRCUIT IMPRIME PRINCIPAL ACP		ELEKTROHAUPTPLATINE ACP SCHEDA PRINCIPALE ACP		PRINTKAART ACP CIRCUITO PRINCIPAL ACP		1
0816	64980468	HMI, TFTN TOUCHSCREEN 7 in HMI, TOUCHSCREEN 7 in		HMI, TOUCHSCREEN 7 in TOUCHSCREEN 7 in DISPLAY		HMI, TOUCHSCREEN 7 in HMI, TOUCHSCREEN 7 in		1
0824	64980481	COVER, TFTN CONTROL PANEL COUVERCLE, PANNEAU DE COMM.		ABDECKUNG, BEDIENFELD COPERCHIO PANN.DI CONTROLLO		DEKSEL, BEDIENINGSPANEEL CUBIERTA, PANEL DE CONTROL		0
0877	64980536	BARRIER, HIGH VOLT FIELD CONNECTION BORNIER HAUTE TENSION		HOCHSPANNUNGSKLEMMENBLOCK MORSETTIERA ALTA TENSIONE		HOOGSPANNING AANSLUITBLOK BLOQUE DE TERMIN.DE ALTA TENS.		1
0880	64980323	WIRING, GAS VALVE CÂBLAGE, SOUPEPE À GAZ		VERKABELUNG, GASVENTIL CABLAGGIO VALVOLA GAS		BEDRADING, GASKLEP CABLEADO, VALVULA DE GAS		1
	64980510	WIRING, DHW PUMP CÂBLE DE POMPE À EAU SANIT.		SANITÄRWASSERPUMPENKABEL CAVO POMPA ACQUA SANITARIA		SANITAIRE WATERPOMPKABEL CABLE BOMBA AGUA SANITARIA		1

		EN	DE	NL	
		FR	IT	ES	
	64980511	WIRING, AUX1 PUMP CABLAGE, POMPE AUX1	VERKABELUNG, AUX1-PUMPE CABLAGGIO, POMPA AUX1	BEDRADING, AUX1 POMP CABLEADO, BOMBA AUX1	1
	64980512	WIRING, AUX2 PUMP CABLAGE, POMPE AUX2	VERKABELUNG, AUX2-PUMPE CABLAGGIO, POMPA AUX2	BEDRADING, AUX2 POMP CABLEADO, BOMBA AUX2	1
	64980515	WIRING, FLAME SENSOR CÂBLAGE, CAPTEUR DE FLAMME	VERKABELUNG, FLAMMENSSENSOR CABLAGGIO, SENSORE FIAMMA	BEDRADING, VLAM SENSOR CABLEADO, SENSOR DE LLAMA	1
	64980516	WIRING, WI-FI CÂBLAGE, WI-FI	VERKABELUNG, WI-FI CAVO WI-FI	BEDRADING, WI-FI CABLEADO, WI-FI	1
	64980517	WIRING, GND CÂBLAGE, MISE À LA TERRE	VERKABELUNG, MASSE CABLAGGIO, TERRA	BEDRADING, AARD CABLEADO, TIERRA	1
	64980518	WIRING, HMI CÂBLAGE, IHM	KABEL (KESSEL-STROMVERSORGUNG) CABLAGGIO, HMI	KABEL (STROOMVOORZIENING) CABLE DE ALIMENTACIÓN DE LA CALDERA	1
	64980520	WIRING, AUX2 PUMP/TRANSFOR. CABLE, ALIM.TRANSF.POMPE AUX.	KABEL, ZUSATZPUMP.TRANSF.VERSORG. CAVI SCHEDA-TRASF.-POMPA AUX2	KABEL, AUX POMP TRANSF.VOED CABLE, TRANSF.BOMBA AUX.	1
	64980521	WIRING, ZONE SUPPLY CÂBLAGE, ALIMENTAT.DE ZONE	KABEL, ZONENVERSORGUNG CABLAGGIO ALIMENT.ZONE	BEDRADING, ZONE VOEDING CABLE DE ALIMENTACIÓN DE LA CALDERA	1
	64980522	WIRING, ZONE OUTPUTS CÂBLAGE, SORTIES DE ZONE	VERKABELUNG, ZONE-AUSGÄNGE CAVO ALIMENTAZIONE CALDAIA	BEDRADING, ZONE-UITGANGEN CABLEADO, SALIDAS DE ZONA	1
	64980660	WIRING, BLWR/VAR PUMP CTRL CÂBLAGE, COMM.DE POMPE VAR	VERKABELUNG, VAR PUMP CTRL CABLAGGIO, CTRL POMPA VAR.	BEDRADING, VAR POMP CTRL CABLEADO, CONTROL BOMBA VAR	1
	64980661	WIRING, GAS-IGNITER-LWCO CÂBLE GAZ-ALLUMEUR-LWCO	KABEL, GAS-ZÜNDER-LWCO CABLAGGIO GAS-ACCEND.-LWCO	KABEL, GAS-ONTSTEKER-LWCO CABLE, GAS-ENCEND.-LWCO	1
	64980662	WIRING, POWER SUPPLY CABLE D'ALIMENTATION	STROMKABEL CAVO ALIMENTAZIONE	STROOMVOORZIENINGSKABEL CABLE DE ALIMENTACIÓN,	1
	64980663	WIRING, WPS, APS, TEMP/SW CÂBLAGE, WPS, APS, TEMP/SW	VERKABELUNG, WPS, APS, TEMP CABLAGGIO, WPS, APS, TEMP/S	BEDRADING, WPS, APS, TEMP/S CABLEADO, WPS, APS, TEMP/SW	1
	64980689	WIRING, WPS, APS, TEMP/SW CÂBLAGE, WPS, APS, TEMP/SW	VERKABELUNG, WPS, APS, TEMP CABLAGGIO, WPS, APS, TEMP/S	BEDRADING, WPS, APS, TEMP/S CABLEADO, WPS, APS, TEMP/SW	1
	64980690	WIRING, EBUS, FIELD SENSORS CABLE EBUS, CAPTEURS CHAMP	KABEL EBUS, FELDSENSOREN CAVI, EBUS, SENSORI AMB.	BEDRADING, EBUS, VELDSENSOR CABLE, EBUS, SENSORES CAMPO	1
	64980691	WIRING, EBUS, FIELD SENSORS CABLE EBUS, CAPTEURS CHAMP	KABEL EBUS, FELDSENSOREN CAVI, EBUS, SENSORI AMB.	BEDRADING, EBUS, VELDSENSOR CABLE, EBUS, SENSORES CAMPO	1
	64980692	WIRING, BLWR/VAR PUMP CTRL CÂBLAGE, COMM.DE POMPE VAR	VERKABELUNG, VAR PUMP CTRL CABLAGGIO, CTRL POMPA VAR	BEDRADING, VAR POMP CTRL CABLEADO, CONTROL BOMBA VAR	1
	64980693	WIRING, GAS, IGNITER, LWCO CÂBLE, GAZ-ALLUMEUR-LWCO	KABEL, GAS-ZÜNDER-LWCO CABLAGGIO GAS-ACCEND.-LWCO	KABEL, GASONTSTEKER-LWCO CABLE, GAS-ENCEND.-LWCO	1
	64980694	WIRING, POWER SUPPLY CÂBLE, COMM.VENT./VAR.POMPE	KABEL, LÜFTER/VAR.PUMPE CAVO CONTR.VENTILAT./POMPA VAR.	KABEL, VENT./VAR.POMP CTRL CABLE, VENT./CTRL BOMBA VAR	1
0881	65111933	CONNECTOR 2P CONNECTEUR 2 POLES	STECKER 2 POL. RAST 5 CONNETTORE 2 POLI	STEKKER 2-POLIG CONECTOR 2P	5
0882	64980476	FUSE, 2A, 32V, PLUG STYLE FUSIBLE, 2A, 32V, TYPE FICHE	SICHERUNG, 2 A, 32 V, STECKERART FUSIBILE, 2A, 32V, PLUG STYLE	ZEKERING, 2A, 32V, STEKKER STIJL FUSIBILE, 2A, 32V, TIPO ENCHUFE	0
	64980478	FUSE, 5A, ZONE PUMPS FUSIBLE, 5A, POMPES DE ZONE	SICHERUNG, 5A, ZONENPUMPEN FUSIBILE, 5A, POMPE DI ZONA	ZEKERING, 5A, ZONEPOMPEN FUSIBILE, 5A, BOMBAS DE ZONA	0
	64980479	FUSE, 6.3A, MAIN PCB, ACP FUSIBLE, 6.3A, CARTE PRINC., ACP	SICHERUNG, 6.3A, HAUPTPLATINE, ACP FUSIBILE, 6.3A, SCHEDA PRINCIPALE	ZEKERING, 6.3A, HOOFDPCB, ACP FUSIBILE, 6.3A, PCB PRINCIPAL, ACP	0
	64980480	FUSE, 2A, ZONE CONTROLLER, C3Z FUSIBLE, 2A, CONTR.DE ZONE, C3Z	SICHERUNG, 2A, ZONE CONTROL., C3Z FUSIBILE, 2A, SCHEDA GEST.ZONE, C3Z	ZEKERING, 2A, ZONE-CONTROLLER, C3Z FUSIBILE, 2A, CONTROL.DE ZONA, C3Z	0
0887	64980471	TRANSFORMER 24V, 40VA TRANSFORMATEUR 24V, 40VA	TRANSFORMATOR 24V, 40VA TRASFORMATORE 24V, 40VA	TRANSFORMATOR 24V, 40VA TRANSFORMADOR 24V, 40VA	1
0888	64980475	PCB, LOW VOLTAGE CONNECTION PCB, BORNE BASSE TENSION	LEITERPLATTE, NIEDERSPANN.SANSCH. SCHEDA CONNES.BASSO VOLT.	PCB, LAGE VOLTAGE-AANSLUITING PCB, BORNE BASSE TENSION	1
0889	64980499	PCB, 3-ZONE CONTROLLER CCI, CONTRÔLEUR 3 ZONES	PCB, 3-ZONEN-REGLER SCHEDA GESTIONE 3 ZONE	PCB, 3-ZONE-CONTROLLER PCB, CONTROLADOR DE 3 ZONAS	1
0890	64980477	FUSES HOLDER PORTE FUSIBLE	SICHERUNGSHALTER PORTAFUSIBILE	ZEKERINGHOUDER PORTAFUSIBILE	1
0891	64980526	WIRING GROMMET (45 mm) GUIDE-CABLE EN GOMME 45 mm	GUMMI-KABELFÜHRUNG, 45 mm GOMMINO PASSACAVI 45 mm	KABELGELEIDING RUBBER 45 mm GOMA GUIA CABLE 45 mm	1
0892	64980524	COVER, HIGH VOLTAGE BARRIER COUVER.DE BORNIER HAUTE TENS.	ABDECK.FÜR HOCHSPANNUNGSKLEM. COPERCHIO MORSET.ALTA TENS.	HOOGSPANNING KLEMMENBLOKDEKSEL CUBIER.BLOQUE DE TERM.ALTA TENS	1
0893	64980525	BRACKET, FUSE HOLDER SUPPORT, PORTE FUSIBLE	HALTER, SICHERUNGSHALTER STAFFA PORTAFUSIBILI	SUPPORT, PORTE FUSIBLE SOPORTE, PORTAFUSIBILE	1
0894	65111934-01	CONNECTOR 3P (x5) CONNECTEUR 3 POLES (x5)	STECKER 3-POLIG (x5) CONNETTORE 3 POLI (x5)	STEKKER 3-POLIG (x5) CONECTOR 3P (x5)	1
0895	6000085970	ROCKER SWITCH 20A @125VAC ROCKER SWITCH 20A @125VAC	ROCKER SWITCH 20A @125VAC ROCKER SWITCH 20A @125VAC	ROCKER SWITCH 20A @125VAC ROCKER SWITCH 20A @125VAC	0
0896	64980473	COVER, FIELD WIRING COUVERCLE DE LA PARTIE CÂBLAGE	ABDECKUNG DES VERKABELUNGSTEILS COPERCHIO PARTE CABLAGGI	DEKSEL VAN HET BEDRADINGSONDERD. CUBIERTA DE LA PARTE DE CABL.	0
0897	64980527	SPARE FUSE KIT (2 EACH) SPARE FUSE KIT (2 EACH)	SPARE FUSE KIT (2 EACH) KIT FUSIBILI RICAMBIO (2 CIASCUNO)	SPARE FUSE KIT (2 EACH) SPARE FUSE KIT (2 EACH)	0
0898	64980503	GASKET, HMI TO FRONT COVER JOINT, IHM A COUVERCLE AVANT	DICHTUNG, HMI AN FRONTABDECKUNG GUARNIZIONE HMI	PAKKING, HMI NAAR VOORKAP EMPAQUE, HMI A CUBIERTA DELANT.	0

		EN	DE	NL	
		FR	IT	ES	
5001	64980652	LP CONVERSION KIT KIT DE CONVERSION GPL	LP-UMBAU-KIT TRASFORMAZIONE GAS GPL	LP CONVERSIE KIT KIT DE CONVERSIÓN LP	1
	64980653	LP CONVERION KIT LP CONVERSION KIT	LP CONVERSION KIT TRASFORMAZIONE GAS GPL	LP CONVERSION KIT LP CONVERSION KIT	1
5002	64980218	OUTDOOR SENSOR SONDE EXTERIEURE FILAIRE	AUSSENFUEHLER SONDA ESTERNA CON CAVI	BUITENVOELER SONDA EXTERNA CON CABLES	1
5003	65118683	PRESSURE RELIEF VALVE SOUPAPE DE SECURITE	SICHERHEITSVENTIL VALVOLA DI SICUREZZA	VEILIGHEIDSGROEP VALVULA DE SEGURIDAD	1
5005	6000083427	PIPE, CPVC SYS 636, 4, 10 PIPE, CPVC SYS 636, 4, 10	PIPE, CPVC SYS 636, 4, 10 PIPE, CPVC SYS 636, 4, 10	PIPE, CPVC SYS 636, 4, 10 PIPE, CPVC SYS 636, 4, 10	0
	64980094	CPVC PIPE 3 in, SYSTEM 636, 5 in LONG TUYAU CPVC 3 in, SYST.636, 5 in LONG	CPVC-ROHR 3 IN, SYSTEM 636, 5 IN LANG TRONCHETTO CPVC 3 in L=5 in	CPVC-BUIS 3 in, SYSTEEM 636, 5 in LANG TUBO DE 3 in, SIST.636, 5 in LAR	0
5010	65118685	PRESSURE/TEMPERATURE GAUGE MANOMETRE / THERMOMETRE	THERMOHYDROMETER TERMIDROMETRO	MANOMETER - THERMOMETER TERMOMANOMETRO	1
5022	64980654	INSTALLATION KIT BOX, TFTN285 KIT D'INSTALLATION, TFTN285	INSTALLATIONSKIT-BOX, TFTN285 KIT INSTALLAZIONE, TFTN285	INSTALLATIEKIT, TFTN285 JUEGO DE INSTALACIÓN, TFTN285	1
	64980655	INSTALLATION KIT BOX KIT D'INSTALLATION	INSTALLATIONSKIT-BOX KIT INSTALLAZIONE	INSTALLATIEKIT, JUEGO DE INSTALACIÓN	1
5025	64980212	ROUND MESH, VENT SCREEN (3.375 in) MAILLE RONDE, ÉCRAN D'ÉV.(3.375 in)	RUND.MESH, ENTLÜFT.SBILDSCH.(3,375 in) PROTEZIONE SCAR.FUMI (3,375 in)	RONDE MESH, VENT-SCHERM (3.375 in) MALLA RED., PANT.DE VENT.(3,375 in)	0
5026	6000086460	BOTTOM WALL BRACKET VM, FTV BOTTOM WALL BRACKET VM, FTV	BOTTOM WALL BRACKET VM, FTV BOTTOM WALL BRACKET VM	BOTTOM WALL BRACKET VM, FTV BOTTOM WALL BRACKET VM, FTV	0
5027	64980464	WALL MOUNT BRACKET (UPPER) SUPPORT DE MONT.MURAL (SUP.)	WANDHALTERUNG (OBEN) STAFFA FISSAGGIO A MURO SUP.	MUURBEUGEL (BOVENSTE) SOPORTE DE MONT.EN PARED (SUP.)	0
5028	64980213	WALL MOUNT HARDWARE LEG BOLT BOULON DE JAMBE DE MAT.DE MONT.MUR.	BEINSCHRAUBE FÜR WANDHALTERUNG KIT (MONTAGGIO-BULLONI)	WANDMONTAGE HARDWARE BEENBOUT PERNO DE PIERNA DE MONT.EN PAR.	0
5029	64980214	WALL MOUNT HARDWARE PLASTIC PLUG BOUCHON PLASTIQUE MAT.MURAL	WALL MOUNT HARDWARE PLASTIC PLUG KIT (FISCHER)	WANDMONTAGE HARDW.PLASTIC PLUG ENCHUFE DE PLÁST.DE MONT.EN PARED	0
5030	64980215	WALL MOUNT HARDWARE WASHER KIT (RONDELLES GALVANISÉES)	KIT (VERZINKTE WHASHER) KIT (RONDELLE ZINCATE)	KIT (WASHER zink) KIT (ARANDELA GALVANIZADA)	0
5031	64980098	GAS VENT DIRECTLY BELOW DECAL PLAQUE D'AVERT.POUR ÉVENT DE GAZ	WARNSCHILD FÜR GASENTLÜFTUNG TARGHETTA AVVERTENZA GAS VENT	WAARSCHUWINGSPL.VOOR GASONTLUCHT. PLACA DE ADVERT.PARA VENTIL.	0
5033	64980539	ELBOW, BRASS, STREET 90, 3/4 in COUDE, LAITON, RUE 90, 3/4 in	WINKEL, MESSING, STREET 90, 3/4 Zoll GOMITO OTTONE 90° 3/4 in	ELLEBOOG, MESSING, STRAAT 90, 3/4 in CODO, LATÓN, CALLE 90, 3/4 in	0
5034	64980538	WALL MOUNTING HARDWARE KIT KIT DE MATÉRIEL DE MONT.MURAL	WANDMONTAGE-HARDWARE-KIT KIT FISSAGGIO A MURO	MUURMONTAGE HARDWARE KIT JUEGO DE TORNIL.PARA MONT.EN PARED	0
5035	64980459	AUTO AIR VENT, 1/2" NPT SOUPAPE DE VENTILATION 1/2 in NPT	ENTLÜFTUNGSVENTIL 1/2 in NPT VALVOLA SFIATO ARIA 1/2 in NPT	VENTILATORKLEP 1/2 in NPT VÁLV.VENTIL.DE AIRE AUTOM.1/2 in	1
5036	64980324	BRASS BUSHING, 1-1/2 in X 3/4 in DOUILLE EN LAITON, 1-1/2 in X 3/4 in	MESSINGBUCHSE, 1-1/2 in X 3/4 in BOCCOLA OTTONE, 1-1/2 in X 3/4 in	MESSING BUS, 1-1/2 in X 3/4 in BUJE DE LATÓN, 1-1/2 in X 3/4 in	1
	64980495	BRASS BUSHING, 1-1/4 in X 3/4 in DOUILLE EN LAITON, 1-1/4 in X 3/4 in	MESSINGBUCHSE, 1-1/4 in X 3/4 in BOCCOLA OTTONE, 1-1/4 in X 3/4 in	MESSING BUS, 1-1/4 in X 3/4 in BUJE DE LATÓN, 1-1/4 in X 3/4 in	0
5037	6000084468	BRASS TEE 1-1-2INX1-2INX1-1-2IN TÉ EN LAITON 1-1-2INX1-2INX1-1-2IN	MESSING-T-STÜCK 1-1-2INX1-2INX1-1-2IN RACC. T OTT.1-1-2 IN X 1-2 IN X 1-1-2 IN	MESSING T-STUK 1-1-2INX1-2INX1-1-2IN TÉ EN LAITON 1-1-2INX1-2INX1-1-2IN	0
	64980496	BRASS TEE, 1-1/4 IN X 1/2 IN X 1-1/4 IN TÉ EN LAITON, 1-1/4inX1/2inX1-1/4in	MESSING-T-STÜCK, 1-1/4inX1/2inX1-1/4in RACC.T OTT.1-1/4 INX1/2 INX1-1/4 IN	MESSING T-STUK, 1-1/4" X 1/2" X 1-1/4" T DE LATÓN, 1-1/4 IN X 1/2 IN X 1-1/4 IN	0
5038	64980665	BRASS CAP, 1.5NPT CAPUCHON EN LAITON, 1.5NPT	MESSINGKAPPE, 1,5 NPT TAPPO OTTONE, 1.5NPT	MESSING DOP, 1.5NPT TAPA DE LATÓN, 1.5NPT	1
	64980666	BRASS CAP, 1.25NPT CAPUCHON EN LAITON, 1.25NPT	MESSINGKAPPE, 1,25 NPT TAPPO OTTONE, 1.25NPT	MESSING DOP, 1.25NPT TAPA DE LATÓN, 1.25NPT	1
5040	6000086233	VENT SCREEN, 4.375 stainless steel mesh VENT SCREEN, 4.375 stainless steel mesh	VENT SCREEN, 4.375 stainless steel mesh VENT SCREEN, 4.375 stainless steel mesh	VENT SCREEN, 4.375 stainless steel mesh VENT SCREEN, 4.375 stainless steel mesh	0
5041	6000083510	CONDENSING TRAP KIT CONDENSING TRAP KIT	CONDENSING TRAP KIT CONDENSING TRAP KIT	CONDENSING TRAP KIT CONDENSING TRAP KIT	0
5042	6000083970	SCREW, ¼-14 X 3/8" VIS, ¼-14 X 3/8 in	SCHRAUBE, ¼-14 X 3/8 in VITE, ¼-14 X 3/8 in	SCHROEF, ¼-14 X 3/8 in TORNILLO, ¼-14 X 3/8 in	0

IDENTIFICATION PLATE

SERIAL NUMBER

16 Characters :

