



325 COMMERCE DRIVE
 MT VERNON, OH 43050
 800-253-8236

SPECIFICATION DATA SHEET

DATE: 9-13-12
 PREPARED BY: RL

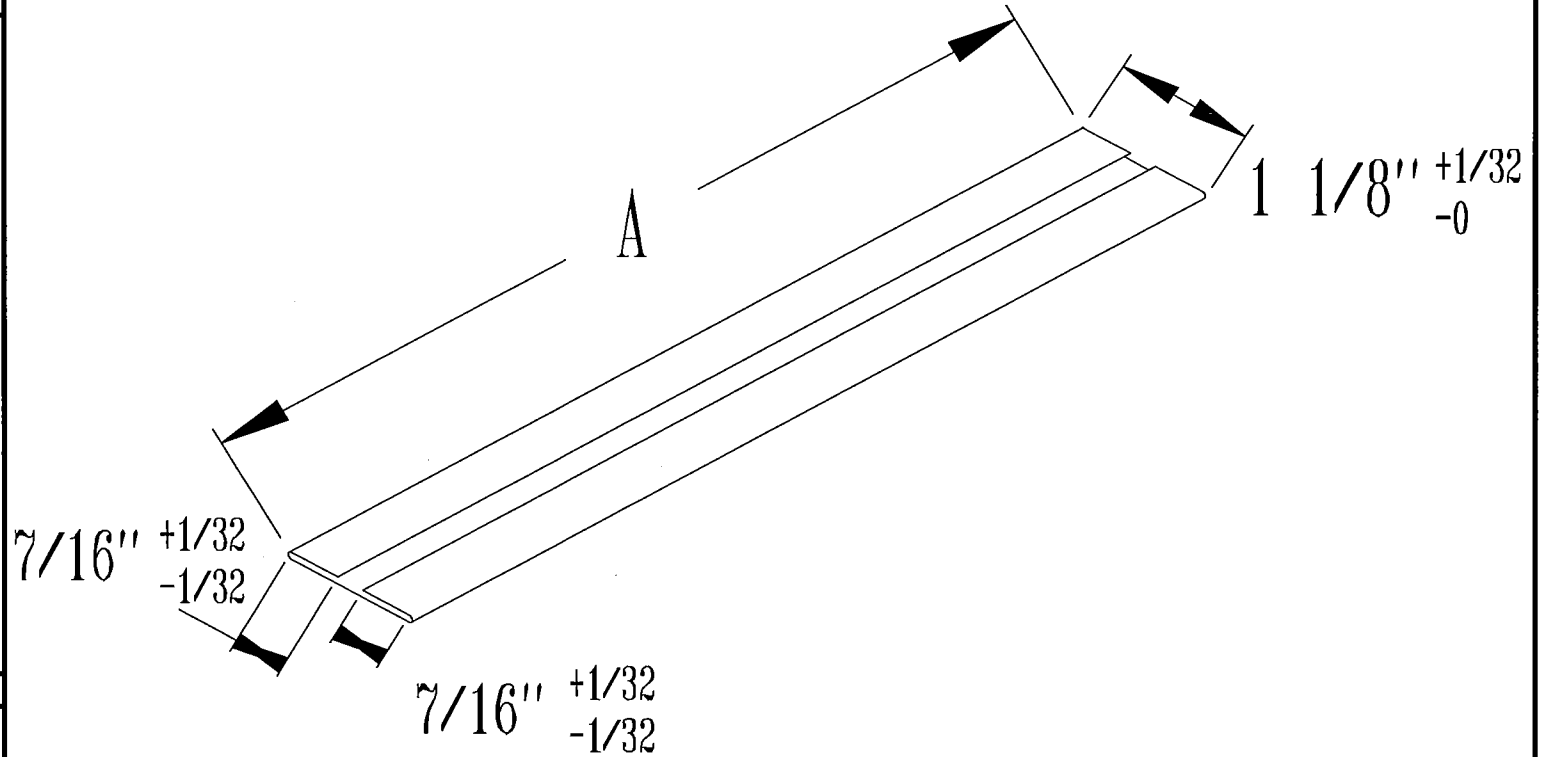
MODEL NO. 517

DRIVE CLEATS

STANDARD MODEL

DIMENSIONS

SIZE	A
8"	10"
10"	12"
12"	14"
14"	16"
18"	18"
20"	20"
22"	22"
24"	24"
26"	26"
28"	28"
30"	30"
36"	36"
48"	48"
60"	60"



MATERIAL SPECIFICATIONS

HOT DIPPED GALVANIZED STEEL.
 PER ASTM A 653 CSB.

28GA & 26GA AVAILABLE

OPTIONS

JOB: _____
 LOCATION: _____
 CONTRACTOR: _____
 ENGINEER: _____
 NOTES: _____