

## AquaHeat 2015 11/4" ProMix Manifold

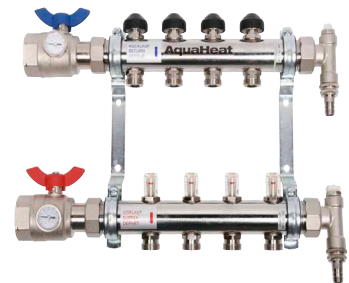
# AquaHeat

JOB		REPRESENTATIVE	
ENGINEER		ORDER #	DATE
CONTRACTOR		SUBMITTED BY	DATE
PAGE #		APPROVED BY	DATE

Qty	Part #	Zones	Size	Comments
			11/4"	
			11/4"	

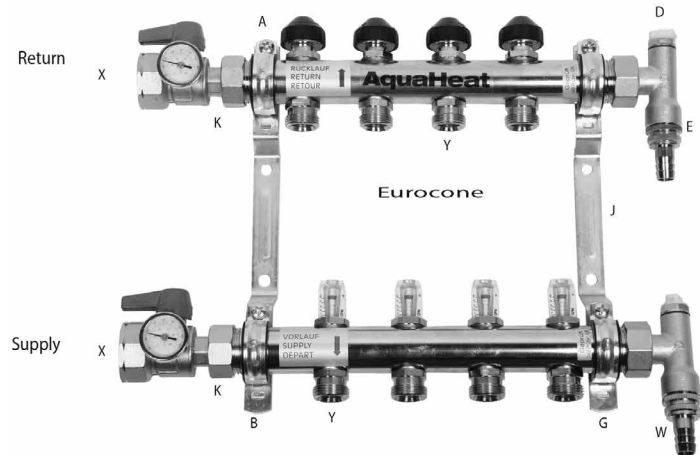
### 2015 11/4" ProMix Manifold

The 2015 series manifold is made up of precision matched components with flat sealed connections allowing for easy mounting of all accessories such as ball valves, filling, purging and venting end pieces. The unit is designed for heavy duty commercial applications and can be installed in a manifold box without any problem. All manifolds are pressure tested after assembly.



Technical Data	
Maximum Operating Temperature	194°F
Minimum Operating Temperature	4°F
Maximum Operating Pressure	87 PSI
Flow Rate Per Zone	0 - 4 GPM

Materials	
Fittings	Hot-Forged Brass Ms58 -Ni Plated
Manifold Tube	Stainless Steel 1.4301
Flowmeter	Glass Fiber-reinforced & Temperature Resistant Plastic
Spring	Stainless Steel
O-ring seals	CPDM Elastomers
Flat Seals	AFM34 (asbestos free)
Valve seats	PTFE



Manifold Model\ Dimensions	Manifold										Threads		
	H	A	B	C	D	E	W	G	J	K	X	Y	Z
ProMix 2015 Stainless	~8 1/4"	2 3/16"	3 1/8"	2 3/16"	1 7/8"	2 3/4"	3 3/4"	N/A	1 11/16"	3 7/8"	1 1/4"	3/4"	1 1/4"

Manifold zones	2	3	4	5	6	7	8	9	10
Length [in]	7 1/4"	9 1/4"	11 1/4"	13 1/4"	15 1/8"	17 1/8"	19 1/8"	21 1/16"	23"