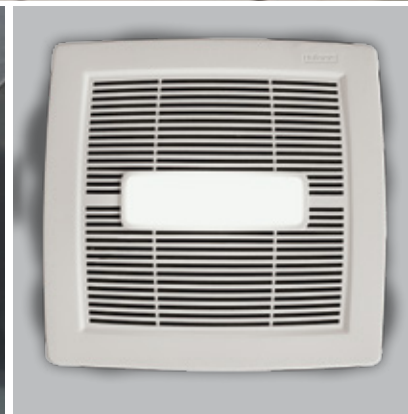


NuTone®

Introducing the NuTone InVent™ SERIES

FLEXIBILITY for new construction
and room-side retrofit from one fan.



InVent™ SERIES A patent-pending

Versatile Installation. Airtight Performance. LED Lighting.

InVent Series gives professionals smart options for new construction or room-side retrofits in one, hard-working product line. InVent is about innovations such as FoldAway™ mounting ears and TrueSeal™ Damper Technology that improves building airtightness like never before. With fresh grille designs and a full range of operating points, there's an InVent Series solution for every installation.



More features from one fan.



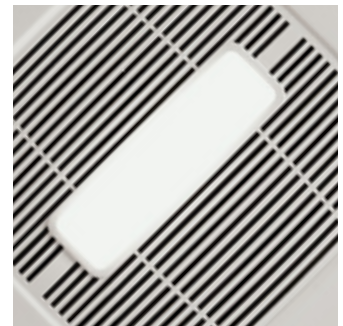
FoldAway™ Mounting Ears are precisely positioned for new construction and fold flat for room-side retrofits. Every installation can be handled more efficiently.



With our TrueSeal™ Damper Technology, InVent fans reduce air leakage by up to 50% compared to competitive models¹, resulting in better home performance via blower door tests.



EzDuct™ Connector enables room-side installation without attic access. Attach the housing, pull the duct through, attach the EzDuct™ Connector and reset it with one screw.



LED Lighting offers greater energy efficiency and longevity, and adds a unique design detail to this hard-working fan. 11-watt, 800 Lumens integrated LED module lasts up to 25,000 hours.

¹ Testing reflects total fan housing air tightness. See NuTone.ca for details.

revolution of mid-range fans.

InVent™ Fan & Fan/Lights



Fan Models: AN80C, AN110C, AEN80, AEN110C, AERN50C, AERN80BC



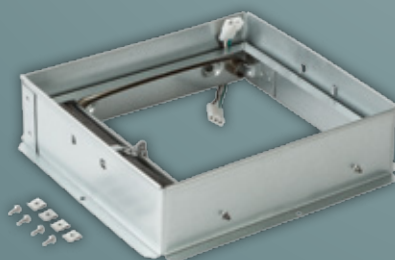
LED Fan/Light with 11-watt, 800 Lumens, 3000K, 80 CRI integrated module. Models: AEN80L, AERN110LC



Incandescent Fan/Light with A19 Base (bulb not included). Model: ARN70LC

InVent™ Series Accessories

A range of accessories ensures a custom fit in any application. Choose optional duct connectors, a radiation damper and a metal grille for commercial installations, and hanger bars for exact positioning.



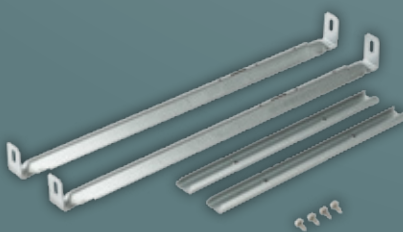
Model RDM1
Radiation Damper



Model MQF4
With our QFlow™ Duct Connector, InVent fans reduce air leakage by up to 60% compared to competitive models¹, offering an extremely tight seal when closed and completely open airflow when open.



Model MMG
Metal Grille



Model MHB4
Hanger Bars²



Model MMDC4
Metal Duct Connector

¹ Testing reflects total fan housing air tightness. See NuTone.ca for details.

² Hanger bars are included with the AN000HFC housing pack. They can be purchased separately for use with single packs.

INVENT FAN MODELS

New Specifications				Replacing Specifications		
New Model	CFM	Sones	ENERGY STAR®	Replacing Model	CFM	Sones
AERN50C	50	0.5	Yes	50NT	50	1.5
AERN80BC	80	1.5	Yes	80NT	80	2.0
AEN80	80	0.8	Yes	QTREN080C/QTREN090C	80/90	0.8/1.0
AEN110C	110	1.0	Yes	QTREN110C	110	1.3
AN80C	80	2.0	No	671SP	90	2.5
AN110C	110	3.0	No	672SP	110	4.0

INVENT FAN/LIGHT MODELS

New Specifications					Replacing Specifications			
New Model	CFM	Sones	Lighting	ENERGY STAR®	Replacing Model	CFM	Sones	Lighting
AEN80L	80	0.8	LED	Yes	QTREN090FLC	90	1.0	Fluorescent
AERN110LC	110	1.0	LED	Yes	QTREN110FLC	110	1.3	Fluorescent
ARN70LC	70	2.0	Incandescent A19 Base *	No	769RL	70	3.0	Incandescent

* Bulb Not Included

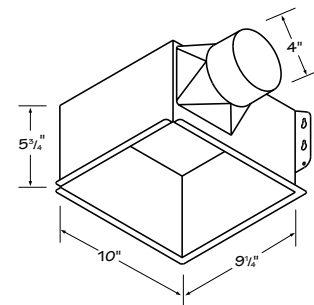
INVENT FAN FINISH PACKS (MASTER PACK OF 4 UNITS)

New Specifications				Replacing Specifications		
New Model	CFM	Sones	ENERGY STAR®	Replacing Model	CFM	Sones
AEN50F	50	0.5	Yes	F50NT	50	1.5
AEN80BF	80	1.5	Yes	F80NT	80	2.0
AN80FC	80	2.0	No	F671	90	2.5
AN110FC	110	3.0	No	F672	110	4.0

INVENT HOUSING PACKS (MASTER PACK OF 4 UNITS)

New Model	Replacing Model	Description
AN000HFC	H800	Fan Housing with Hanger Bars

NuTone InVent™ Series Project Packs. Keep your job on schedule and your inventory safe. Even if the final fan product has not been selected, a project pack enables you to install a fan housing now and choose the right-sized finish pack later. You won't have an open box on the jobsite with a motor and grille that could be lost or damaged.



NuTone®

NuTone.ca 1140 Tristar Drive Mississauga, Ontario L5T 1H9
Customer Service 1-877-896-1119