

EV130 STANDARD



INDOOR UNIT



SPECIFICATIONS

Ventilation Type:
Static plate, heat and humidity transfer

Typical Airflow Range: 50-140 CFM

Standard Features:
Painted cabinet
Line-cord power supply
Low-voltage circuit for controls
Unit may be mounted in any orientation

Controls:
On board 24 VAC transformer/relay package with switched dry contacts

Filters:
Total qty. 2, MERV 8, spun-polyester media:
10 1/2" x 10 1/2" x 1"

Unit Dimensions & Weight:
33 1/2" L x 13 1/4" W x 20" H
48 lbs.

Max. Shipping Dimensions & Weight (in carton):
32" L x 22" W x 18" H
60 lbs.

Motor(s):
Qty. 1, Double-shaft standard motor

Accessories:
Backdraft damper 6"
Wall cap 6" - white, brown
Percentage timer control (PTL)
Push-button point-of-use controls (PBL), PTL req'd.
Percentage timer control with furnace interlock (FM)

Note: Electric Duct Heater is not available on the EV130.

ELECTRICAL DATA

HP	Volts	HZ	Phase	Input Watts	FLA
0.1	120	60	Single	102 @ 130 CFM	1.3

UNIT PERFORMANCE

Airflow CFM	ESP in H ₂ O
79	0.60
104	0.50
126	0.40
137	0.30
153	0.20
165	0.10

CORE PERFORMANCE

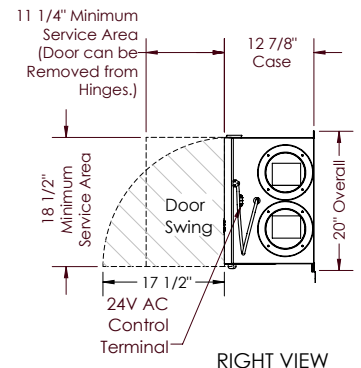
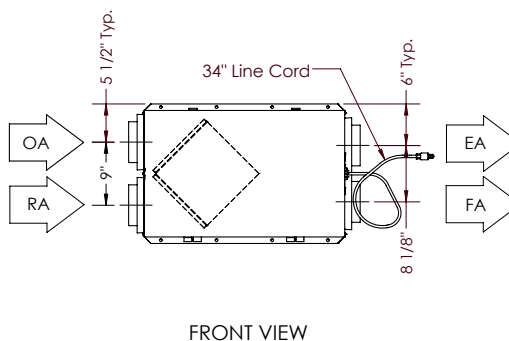
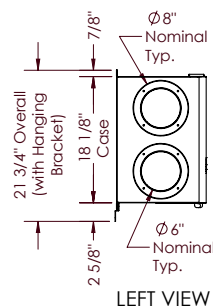
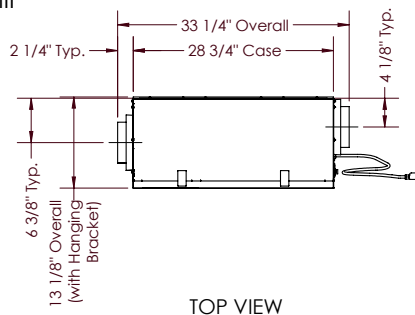
Temp EFF%	Total EFF% Winter/Summer*
78	73/60
75	69/55
72	66/50
71	64/48
68	61/45
67	59/43

* See HVI certification ratings on page 135 of RenewAire's Full Line Volume XVI Catalog.

UNIT DIMENSIONS

AIRFLOW CONFIGURATION
Available as shown in dimension drawing.

UNIT MOUNTING & APPLICATION
Can be mounted in any orientation. RA/EA airstream can be switched with OA/FA airstream.



ABBREVIATIONS
EA: Exhaust Air to outside
OA: Outside Air Intake
RA: Room Air to be exhausted
FA: Fresh Air to inside

INSTALLATION ORIENTATION
Unit may be installed in any orientation.

NOTE
1. UNLESS OTHERWISE SPECIFIED, DIMENSIONS ARE ROUNDED TO THE NEAREST EIGHTH OF AN INCH.
2. SPECIFICATIONS MAY BE SUBJECT TO CHANGE WITHOUT NOTICE.

Specifications may be subject to change without notice.