

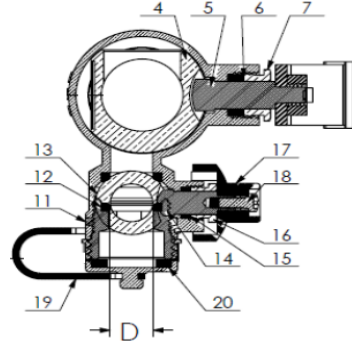
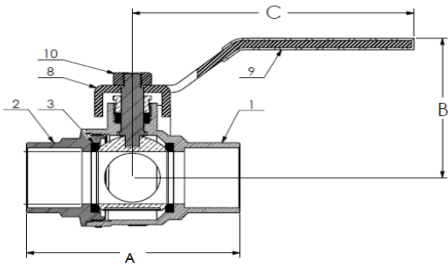


H-x061 Series

Pro-Pal Ball Drain
 Full Port Forged Brass Ball Valve
 w/ Hi-Flow Hose Drain,
 Reversible Handle
 & Adjustable Packing Glands



NO.	DESCRIPTION	MATERIAL
1	Body	Brass
2	End Cap	Brass
3	Seat	PTFE
4	Ball	Brass HCP
5	Stem	Brass
6	Stem Seal	PTFE
7	Packing Gland	Brass
8	Lever Handle	Steel CP
9	Handle Jacket	Vinyl
10	Handle Nut	Stainless Steel
11	End Cap	Brass
12	Seat	PTFE
13	Ball	Brass HCP
14	Stem	Brass
15	Stem Seal	PTFE
16	Packing Gland	Brass
17	Handle	Enamel Coated Aluminum
18	Handle Screw	Brass
19	Cap & Strap	Brass W/ PVC Strap
20	Washer	EPDM



Designed for residential, commercial, or industrial use. This approved Webstone valve is actuated by a blowout proof stem.

ITEM#	Connection Type	SIZE (in)	Max Temp	Pressure Rating	A	B	C	D
H-40612	FIP	1/2	350°F Max	600 PSI CWP Max	2.50	2.00	3.88	0.50
H-40613	FIP	3/4	350°F Max	600 PSI CWP Max	2.63	2.06	3.88	0.50
H-40614	FIP	1	350°F Max	600 PSI CWP Max	3.25	2.63	4.63	0.50
H-40615	FIP	1 1/4	350°F Max	600 PSI CWP Max	3.50	3.00	4.63	0.75
H-40616	FIP	1 1/2	350°F Max	600 PSI CWP Max	3.88	3.50	5.63	0.75
H-40617	FIP	2	350°F Max	600 PSI CWP Max	4.38	4.00	5.63	0.75
H-50612	SWT	1/2	250°F Max	600 PSI CWP Max	2.00	2.00	3.88	0.50
H-50613	SWT	3/4	250°F Max	600 PSI CWP Max	2.88	2.06	3.88	0.50
H-50614	SWT	1	250°F Max	600 PSI CWP Max	3.56	2.63	4.63	0.50
H-50615	SWT	1 1/4	250°F Max	600 PSI CWP Max	3.88	3.00	4.63	0.75
H-50616	SWT	1 1/2	250°F Max	600 PSI CWP Max	4.63	3.50	5.63	0.75
H-50617	SWT	2	250°F Max	600 PSI CWP Max	5.50	4.00	5.63	0.75
H-54612	SWT × FIP	1/2	250°F Max	500 PSI CWP Max	2.06	2.00	3.88	0.50
H-54613	SWT × FIP	3/4	250°F Max	500 PSI CWP Max	2.75	2.06	3.88	0.50
H-54614	SWT × FIP	1	250°F Max	500 PSI CWP Max	3.38	2.63	4.63	0.50
H-80612	Press	1/2	250°F Max	250 PSI CWP Max	3.75	1.94	3.88	0.50
H-80613	Press	3/4	250°F Max	250 PSI CWP Max	4.44	2.13	3.88	0.50
H-80614	Press	1	250°F Max	250 PSI CWP Max	4.81	2.63	4.63	0.50
H-80615	Press	1 1/4	250°F Max	250 PSI CWP Max	5.50	3.00	4.63	0.75
H-80616	Press	1 1/2	250°F Max	250 PSI CWP Max	5.88	3.56	5.63	0.75
H-80617	Press	2	250°F Max	250 PSI CWP Max	7.00	3.94	5.63	0.75
H-84613	Press × FIP	3/4	250°F Max	250 PSI CWP Max	0.75	3.52	2.63	3.50
H-84614	Press × FIP	1	250°F Max	250 PSI CWP Max	1.00	3.95	2.63	4.65